



Distributor of Würth Electronics Inc: Excellent Integrated System Limited

Datasheet of 64900313722DEC - TERMINAL MALE WR-MPC4 22-16AWG

Contact us: sales@integrated-circuit.com Website: www.integrated-circuit.com

Excellent Integrated System Limited

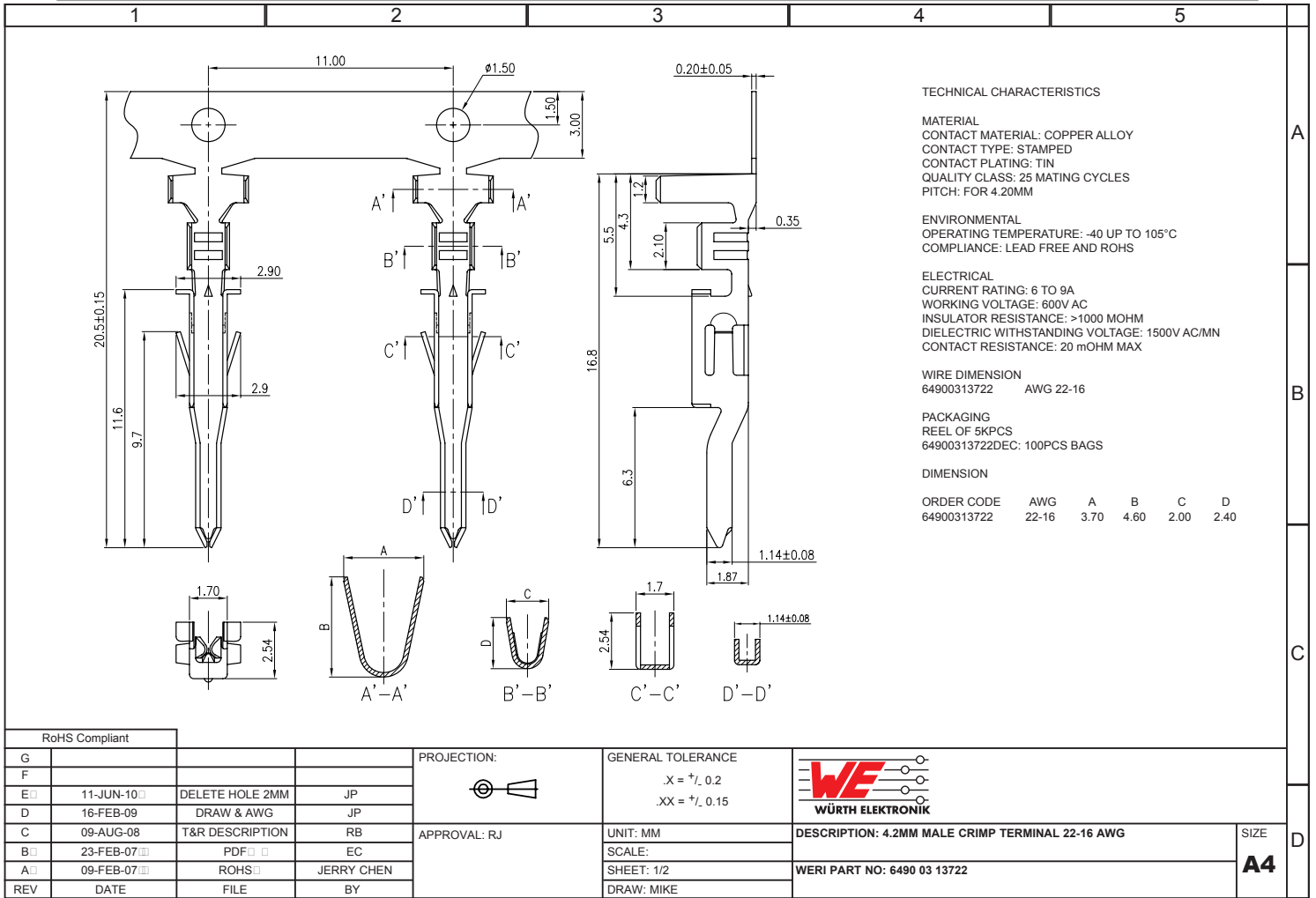
Stocking Distributor

Click to view price, real time Inventory, Delivery & Lifecycle Information:

[Würth Electronics Inc](#)
[64900313722DEC](#)

For any questions, you can email us directly:

sales@integrated-circuit.com



RoHS Compliant			
G			
F			
E	11-JUN-10	DELETE HOLE 2MM	JP
D	16-FEB-09	DRAW & AWG	JP
C	09-AUG-08	T&R DESCRIPTION	RB
B	23-FEB-07	PDF	EC
A	09-FEB-07	ROHS	JERRY CHEN
REV	DATE	FILE	BY

PROJECTION:	GENERAL TOLERANCE
	.X = +/-.0.2 .XX = +/-.0.15
APPROVAL: RJ	UNIT: MM
	SCALE:
	SHEET: 1/2
	DRAW: MIKE

	DESCRIPTION: 4.2MM MALE CRIMP TERMINAL 22-16 AWG	SIZE
	WERI PART NO: 6490 03 13722	A4