

Excellent Integrated System Limited

Stocking Distributor

Click to view price, real time Inventory, Delivery & Lifecycle Information:

[Phoenix Contact](#)
[1503412](#)

For any questions, you can email us directly:

sales@integrated-circuit.com



Extract from the online catalog


SACB- 4/3-L-C-M8

Order No.: 1503412



<http://eshop.phoenixcontact.de/phoenix/treeViewClick.do?UID=1503412>

Sensor/actuator box, M8 socket, Number of slots: 4, Number of positions: 3, Slot assignment: Single, Status indication: Yes, pnp 180°, Shielding: No

Commercial data	
GTIN (EAN)	 4 017918 976408
Note	Made-to-order
sales group	D102
Pack	1 pcs.
Customs tariff	85366990
Catalog page information	Page 113 (PC-2009)

Product notes

WEEE/RoHS-compliant since:
11/10/2006



<http://www.download.phoenixcontact.com>
 Please note that the data given here has been taken from the online catalog. For comprehensive information and data, please refer to the user documentation. The General Terms and Conditions of Use apply to Internet downloads.

Technical data

General data	
Rated voltage	24 V DC
Max. operating voltage U_{max}	30 V DC
Current carrying capacity per I/O signal	2 A
Current carrying capacity per slot	2 A

SACB- 4/3-L-C-M8 Order No.: 1503412

<http://eshop.phoenixcontact.de/phoenix/treeViewClick.do?UID=1503412>

Total rated current	8 A
Number of positions	3
Number of slots	4
Degree of protection	IP65/IP67
Inflammability class acc. to UL 94	V0
Ambient temperature (operation)	-30 °C ... 80 °C
Sensor/actuator connection system	M8 socket

Local diagnostics function

Local diagnostics	Supply voltage Green LED
	Status display I/O Yellow LED

Master cable data

Type of connection	Pluggable screw connection
Conductor cross-section min. (signal)	0.14 mm ²
Conductor cross-section max. (signal)	1.5 mm ²
Conductor cross-section AWG min. (signal)	26
Conductor cross-section AWG max. (signal)	16
Conductor cross-section min. (energy)	0.14 mm ²
Conductor cross-section max. (energy)	1.5 mm ²
Conductor cross-section AWG min. (energy)	26
Conductor cross-section AWG max. (energy)	16
External cable diameter min.	7 mm
External cable diameter max.	12 mm
Stripping length	7 mm
Tightening torque, cover screw	1 Nm
Tightening torque, union nut	2.5 Nm
Tightening torque slot sensor/actuator cable	0.2 Nm
Tightening torque screw plug	0.2 Nm

Insulation material

Housing material	PBT
Material of the moulding mass	PUR
Contact material	CuSn
Contact surface material	Ni/Au
Contact carrier material	PA
Material of contact, master cable side	CU alloy

SACB- 4/3-L-C-M8 Order No.: 1503412

<http://eshop.phoenixcontact.de/phoenix/treeViewClick.do?UID=1503412>

Material of contact surface, master cable side	Gold-plated
Material of the contact carrier on the master cable side	PA 66 V0
Material of threaded sleeve	Cu alloy
Material of threaded sleeve surface	Nickel-plated
Material, O-ring	NBR

Pin assignment

Slot/position = Wire color or connection	1 / 4 (A) = 1 / 4
	2 / 4 (A) = 2 / 4
	3 / 4 (A) = 3 / 4
	4 / 4 (A) = 4 / 4
	1-4 / 1 (+ 24 V) = U _N
	1-4 / 3 (0 V) = 0 V

Certificates / Approvals



Certification

CUL, UL

Accessories

Item	Designation	Description
Connector hood		
1521229	SACB-C-H180- 4/3-M8	Connector hood with an integrated connector, for M8 sensor/ actuator boxes with pluggable screw connection and four slots, single-occupancy
General		
1517576	SACB- 4X0,34/2X0,75-50 PUR	Master cable for sensor/actuator boxes, without PE conductor, unshielded, material PUR/PVC, 6-pos., 4 x 0.34 mm ² and 2 x 0.75 mm ² , length: 50 m
Marking		
0809984	ZBF10:SO/CMS	Zack marker strip, flat, in 10 mm pitch, labeled according to customer specifications, 10-section, divisible, color: White

SACB- 4/3-L-C-M8 Order No.: 1503412

<http://eshop.phoenixcontact.de/phoenix/treeViewClick.do?UID=1503412>

0809997	ZBF10:UNBEDRUCKT	Zack marker strip, flat, in 10 mm pitch, unprinted, 10-section, for individual labeling with M-PEN 0,8, X-PEN, or CMS-P1-PLOTTER
---------	------------------	--

Protection and sealing elements

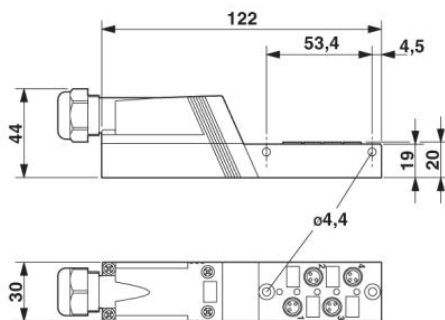
1682540	PROT-M8	An M8 screw plug for the unoccupied M8 sockets of the sensor/ actuator cable, boxes and flush-type connectors
---------	---------	---

Tools

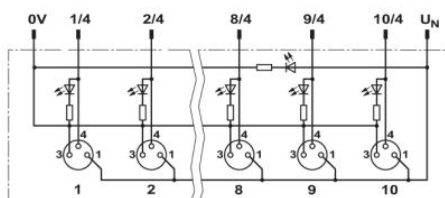
1208461	SAC BIT M8-D10	Nut for assembling sensor/actuator cables with M8 connector and for M8 connectors with QUICKON fast connection technology, for 4 mm hexagonal drive
1208474	SACC BIT M8-D12	Nut for assembling SACC M8 connectors for free assembly with longitudinal knurl, excluding M8 connectors with QUICKON fast connection technology, for 4 mm hexagonal drive
1206463	SZK PZ2 VDE	Screwdriver, PZ crosshead, VDE insulated, size: PZ 2 x 100 mm, 2-component grip, with non-slip grip
1208487	TSD 02 SAC	Torque screwdriver, with preset torque of 0.2 Nm and 4 mm hexagonal drive for M8 connectors

Diagrams/Drawings

Dimensioned drawing



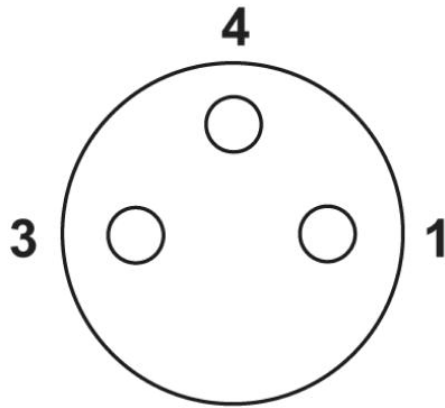
Circuit diagram



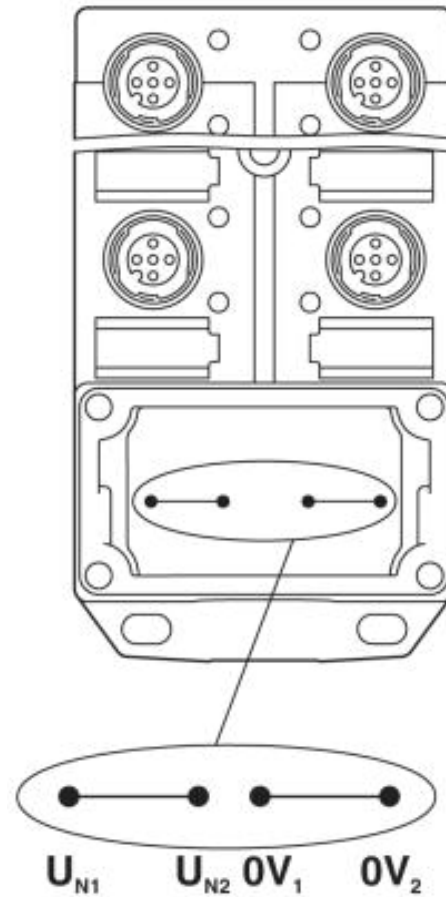
SACB- 4/3-L-C-M8 Order No.: 1503412

<http://eshop.phoenixcontact.de/phoenix/treeViewClick.do?UID=1503412>

Schematic diagram



M8 slot, socket, 3-pos.

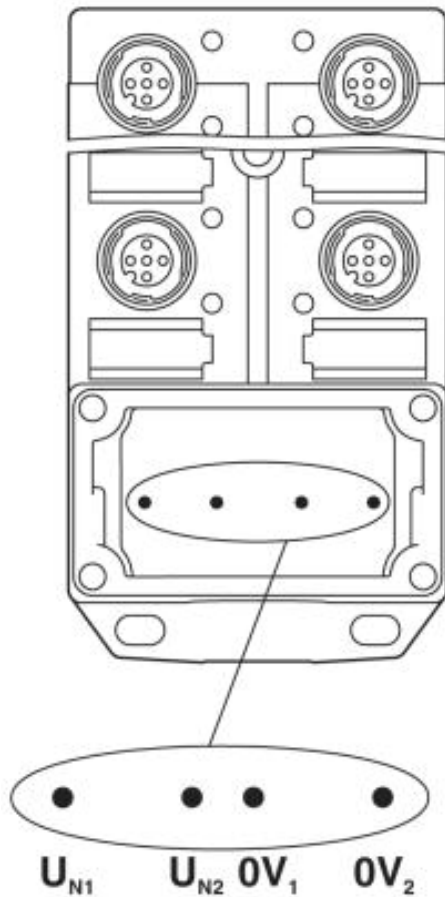


Potential U_{N1} and U_{N2} bridged

SACB- 4/3-L-C-M8 Order No.: 1503412

<http://eshop.phoenixcontact.de/phoenix/treeViewClick.do?UID=1503412>

Electrically isolated



SACB- 4/3-L-C-M8 Order No.: 1503412

<http://eshop.phoenixcontact.de/phoenix/treeViewClick.do?UID=1503412>

Address

PHOENIX CONTACT Deutschland GmbH
Flachsmarktstr. 8
32825 Blomberg, Germany
Phone +49 5235 3 12000
Fax +49 5235 3 41200
<http://www.phoenixcontact.de>



© 2010 Phoenix Contact
Technical modifications reserved;