

Excellent Integrated System Limited

Stocking Distributor

Click to view price, real time Inventory, Delivery & Lifecycle Information:

[Phoenix Contact](#)
[1516755](#)

For any questions, you can email us directly:

sales@integrated-circuit.com



Extract from the online catalog

SACB-6/12-L-C GG SCO

Order No.: 1516755




<http://eshop.phoenixcontact.de/phoenix/treeViewClick.do?UID=1516755>

Sensor/actuator box header, M12-SPEEDCON-socket, Number of slots: 6, Number of positions: 5, Slot assignment: Double, Status indication: Yes, pnp, Shielding: No



Commercial data

GTIN (EAN)	 4 017918 967482
sales group	D100
Pack	1 pcs.
Customs tariff	85366990
Catalog page information	Page 117 (PC-2009)

Product notes

WEEE/RoHS-compliant since:
06/19/2006



<http://www.download.phoenixcontact.com>
 Please note that the data given here has been taken from the online catalog. For comprehensive information and data, please refer to the user documentation. The General Terms and Conditions of Use apply to Internet downloads.

Technical data

General data

Rated voltage	24 V DC
Max. operating voltage U_{max}	30 V DC
Current carrying capacity per I/O signal	2 A
Current carrying capacity per slot	4 A

SACB-6/12-L-C GG SCO Order No.: 1516755

<http://eshop.phoenixcontact.de/phoenix/treeViewClick.do?UID=1516755>

Total rated current	10 A
	2x 8 A (For electrical isolation)
Number of positions	5
Number of slots	6
Degree of protection	IP65/IP67/IP69K
Inflammability class acc. to UL 94	V0
Ambient temperature (operation)	-30 °C ... 80 °C
Sensor/actuator connection system	M12-SPEEDCON-socket

Local diagnostics function

Local diagnostics	Supply voltage per module Green LED
	Status display I/O Yellow LED

Master cable data

Type of connection	Pluggable screw connection
Tightening torque slot sensor/actuator cable	0.4 Nm
Tightening torque screw plug	0.4 Nm

Insulation material

Housing material	PBT
Material of the moulding mass	PUR
Contact material	Cu alloy
Contact surface material	Gold-plated
Contact carrier material	PA
Material of contact, master cable side	CU alloy
Material of contact surface, master cable side	Gold-plated
Material of the contact carrier on the master cable side	PA 66 V0
Material of threaded sleeve	Zinc die-cast
Material of threaded sleeve surface	Nickel-plated
Material, O-ring	NBR

Pin assignment

Slot/position = Wire color or connection	1 / 4 (A) = 1 / 4
--	-------------------

SACB-6/12-L-C GG SCO Order No.: 1516755

<http://eshop.phoenixcontact.de/phoenix/treeViewClick.do?UID=1516755>

	1 / 2 (B) = 1 / 2
	2 / 4 (A) = 2 / 4
	2 / 2 (B) = 2 / 2
	3 / 4 (A) = 3 / 4
	3 / 2 (B) = 3 / 2
	4 / 4 (A) = 4 / 4
	4 / 2 (B) = 4 / 2
	5 / 4 (A) = 5 / 4
	5 / 2 (B) = 5 / 2
	6 / 4 (A) = 6 / 4
	6 / 2 (B) = 6 / 2
	1-6 / 1 (+ 24 V) = U _N
	1-6 / 3 (0 V) = 0 V
	1-6 / 5 (PE) = PE

Certificates / Approvals



Certification

CUL, UL

Accessories

Item	Designation	Description
Marking		
0804963	SS-ZB 17,5 WH	Contact marker Zack strip, unprinted: 5-section, for snapping into equipment and components with special marker carrier, can be labeled with M-PEN, CMS system or label BMKT 17.5 x 8, lettering field: 17.5 x 8 mm, color: white

Protection and sealing elements

1553129	PROT-MS SCO	M12 screw plug with SPEEDCON quick locking for unoccupied M12 sockets of the sensor/actuator cables, boxes and flush-type connectors
---------	-------------	--

SACB-6/12-L-C GG SCO Order No.: 1516755
<http://eshop.phoenixcontact.de/phoenix/treeViewClick.do?UID=1516755>

Tools

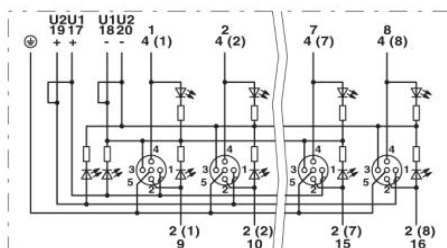
1208432	SAC BIT M12-D15	Nut for assembling sensor/actuator cables with M12 connector and for M12 connectors with QUICKON fast connection technology, for 4 mm hexagonal drive
1208445	SACC BIT M12-D20	Nut for assembling SACC M12 connectors for free assembly, excluding M12 connectors with QUICKON fast connection technology, for 4 mm hexagonal drive
1206450	SZK PZ1 VDE	Screwdriver, PZ crosshead, VDE insulated, size: PZ 1 x 80 mm, 2-component grip, with non-slip grip
1208429	TSD 04 SAC	Torque screwdriver, with preset torque of 0.4 Nm and 4 mm hexagonal drive for M12 connectors

Additional products

Item	Designation	Description
Connector hood		
1516687	SACB-C-H180 6-12 SCO PUR/	Connector hood, M12-SPEEDCON-socket, Number of slots: 6, Slot assignment: Double, Status indication: No 180°, PUR/PVC, Cable length: 0.5 m ... 50 m, Shielding: No
1516713	SACB-C-H180 8/16 SCO	Connector hood with an integrated connector, for M12 sensor/ actuator boxes with metal thread and pluggable screw connection, for 4, 6 or 8 slots
1516616	SACB-C-H180-6/12- 5,0PUR SCO	Connector hood, M12-SPEEDCON-socket, Number of slots: 6, Slot assignment: Double, Status indication: No 180°, PUR/PVC, Cable length: 5 m, Shielding: No
1516629	SACB-C-H180-6/12-10,0PUR SCO	Connector hood, M12-SPEEDCON-socket, Number of slots: 6, Slot assignment: Double, Status indication: No 180°, PUR/PVC, Cable length: 10 m, Shielding: No

Diagrams/Drawings

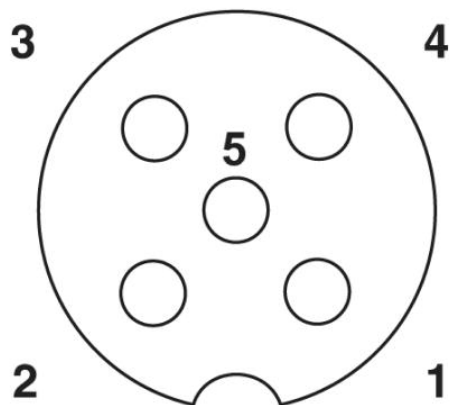
Circuit diagram



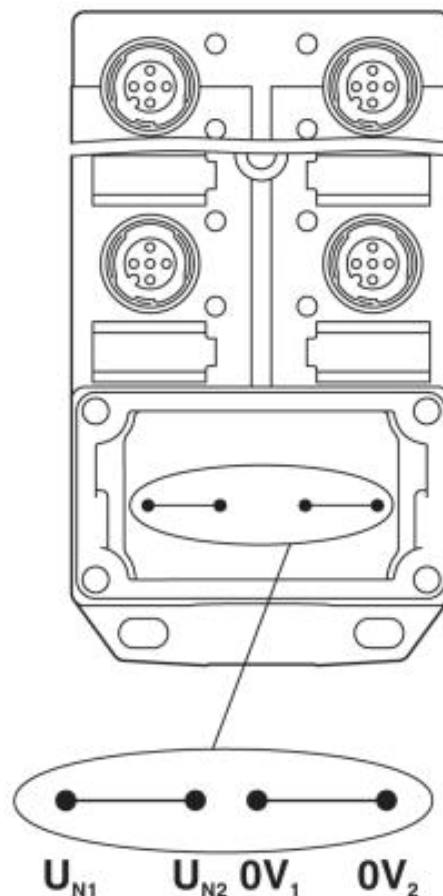
SACB-6/12-L-C GG SCO Order No.: 1516755

<http://eshop.phoenixcontact.de/phoenix/treeViewClick.do?UID=1516755>

Schematic diagram



M12 slot, socket, 5-pos.

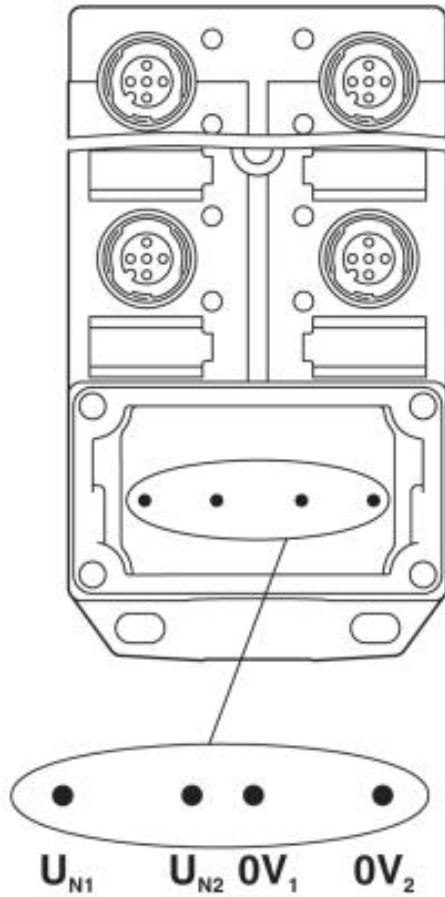


Potential U_{N1} and U_{N2} bridged

SACB-6/12-L-C GG SCO Order No.: 1516755

<http://eshop.phoenixcontact.de/phoenix/treeViewClick.do?UID=1516755>

Electrically isolated



SACB-6/12-L-C GG SCO Order No.: 1516755
<http://eshop.phoenixcontact.de/phoenix/treeViewClick.do?UID=1516755>

Address

PHOENIX CONTACT Inc., USA
586 Fulling Mill Road
Middletown, PA 17057, USA
Phone (800) 888-7388
Fax (717) 944-1625
<http://www.phoenixcon.com>



© 2010 Phoenix Contact
Technical modifications reserved;