

## Excellent Integrated System Limited

Stocking Distributor

Click to view price, real time Inventory, Delivery & Lifecycle Information:

[Phoenix Contact](#)  
[1517181](#)

For any questions, you can email us directly:  
[sales@integrated-circuit.com](mailto:sales@integrated-circuit.com)



Extract from the online catalog

## SACB-8/16-L- 5,0PUR SCO

Order No.: 1517181




<http://eshop.phoenixcontact.de/phoenix/treeViewClick.do?UID=1517181>

Sensor/actuator box, M12-SPEEDCON-socket, Number of slots: 8, Number of positions: 5, Slot assignment: Double, Status indication: Yes, pnp 180°, PUR/PVC, Cable length: 5 m, Shielding: No



### Commercial data

|                          |  |
|--------------------------|--|
| GTIN (EAN)               | <br>4 017918 967857 |
| sales group              | D101   |
| Pack                     | 1 pcs.   |
| Customs tariff           | 85366990   |
| Catalog page information | Page 116 (PC-2009)   |

### Product notes

WEEE/RoHS-compliant since:  
01/01/2008



<http://www.download.phoenixcontact.com>  
 Please note that the data given here has been taken from the online catalog. For comprehensive information and data, please refer to the user documentation. The General Terms and Conditions of Use apply to Internet downloads.

### Technical data

#### General data

|  |         |
|--|---------|
| Rated voltage                            | 24 V DC |
| Max. operating voltage $U_{max}$         | 30 V DC |
| Current carrying capacity per I/O signal | 2 A     |
| Current carrying capacity per slot       | 4 A     |

SACB-8/16-L- 5,0PUR SCO Order No.: 1517181

<http://eshop.phoenixcontact.de/phoenix/treeViewClick.do?UID=1517181>

|                                    |                     |
|------------------------------------|---------------------|
| Total rated current                | 12 A                |
| Number of positions                | 5                   |
| Number of slots                    | 8                   |
| Degree of protection               | IP65/IP67/IP69K     |
| Inflammability class acc. to UL 94 | V0                  |
| Ambient temperature (operation)    | -30 °C ... 90 °C    |
| Sensor/actuator connection system  | M12-SPEEDCON-socket |

**Local diagnostics function**

|                   |                               |
|-------------------|-------------------------------|
| Local diagnostics | Supply voltage Green LED      |
|                   | Status display I/O Yellow LED |

**Master cable data**

|  |  |
|--|--|
| Type of connection                           | Fixed connection                                 |
| Length of cable                              | 5 m  |
| Cable type                                   | Master cable suitable for flexible cable conduit |
| Signal line cross section                    | 16x 0.5 mm <sup>2</sup>                          |
| AWG signal line                              | 20   |
| Conductor structure signal line              | 64x 0.10 mm                                      |
| Power supply cross section                   | 3x 1 mm <sup>2</sup>                             |
| AWG power supply                             | 17   |
| Conductor structure, voltage supply          | 128x 0.10 mm                                     |
| External diameter                            | 11.6 mm  |
| Max. bending cycles                          | 1500000  |
| Bending radius                               | 120 mm   |
| Traversing path                              | 2 m  |
| Traversing rate                              | 2 m/s  |
| Ambient temperature (operation)              | -40 °C ... 90 °C (for fixed installation)        |
|  | -5 °C ... 80 °C (for flexible installation)      |
| Tightening torque slot sensor/actuator cable | 0.4 Nm   |
| Tightening torque screw plug                 | 0.4 Nm   |

**Insulation material**

|                               |             |
|-------------------------------|-------------|
| Housing material              | PBT         |
| Material of the moulding mass | PUR         |
| Contact material              | Cu alloy    |
| Contact surface material      | Gold-plated |

SACB-8/16-L- 5,0PUR SCO Order No.: 1517181

<http://eshop.phoenixcontact.de/phoenix/treeViewClick.do?UID=1517181>

|                                     |               |
|-------------------------------------|---------------|
| Contact carrier material            | PA            |
| Material of threaded sleeve         | Zinc die-cast |
| Material of threaded sleeve surface | Nickel-plated |
| Material, O-ring                    | NBR           |

**Pin assignment**

|  |                       |
|--|-----------------------|
| Slot/position = Wire color or connection | 1 / 4 (A) = WH        |
|  | 1 / 2 (B) = GY/PK     |
|  | 2 / 4 (A) = GN        |
|  | 2 / 2 (B) = RD/BU     |
|  | 3 / 4 (A) = YE        |
|  | 3 / 2 (B) = WH/GN     |
|  | 4 / 4 (A) = GY        |
|  | 4 / 2 (B) = BN/GN     |
|  | 5 / 4 (A) = PK        |
|  | 5 / 2 (B) = WH/YE     |
|  | 6 / 4 (A) = RD        |
|  | 6 / 2 (B) = YE/BN     |
|  | 7 / 4 (A) = BK        |
|  | 7 / 2 (B) = WH/GY     |
|  | 8 / 4 (A) = VT        |
|  | 8 / 2 (B) = GY/BN     |
|  | 1-8 / 1 (+ 24 V) = BN |
|  | 1-8 / 3 (0 V) = BU    |
|  | 1-8 / 5 (PE) = GN/YE  |

**Certificates / Approvals**



Certification

CUL, UL

SACB-8/16-L- 5,0PUR SCO Order No.: 1517181  
<http://eshop.phoenixcontact.de/phoenix/treeViewClick.do?UID=1517181>

### Accessories

| Item | Designation | Description |
|------|-------------|-------------|
|------|-------------|-------------|

#### Marking

|         |               |   |
|---------|---------------|---|
| 0804963 | SS-ZB 17,5 WH | Contactor marker Zack strip, unprinted: 5-section, for snapping into equipment and components with special marker carrier, can be labeled with M-PEN, CMS system or label BMKT 17.5 x 8, lettering field: 17.5 x 8 mm, color: white |
|---------|---------------|---|

#### Protection and sealing elements

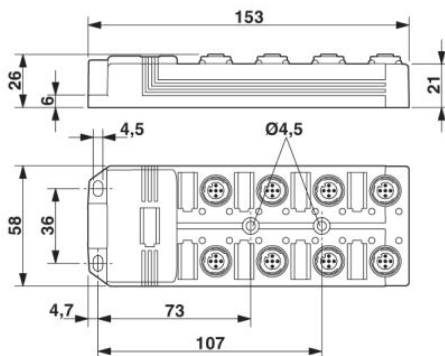
|         |             |  |
|---------|-------------|--|
| 1553129 | PROT-MS SCO | M12 screw plug with SPEEDCON quick locking for unoccupied M12 sockets of the sensor/actuator cables, boxes and flush-type connectors |
|---------|-------------|--|

#### Tools

|         |                  |   |
|---------|------------------|---|
| 1208432 | SAC BIT M12-D15  | Nut for assembling sensor/actuator cables with M12 connector and for M12 connectors with QUICKON fast connection technology, for 4 mm hexagonal drive |
| 1208445 | SACC BIT M12-D20 | Nut for assembling SACC M12 connectors for free assembly, excluding M12 connectors with QUICKON fast connection technology, for 4 mm hexagonal drive  |
| 1208429 | TSD 04 SAC       | Torque screwdriver, with preset torque of 0.4 Nm and 4 mm hexagonal drive for M12 connectors  |

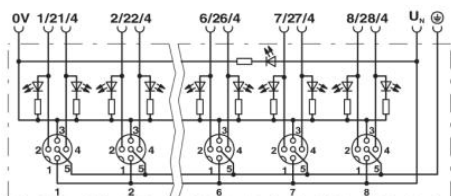
### Diagrams/Drawings

Dimensioned drawing



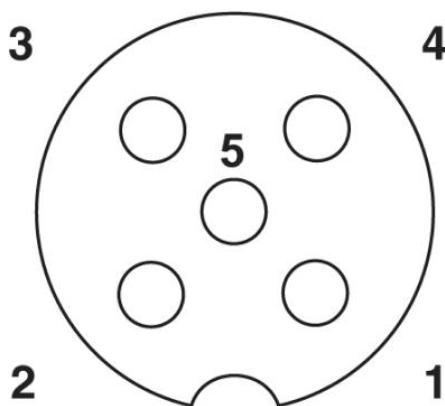
SACB-8/16-L- 5,0PUR SCO Order No.: 1517181  
<http://eshop.phoenixcontact.de/phoenix/treeViewClick.do?UID=1517181>

Circuit diagram



Schematic diagram

M12 slot, socket, 5-pos.



SACB-8/16-L- 5,0PUR SCO Order No.: 1517181  
<http://eshop.phoenixcontact.de/phoenix/treeViewClick.do?UID=1517181>

---

**Address**

PHOENIX CONTACT Inc., USA  
586 Fulling Mill Road  
Middletown, PA 17057, USA  
Phone (800) 888-7388  
Fax (717) 944-1625  
<http://www.phoenixcon.com>



© 2010 Phoenix Contact  
Technical modifications reserved;