

Excellent Integrated System Limited

Stocking Distributor

Click to view price, real time Inventory, Delivery & Lifecycle Information:

[Phoenix Contact](#)
[1553022](#)

For any questions, you can email us directly:
sales@integrated-circuit.com



Extract from the online catalog

SACC-DSI-FSB-5CON-L180/SCO SH

Order No.: 1553022



<http://eshop.phoenixcontact.de/phoenix/treeViewClick.do?UID=1553022>

Sensor/actuator flush-type socket, 5-pos., M12-SPEEDCON, shielded, B-coded, rear/screw mounting with Pg9 thread, with straight solder connection



Commercial data

GTIN (EAN)	4 046356 162203
sales group	D125
Pack	20 pcs.
Customs tariff	85366990
Catalog page information	Page 28 (PC-2009)

Product notes

WEEE/RoHS-compliant since:
04/13/2007



<http://www.download.phoenixcontact.com>
 Please note that the data given here has been taken from the online catalog. For comprehensive information and data, please refer to the user documentation. The General Terms and Conditions of Use apply to Internet downloads.

Technical data

General data

Rated current at 40°C	4 A
Rated voltage	60 V
Number of positions	5
Volume resistance	≤ 3 mΩ

SACC-DSI-FSB-5CON-L180/SCO SH Order No.: 1553022
<http://eshop.phoenixcontact.de/phoenix/treeViewClick.do?UID=1553022>

Insulation resistance	≥ 100 MΩ
Ambient temperature (operation)	-25 °C ... 85 °C (Male connector / female connector)

General characteristics

Standards/regulations	M12 connector IEC 61076-2-101
Coding	B - inverse
Surge voltage category	II
Pollution degree	3
Degree of protection	IP67
Contact material	CuZn
Contact surface material	Au
Contact carrier material	PA 66
Material, knurls	Zinc die-cast, (nickel-plated)
Sealing material	NBR
Mounting type	Rear mounting Pg9 With flat nut
Type of connection	Solder pins
Length of the solder contacts	6 mm
Status display	No

Certificates / Approvals

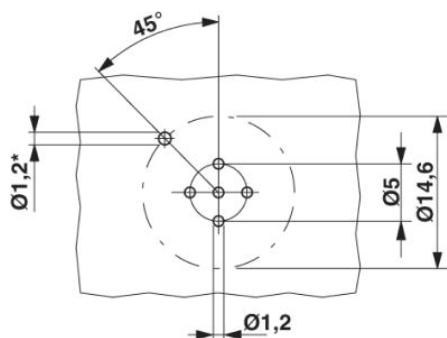


Certification UL

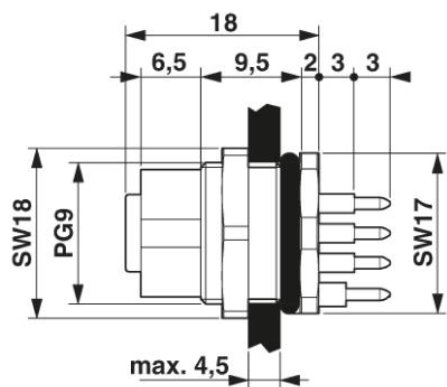
SACC-DSI-FSB-5CON-L180/SCO SH Order No.: 1553022
<http://eshop.phoenixcontact.de/phoenix/treeViewClick.do?UID=1553022>

Diagrams/Drawings

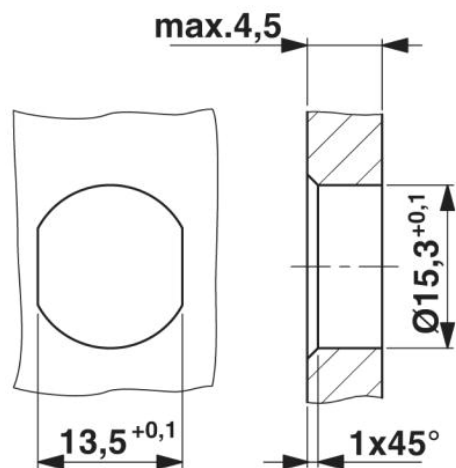
Drilling plan/solder pad geometry



Dimensioned drawing



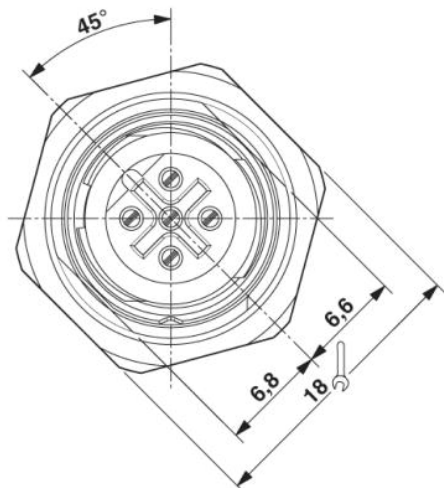
M12 flush-type connector



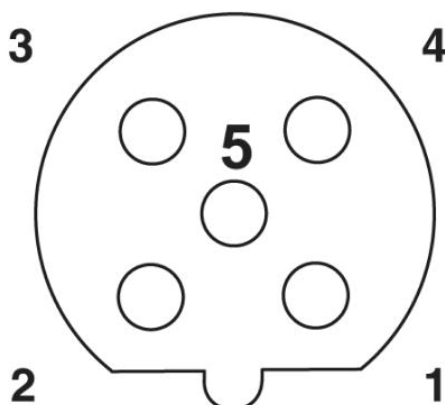
Mounting cutout with polarization for Pg9 thread

SACC-DSI-FSB-5CON-L180/SCO SH Order No.: 1553022
<http://eshop.phoenixcontact.de/phoenix/treeViewClick.do?UID=1553022>

M12 front view



Schematic diagram



Pin assignment M12 female connector, 5-pos., B-coded, female side

SACC-DSI-FSB-5CON-L180/SCO SH Order No.: 1553022
<http://eshop.phoenixcontact.de/phoenix/treeViewClick.do?UID=1553022>

Address

PHOENIX CONTACT Inc., USA
586 Fulling Mill Road
Middletown, PA 17057, USA
Phone (800) 888-7388
Fax (717) 944-1625
<http://www.phoenixcon.com>



© 2010 Phoenix Contact
Technical modifications reserved;