

Excellent Integrated System Limited

Stocking Distributor

Click to view price, real time Inventory, Delivery & Lifecycle Information:

[Phoenix Contact](#)
[1523463](#)

For any questions, you can email us directly:

sales@integrated-circuit.com



Extract from the online catalog

SACC-EC-MS-4CON-M16/0,5 SCO

Order No.: 1523463




<http://eshop.phoenixcontact.de/phoenix/treeViewClick.do?UID=1523463>

Sensor/actuator flush-type connector, 4-pos., M12 SPEEDCON, A-coded, front/screw mounting with M16 thread, can be positioned, with 0.5 m TPE litz wire, 4 x 0.34 mm²



Commercial data

GTIN (EAN)	 4 046356 021296
sales group	D125
Pack	1 pcs.
Customs tariff	85444290
Catalog page information	Page 25 (PC-2009)

Product notes

WEEE/RoHS-compliant since:
01/01/2008



<http://www.download.phoenixcontact.com>
 Please note that the data given here has been taken from the online catalog. For comprehensive information and data, please refer to the user documentation. The General Terms and Conditions of Use apply to Internet downloads.

Technical data

General data

Rated current at 40°C	4 A
Rated voltage	250 V
Number of positions	4
Volume resistance	≤ 3 mΩ

SACC-EC-MS-4CON-M16/0,5 SCO Order No.: 1523463
<http://eshop.phoenixcontact.de/phoenix/treeViewClick.do?UID=1523463>

Insulation resistance	≥ 100 MΩ
Length of cable	0.5 m
Ambient temperature (operation)	-25 °C ... 85 °C (Male connector / female connector)

General characteristics

Standards/regulations	M12 connector IEC 61076-2-101
Coding	A - standard
Surge voltage category	II
Pollution degree	3
Degree of protection	IP67
Contact material	CuZn
Contact surface material	Au
Contact carrier material	PA 66
Material, knurls	Zinc die-cast, (nickel-plated)
Sealing material	NBR
Mounting type	Front mounting M16 x 1.5 With locking nut
Type of connection	Individual wires
Status display	No

Conductor data

Cable type	TPE litz wire
Conductor cross section	0.34 mm ²
AWG signal line	22
Conductor structure signal line	7x 0.25 mm
Core diameter including insulation	1.2 mm ±0.07 mm
Thickness, insulation	0.21 mm (Core insulation)
Wire colors	Black, brown, blue, white
Insulation resistance	≥ 20 MΩ*km
Conductor resistance	≤ 57.6 mΩ/m
Nominal voltage, conductor	300 V
Test voltage, conductor	2000 V AC
Material conductor insulation	TPE
Conductor material	Tin-plated Cu litz wires
Ambient temperature (operation)	-25 °C ... 90 °C (cable, fixed installation)

SACC-EC-MS-4CON-M16/0,5 SCO Order No.: 1523463
<http://eshop.phoenixcontact.de/phoenix/treeViewClick.do?UID=1523463>

Certificates / Approvals

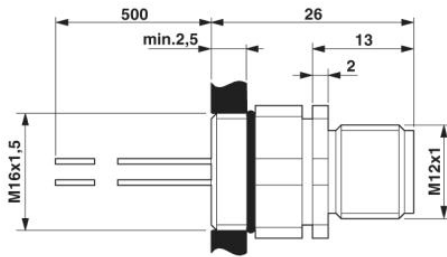


Certification

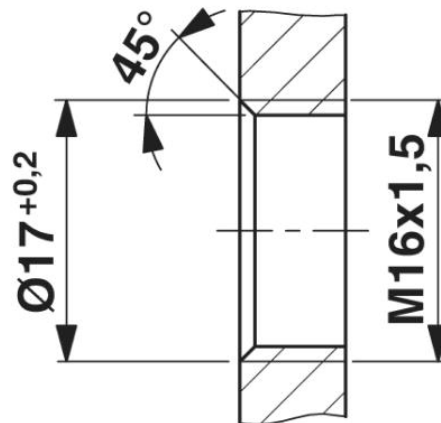
UL

Diagrams/Drawings

Dimensioned drawing

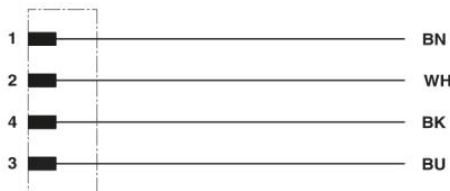


M12 flush-type connector, can be positioned



Housing cutout for M16 fastening thread, mounting panel with thread

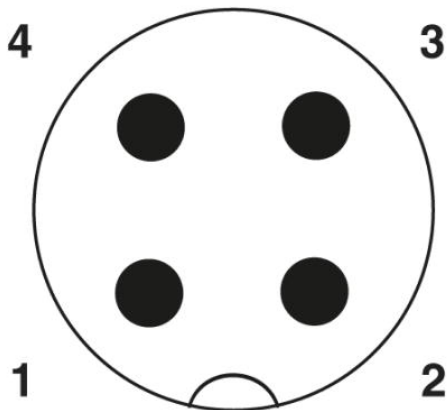
Circuit diagram



SACC-EC-MS-4CON-M16/0,5 SCO Order No.: 1523463

<http://eshop.phoenixcontact.de/phoenix/treeViewClick.do?UID=1523463>

Schematic diagram



Pin assignment M12 plug, 4-pos., A-coded, view plug side

SACC-EC-MS-4CON-M16/0,5 SCO Order No.: 1523463
<http://eshop.phoenixcontact.de/phoenix/treeViewClick.do?UID=1523463>

Address

PHOENIX CONTACT Inc., USA
586 Fulling Mill Road
Middletown, PA 17057, USA
Phone (800) 888-7388
Fax (717) 944-1625
<http://www.phoenixcon.com>



© 2010 Phoenix Contact
Technical modifications reserved;