

## Excellent Integrated System Limited

Stocking Distributor

Click to view price, real time Inventory, Delivery & Lifecycle Information:

[Phoenix Contact](#)  
[1513431](#)

For any questions, you can email us directly:

[sales@integrated-circuit.com](mailto:sales@integrated-circuit.com)



Extract from the online catalog


## SACC-M12MR-5CON-PG9

Order No.: 1513431



<http://eshop.phoenixcontact.de/phoenix/treeViewClick.do?UID=1513431>

Sensor/actuator connector, male, angled, 5-pos., M12, A-coded, screw connection, plastic knurl, cable screw connection Pg9

Commercial data	
GTIN (EAN)	 4 017918 911515
sales group	D120
Pack	1 pcs.
Customs tariff	85366990
Catalog page information	Page 45 (PC-2009)

### Product notes

WEEE/RoHS-compliant since:  
03/21/2006



<http://www.download.phoenixcontact.com>  
 Please note that the data given here has been taken from the online catalog. For comprehensive information and data, please refer to the user documentation. The General Terms and Conditions of Use apply to Internet downloads.

## Technical data

General data	
Rated current at 40°C	4 A
Rated voltage	60 V
Number of positions	5
Volume resistance	≤ 8 mΩ
Insulation resistance	≥ 100 MΩ

SACC-M12MR-5CON-PG9 Order No.: 1513431

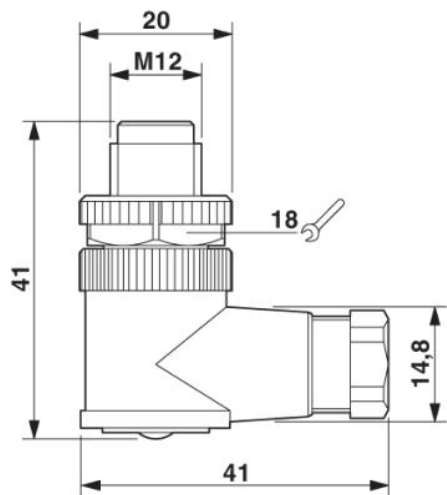
<http://eshop.phoenixcontact.de/phoenix/treeViewClick.do?UID=1513431>

Ambient temperature (operation)	-40 °C ... 85 °C (Male connector / female connector)
<b>General characteristics</b>	
Standards/regulations	M12 connector IEC 61076-2-101
Coding	A - standard
Surge voltage category	II
Pollution degree	3
Degree of protection	IP67
Contact material	CuZn
Contact surface material	CuSnZn
Contact carrier material	PA 66
Material of grip body	PBT
Material, knurls	Plastic
Sealing material	NBR
Type of connection	Screw connection
Conductor cross section stranded min.	0.25 mm <sup>2</sup>
Conductor cross section stranded max.	0.75 mm <sup>2</sup>
Conductor cross section AWG/kcmil min.	24
Conductor cross section AWG/kcmil max	18
External cable diameter	6 mm ... 8 mm
Status display	No

**Diagrams/Drawings**

Dimensioned drawing

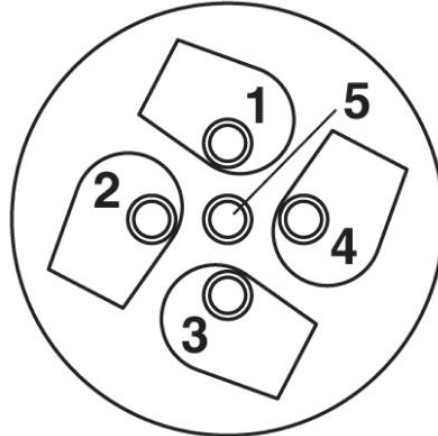
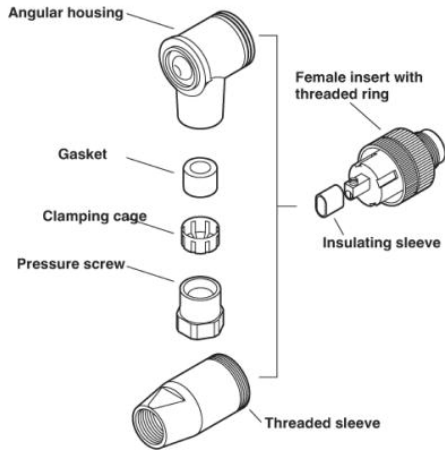
M12 x 1 male connector, angled



SACC-M12MR-5CON-PG9 Order No.: 1513431

<http://eshop.phoenixcontact.de/phoenix/treeViewClick.do?UID=1513431>

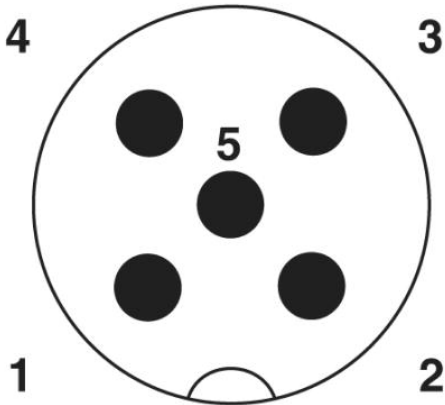
Schematic diagram



Male/Female M12

Cable connection side M12 (screw connection)

Pin assignment M12 male connector, 5-pos., A-coded, male side



SACC-M12MR-5CON-PG9 Order No.: 1513431

<http://eshop.phoenixcontact.de/phoenix/treeViewClick.do?UID=1513431>

---

**Address**

PHOENIX CONTACT Inc., USA  
586 Fulling Mill Road  
Middletown, PA 17057, USA  
Phone (800) 888-7388  
Fax (717) 944-1625  
<http://www.phoenixcon.com>



© 2010 Phoenix Contact  
Technical modifications reserved;