

Excellent Integrated System Limited

Stocking Distributor

Click to view price, real time Inventory, Delivery & Lifecycle Information:

[Phoenix Contact](#)
[1553653](#)

For any questions, you can email us directly:

sales@integrated-circuit.com



Extract from the online catalog

SACC-M12MR-8Q SH

Order No.: 1553653




<http://eshop.phoenixcontact.de/phoenix/treeViewClick.do?UID=1553653>

Bus system connector, connector, angled, 8-pos., M12 shielded, QUICKON connection block, cable diameter max. 8 mm

Ethernet

Commercial data

GTIN (EAN)	 4 046356 158824
sales group	D124
Pack	1 pcs.
Customs tariff	85366990
Catalog page information	Page 52 (PC-2009)

Product notes

WEEE/RoHS-compliant since:
09/22/2006



<http://www.download.phoenixcontact.com>
 Please note that the data given here has been taken from the online catalog. For comprehensive information and data, please refer to the user documentation. The General Terms and Conditions of Use apply to Internet downloads.

Technical data

General data

Rated current at 40°C	1.75 A
Rated voltage	30 V
Number of positions	8
Volume resistance	≤ 5 mΩ
Insulation resistance	≥ 100 MΩ

SACC-M12MR-8Q SH Order No.: 1553653

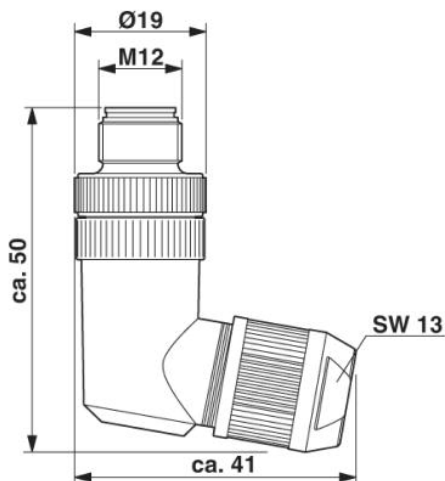
<http://eshop.phoenixcontact.de/phoenix/treeViewClick.do?UID=1553653>

Ambient temperature (operation)	-40 °C ... 85 °C
General characteristics	
Coding	A - standard
Surge voltage category	II
Pollution degree	3
Degree of protection	IP67
Inflammability class acc. to UL 94	V0
Contact material	CuSn
Contact surface material	Ni/Au
Contact carrier material	PA 66
Material of grip body	Zinc die-cast, nickel-plated
Material, knurls	Zinc die-cast, (nickel-plated)
Sealing material	Neoprene
Type of connection	IDC fast connection
Conductor cross section stranded min.	0.14 mm ²
Conductor cross section stranded max.	0.34 mm ²
Conductor cross section AWG/kcmil min.	26
Conductor cross section AWG/kcmil max	22
External diameter	4 mm ... 8 mm
Transmission characteristics (category)	CAT5 (IEC 11801:2002), CAT5e (TIA 568B:2001)

Diagrams/Drawings

Dimensioned drawing

M12 x 1 male connector, angled, shielded

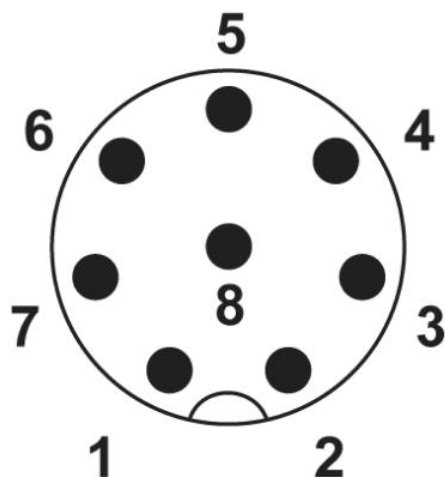


SACC-M12MR-8Q SH Order No.: 1553653

<http://eshop.phoenixcontact.de/phoenix/treeViewClick.do?UID=1553653>

Schematic diagram

Pin assignment M12 plug, 8-pos., view plug side



SACC-M12MR-8Q SH Order No.: 1553653

<http://eshop.phoenixcontact.de/phoenix/treeViewClick.do?UID=1553653>

Address

PHOENIX CONTACT Inc., USA
586 Fulling Mill Road
Middletown, PA 17057, USA
Phone (800) 888-7388
Fax (717) 944-1625
<http://www.phoenixcon.com>



© 2010 Phoenix Contact
Technical modifications reserved;