

Excellent Integrated System Limited

Stocking Distributor

Click to view price, real time Inventory, Delivery & Lifecycle Information:

[Phoenix Contact](#)
[1542994](#)

For any questions, you can email us directly:

sales@integrated-circuit.com



Extract from the online catalog

SACC-MR-5CON-PG 7-M SCO

Order No.: 1542994




<http://eshop.phoenixcontact.de/phoenix/treeViewClick.do?UID=1542994>

Sensor/actuator connector, male, angled, 5-pos., M12 SPEEDCON, A-coded, screw connection, metal knurl, cable screw connection PG 7



Commercial data

| | |
|--------------------------|--|
| GTIN (EAN) |  4 046356 097642 |
| sales group | D120 |
| Pack | 1 pcs. |
| Customs tariff | 85444290 |
| Catalog page information | Page 45 (PC-2009) |

Product notes

WEEE/RoHS-compliant since:
05/01/2006



<http://www.download.phoenixcontact.com>
Please note that the data given here has been taken from the online catalog. For comprehensive information and data, please refer to the user documentation. The General Terms and Conditions of Use apply to Internet downloads.

Technical data

General data

| | |
|-----------------------|--------|
| Rated current at 40°C | 4 A |
| Rated voltage | 60 V |
| Number of positions | 5 |
| Volume resistance | ≤ 8 mΩ |

SACC-MR-5CON-PG 7-M SCO Order No.: 1542994

<http://eshop.phoenixcontact.de/phoenix/treeViewClick.do?UID=1542994>

| | |
|---------------------------------|--|
| Insulation resistance | ≥ 100 MΩ |
| Ambient temperature (operation) | -40 °C ... 85 °C (Male connector / female connector) |

General characteristics

| | |
|--|-------------------------------|
| Standards/regulations | M12 connector IEC 61076-2-101 |
| Coding | A - standard |
| Surge voltage category | II |
| Pollution degree | 3 |
| Degree of protection | IP67 |
| Contact material | CuZn |
| Contact surface material | CuSnZn |
| Contact carrier material | PA 66 |
| Material of grip body | PBT |
| Material, knurls | Nickel-plated brass |
| Sealing material | NBR |
| Type of connection | Screw connection |
| Conductor cross section stranded min. | 0.25 mm ² |
| Conductor cross section stranded max. | 0.75 mm ² |
| Conductor cross section AWG/kcmil min. | 24 |
| Conductor cross section AWG/kcmil max | 18 |
| External cable diameter | 4 mm ... 6 mm |
| Status display | No |

Accessories

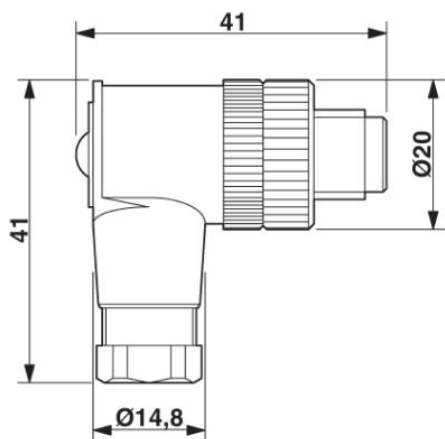
| Item | Designation | Description |
|----------------|----------------------|---|
| General | | |
| 1436505 | SACC-M12-SET/2,5-3,5 | Sensor/actuator connector, accessories, pressure screw and Pg7 seal, for unshielded M12 connector, cable diameter 2.5 mm - 3.5 mm |

SACC-MR-5CON-PG 7-M SCO Order No.: 1542994

<http://eshop.phoenixcontact.de/phoenix/treeViewClick.do?UID=1542994>

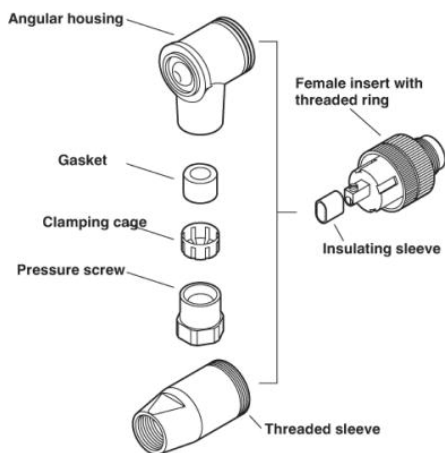
Diagrams/Drawings

Dimensioned drawing

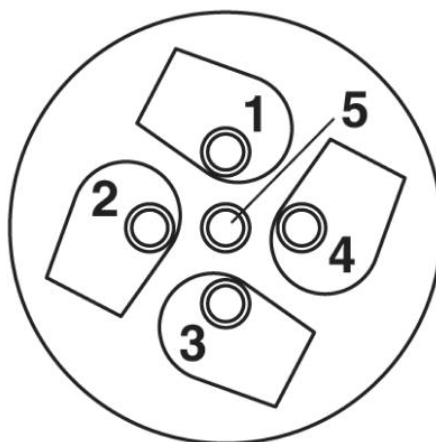


M12 x 1 male connector, angled

Schematic diagram



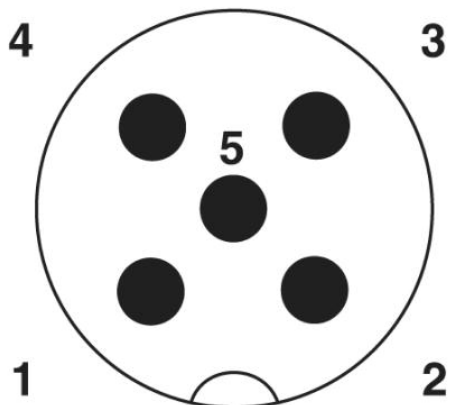
Male/Female M12



Cable connection side M12 (screw connection)

SACC-MR-5CON-PG 7-M SCO Order No.: 1542994

<http://eshop.phoenixcontact.de/phoenix/treeViewClick.do?UID=1542994>



Pin assignment M12 male connector, 5-pos., A-coded, male side

SACC-MR-5CON-PG 7-M SCO Order No.: 1542994

<http://eshop.phoenixcontact.de/phoenix/treeViewClick.do?UID=1542994>

Address

PHOENIX CONTACT Inc., USA
586 Fulling Mill Road
Middletown, PA 17057, USA
Phone (800) 888-7388
Fax (717) 944-1625
<http://www.phoenixcon.com>



© 2010 Phoenix Contact
Technical modifications reserved;