

## Excellent Integrated System Limited

Stocking Distributor

Click to view price, real time Inventory, Delivery & Lifecycle Information:

[Phoenix Contact](#)  
[1937253](#)

For any questions, you can email us directly:

[sales@integrated-circuit.com](mailto:sales@integrated-circuit.com)



Extract from the online catalog

## MSTBA 2,5/ 4-G-5,08 THT-R32


Order No.: 1937253

The illustration shows an 8-position version



<http://eshop.phoenixcontact.de/phoenix/treeViewClick.do?UID=1937253>

Header, Nominal current: 12 A, Rated voltage (III/2): 320 V, Number of positions: 4, Pitch: 5.08 mm, Color: black, Metal surface: Sn, Assembly: Taped SMD/THT/THR components, User information and design recommendations on through hole reflow technology can be found at: <http://www.combicon.com>

Commercial data	
GTIN (EAN)	 4 017918 733780
Note	Made-to-order
sales group	E172
Pack	330 pcs.
Customs tariff	85366990
Catalog page information	Page 148 (CC-2002)

### Product notes

WEEE/RoHS-compliant since:  
01/01/2003



<http://www.download.phoenixcontact.com>  
 Please note that the data given here has been taken from the online catalog. For comprehensive information and data, please refer to the user documentation. The General Terms and Conditions of Use apply to Internet downloads.

### Certificates / Approvals



Certification

CUL, GOST, UL

MSTBA 2,5/ 4-G-5,08 THT-R32 Order No.: 1937253

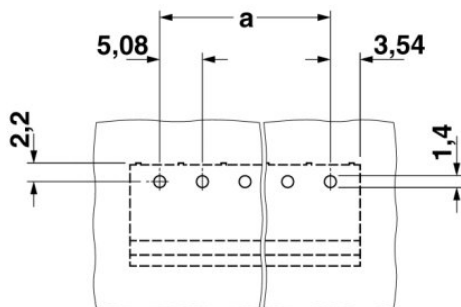
<http://eshop.phoenixcontact.de/phoenix/treeViewClick.do?UID=1937253>

### Accessories

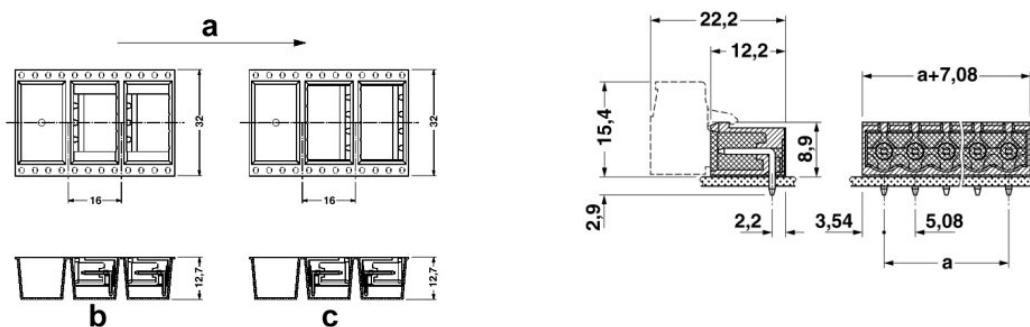
Item	Designation	Description
<b>Plug/Adapter</b>		
1734401	CR-MSTB	Coding section, inserted into the recess in the header or the inverted plug, red insulating material

### Diagrams/Drawings

Drilling plan/solder pad geometry



Dimensioned drawing



a = Direction of feed

b = Odd pos. nos. (3)

c = Even pos. nos. (2 and 4)

MSTBA 2,5/ 4-G-5,08 THT-R32 Order No.: 1937253

<http://eshop.phoenixcontact.de/phoenix/treeViewClick.do?UID=1937253>

---

**Address**

PHOENIX CONTACT Deutschland GmbH  
Flachsmarktstr. 8  
32825 Blomberg, Germany  
Phone +49 5235 3 12000  
Fax +49 5235 3 41200  
<http://www.phoenixcontact.de>



© 2010 Phoenix Contact  
Technical modifications reserved;