

## Excellent Integrated System Limited

Stocking Distributor

Click to view price, real time Inventory, Delivery & Lifecycle Information:

[Texas Instruments](#)  
[VFC110AP](#)

For any questions, you can email us directly:

[sales@integrated-circuit.com](mailto:sales@integrated-circuit.com)



SBVS021A – OCTOBER 1988 – REVISED APRIL 2007

# High-Frequency VOLTAGE-TO-FREQUENCY CONVERTER

## FEATURES

- **HIGH-FREQUENCY OPERATION:**  
4MHz FS max
- **EXCELLENT LINEARITY:**  
±0.02% typ at 2MHz
- **PRECISION 5V REFERENCE**
- **DISABLE PIN**
- **LOW JITTER**

## APPLICATIONS

- **INTEGRATING A/D CONVERSION**
- **PROCESS CONTROL**
- **VOLTAGE ISOLATION**
- **VOLTAGE-CONTROLLED OSCILLATOR**
- **FM TELEMETRY**

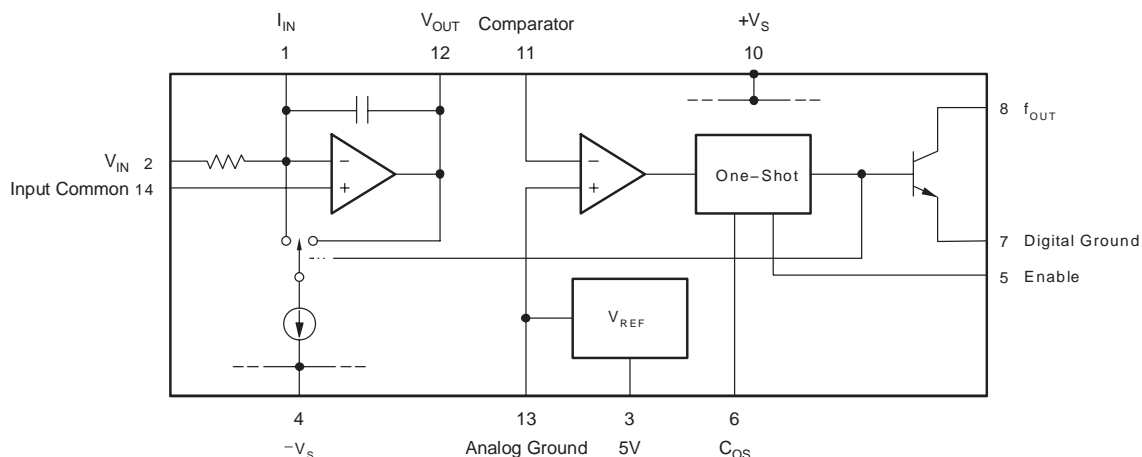
## DESCRIPTION

The VFC110 voltage-to-frequency converter is a third-generation VFC offering improved features and performance. These include higher frequency operation, an onboard precision 5V reference, and a Disable function.

The precision 5V reference can be used for offsetting the VFC transfer function, as well as exciting transducers or bridges. The Enable pin allows several VFCs' outputs to be paralleled, multiplexed, or simply to shut off the VFC. The open-collector frequency output is TTL-/CMOS-compatible. The output may be isolated by using an opto-coupler or transformer.

Internal input resistor, one-shot and integrator capacitors simplify applications circuits. These components are trimmed for a full-scale output frequency of 4MHz at 10V input. No additional components are required for many applications.

The VFC110 is packaged in a plastic 14-pin DIP. Industrial and military temperature range gradeouts are available.



Please be aware that an important notice concerning availability, standard warranty, and use in critical applications of Texas Instruments semiconductor products and disclaimers thereto appears at the end of this data sheet.

PowerPAD is a trademark of Texas Instruments Incorporated. All other trademarks are the property of their respective owners.

PRODUCTION DATA information is current as of publication date. Products conform to specifications per the terms of Texas Instruments standard warranty. Production processing does not necessarily include testing of all parameters.

SBVS021A – OCTOBER 1988 – REVISED APRIL 2007

**ABSOLUTE MAXIMUM RATINGS(1)**

Power Supply Voltages (+V <sub>S</sub> to -V <sub>S</sub> )	40V
f <sub>OUT</sub> Sink Current	50mA
Comparator In Voltage	-5V to +V <sub>S</sub>
Enable Input	+V <sub>S</sub> to -V <sub>S</sub>
Integrator Common-Mode Voltage	-1.5V to +1.5V
Integrator Differential Input Voltage	+0.5V to -0.5V
Integrator Out (short-circuit)	Indefinite
V <sub>REF</sub> Out (short-circuit)	Indefinite
Operating Temperature Range	
P Package	-40°C to +85°C
Storage Temperature	
P Package	-40°C to +125°C



This integrated circuit can be damaged by ESD. Texas Instruments recommends that all integrated circuits be handled with appropriate precautions. Failure to observe proper handling and installation procedures can cause damage.

ESD damage can range from subtle performance degradation to complete device failure. Precision integrated circuits may be more susceptible to damage because very small parametric changes could cause the device not to meet its published specifications.

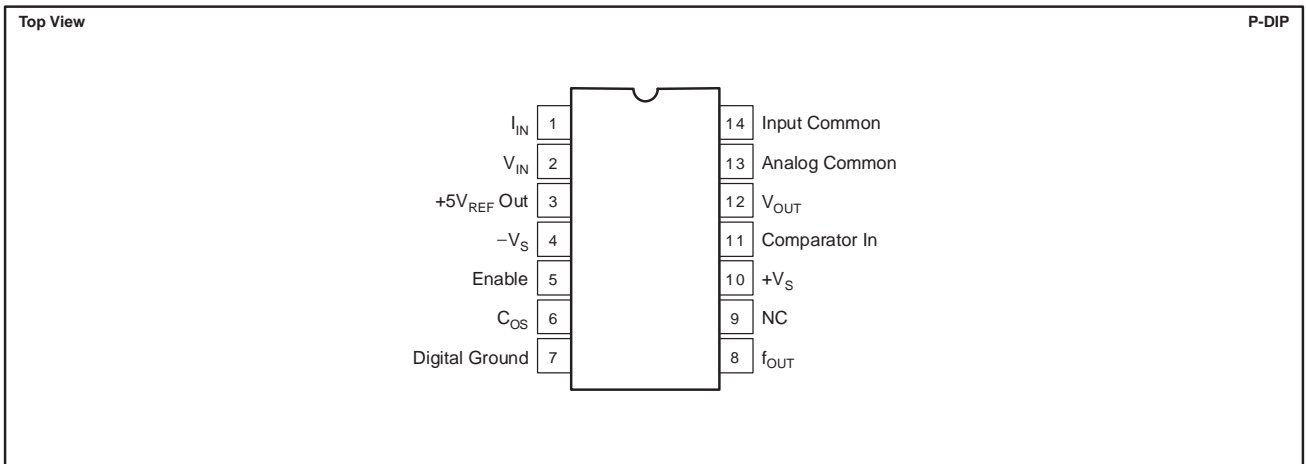
(1) Stresses above these ratings may cause permanent damage. Exposure to absolute maximum conditions for extended periods may degrade device reliability. These are stress ratings only, and functional operation of the device at these or any other conditions beyond those specified is not supported.

**ORDERING INFORMATION(1)**

PRODUCT	PACKAGE-LEAD	PACKAGE DESIGNATOR	SPECIFIED TEMPERATURE RANGE
VFC110AP	14-Pin Plastic DIP	N	-25°C to +85°C

(1) For the most current package and ordering information see the Package Option Addendum at the end of this document, or see the TI web site at www.ti.com.

**PIN CONFIGURATION**



## ELECTRICAL CHARACTERISTICS

At  $T_A = +25^\circ\text{C}$  and  $V_S = \pm 15\text{V}$ , unless otherwise noted.

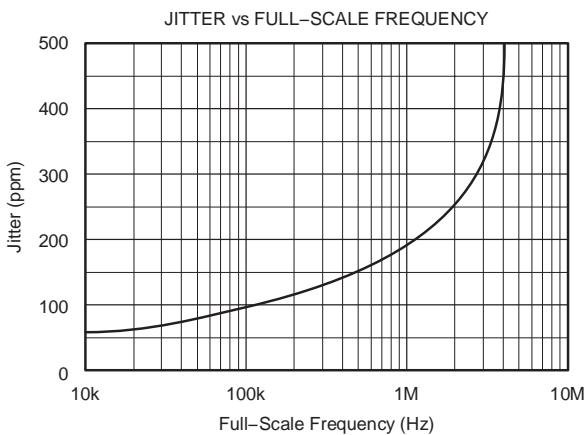
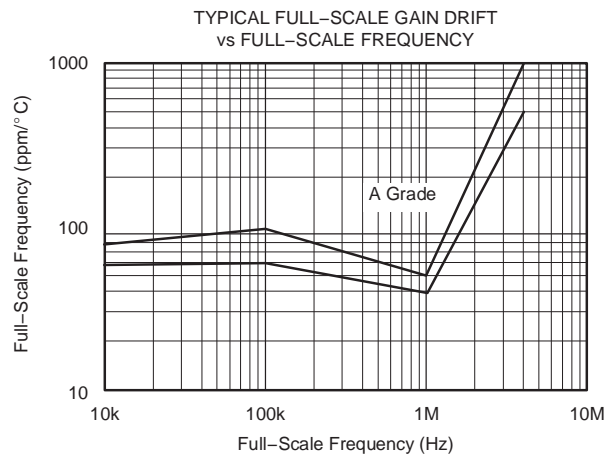
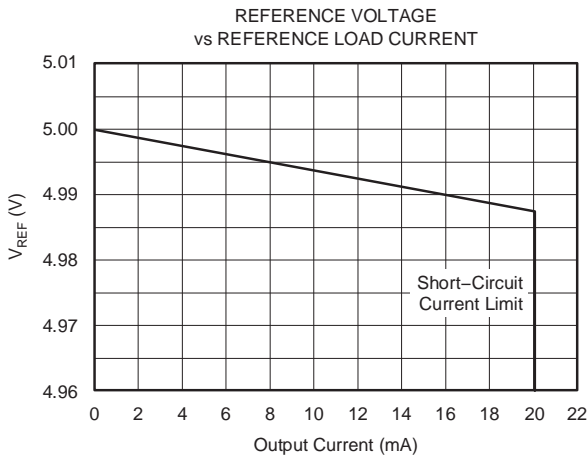
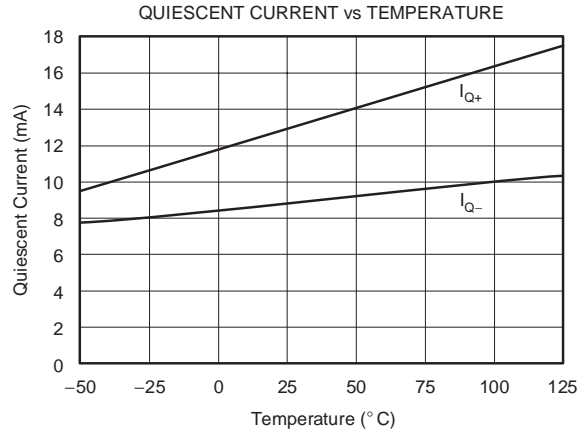
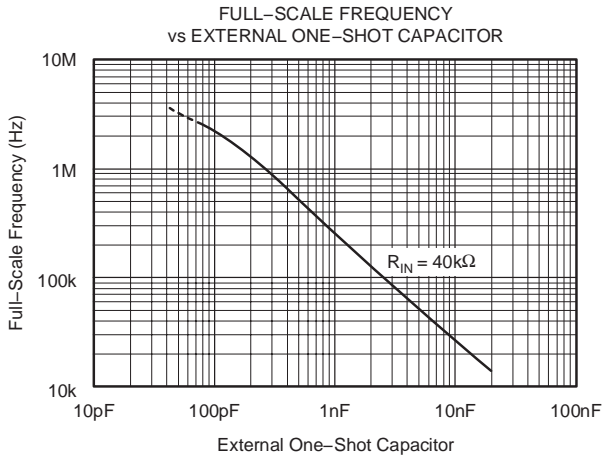
PARAMETER	CONDITIONS	VFC110AP			UNITS
		MIN	TYP	MAX	
<b>VOLTAGE-TO-FREQUENCY OPERATION</b>					
Nonlinearity <sup>(1)</sup> : $f_{FS} = 100\text{kHz}$	$C_{OS} = 2.2\text{nF}$ , $R_{IN} = 44\text{k}\Omega$		0.01	0.05	%FS
$f_{FS} = 1\text{MHz}$	$C_{OS} = 150\text{pF}$ , $R_{IN} = 40\text{k}\Omega$			0.1	%FS
$f_{FS} = 2\text{MHz}$	$C_{OS} = 56\text{pF}$ , $R_{IN} = 34\text{k}\Omega$		0.02		%FS
$f_{FS} = 4\text{MHz}$	$C_{OS} = (\text{Int})$ , $R_{IN} = (\text{Int})$		1		%FS
Gain Error, $f = 1\text{MHz}$	$C_{OS} = 150\text{pF}$ , $R_{IN} = 40\text{k}\Omega$			5	%
Gain Drift, $f = 1\text{MHz}$	Specified Temp Range			100	ppm/ $^\circ\text{C}$
Relative to $V_{REF}$	Specified Temp Range		100		ppm/ $^\circ\text{C}$
PSRR	$V_S = \pm 8\text{V}$ to $\pm 18\text{V}$			0.1	%/V
<b>INPUT</b>					
Full-Scale Input Current			250	500	$\mu\text{A}$
$I_{B-}$ (Inverting Input)			20	100	nA
$I_{B+}$ (Noninverting Input)			250		nA
$V_{OS}$				3	mV
$V_{OS}$ Drift	Specified Temp Range		35		$\mu\text{V}/^\circ\text{C}$
<b>INTEGRATOR AMPLIFIER OUTPUT</b>					
Output Voltage Range	$R_L = 2\text{k}\Omega$	-0.2		$+V_S - 4$	V
Output Current Drive		5	20		mA
Capacitive Load	No Oscillations		10		nF
<b>COMPARATOR INPUT</b>					
$I_B$ (Input Bias Current)			-5		$\mu\text{A}$
Trigger Voltage			$\pm 50$		mV
Input Voltage Range		-5		$+V_S$	V
<b>OPEN COLLECTOR OUTPUT</b>					
$V_O$ Low				0.4	V
$I_{LEAKAGE}$			0.1	1	$\mu\text{A}$
Fall Time			25		ns
Delay to Rise			25		ns
Settling Time	To Specified Linearity for a Full-Scale Input Step	One Pulse of New Frequency Plus $1\mu\text{s}$			
<b>REFERENCE VOLTAGE</b>					
Voltage		4.97	5	5.03	V
Voltage Drift				50	ppm/ $^\circ\text{C}$
Load Regulation	$I_O = 0$ to $10\text{mA}$		2	10	mV
PSRR	$V_S = \pm 8\text{V}$ to $\pm 18\text{V}$		5		mV/V
Current Limit	Short Circuit	15	20		mA
<b>ENABLE INPUT</b>					
$V_{HIGH}$ ( $f_{OUT}$ Enabled)	Specified Temp Range	2			V
$V_{LOW}$ ( $f_{OUT}$ Disabled)	Specified Temp Range			0.4	V
$I_{HIGH}$			0.1		$\mu\text{A}$
$I_{LOW}$			1		$\mu\text{A}$
<b>POWER SUPPLY</b>					
Voltage, $\pm V_S$		$\pm 8$	$\pm 15$	$\pm 18$	V
Current			13	16	mA
<b>TEMPERATURE RANGE</b>					
Specified					
AP		-25		+85	$^\circ\text{C}$
Storage					
AP		-40		+125	$^\circ\text{C}$

(1) Nonlinearity measured from 1V to 10V input.

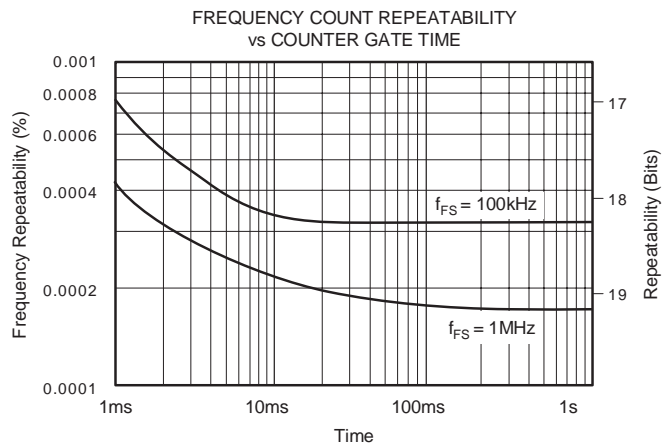
SBVS021A – OCTOBER 1988 – REVISED APRIL 2007

## TYPICAL CHARACTERISTICS

At  $T_A = +25^\circ\text{C}$  and  $V_S = \pm 15\text{V}$ , unless otherwise noted.



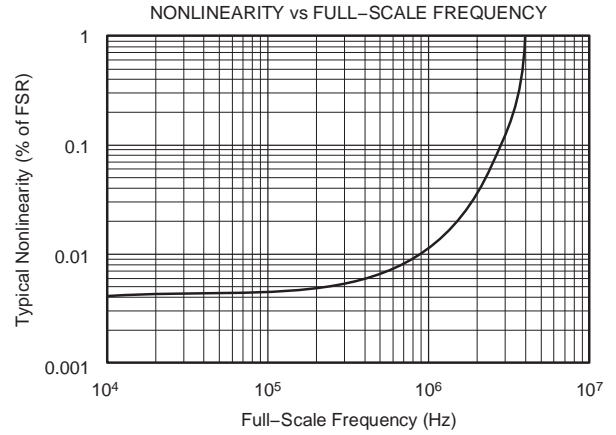
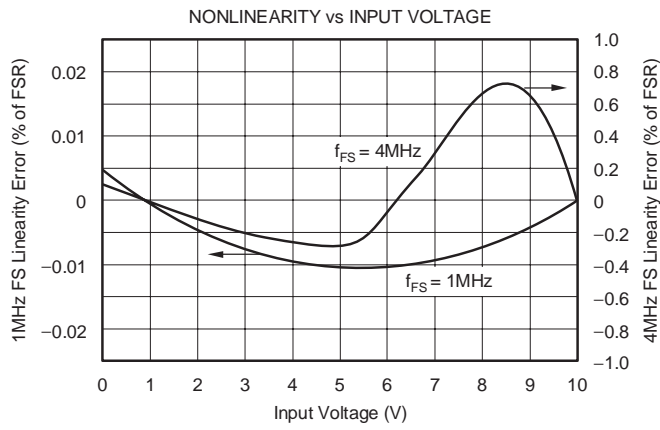
Jitter is the ratio of the  $1\sigma$  value of the distribution of the period ( $1/f_{OUT, max}$ ) to the mean of the period.



This graph describes the low frequency stability of the VFC110: the ratio of the  $1\sigma$  point of the distribution of 100 runs (where each mean frequency came from 1000 readings for each gate time) to the overall mean frequency.

## TYPICAL CHARACTERISTICS (continued)

At  $T_A = +25^\circ\text{C}$  and  $V_S = \pm 15\text{V}$ , unless otherwise noted.



SBVS021A – OCTOBER 1988 – REVISED APRIL 2007

## OPERATION

Figure 1 shows the connections required for operation at a full-scale output frequency of 4MHz. Only power supply bypass capacitors and an output pull-up resistor,  $R_{PU}$ , are required for this mode of operation. A 0V to 10V input voltage produces a 0Hz to 4MHz output frequency. The internal input resistor, one-shot and integrator capacitors set the full-scale output frequency. The input is applied to the summing junction of the integrator amplifier through the  $25k\Omega$  internal input resistor. Pin 14 (the noninverting amplifier input) should be referred directly to the negative side of  $V_{IN}$ . The common-mode range of the integrating amplifier is limited to approximately  $-1V$  to  $+1V$  referred to analog ground. This allows the noninverting input to Kelvin-sense the common connection of  $V_{IN}$ , easily accommodating any ground-drop errors. The input impedance loading  $V_{IN}$  is equal to the input resistor—approximately  $25k\Omega$ .

## OPERATION AT LOWER FREQUENCIES

The VFC110 can be operated at lower frequencies simply by limiting the input voltage to less than the nominal 10V full-scale input. To maintain a 10V FS input and highest accuracy, however, external components are required (see Table 1). Small adjustments may be required in the nominal values indicated. Integrator and one-shot capacitors are added in parallel to internal capacitors. Figure 2 illustrates the connections required for 100kHz full-scale output. The one-shot capacitor,  $C_{OS}$ , should be

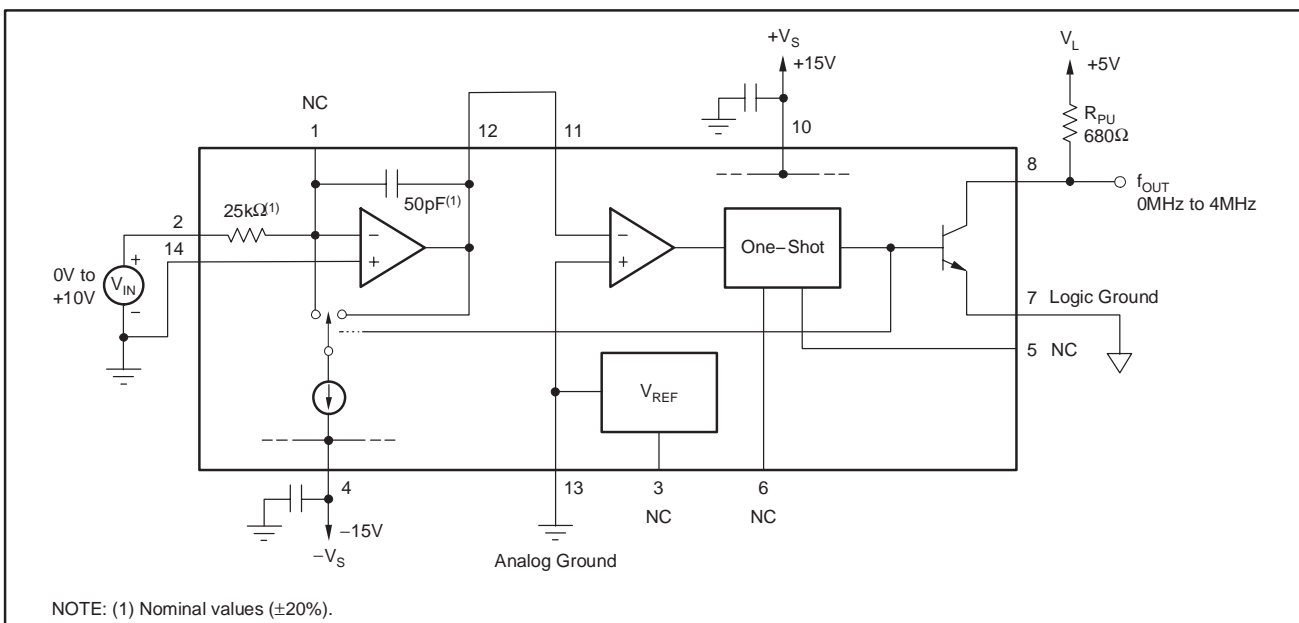
connected to logic ground. The one-shot connection (pin 6) is not short-circuit protected. Short-circuits to ground may damage the device.

The integrator capacitor's value does not directly affect the output frequency, but determines the magnitude of the voltage swing on the integrator's output. Using a  $C_{INT}$  equal to  $C_{OS}$  provides an integrator output swing from 0V to approximately 1.5V.

## COMPONENT SELECTION

Selection of the external resistor and capacitor type is important. Temperature drift of an external input resistor and one-shot capacitor will affect temperature stability of the output frequency. NPO ceramic capacitors will normally produce the best results. Silver-mica types will result in slightly higher drift, but may be adequate in many applications. A low temperature coefficient film resistor should be used for  $R_{IN}$ .

The integrator capacitor serves as a *charge bucket*, where charge is accumulated from the input,  $V_{IN}$ , and that charge is drained during the one-shot period. While the size of the bucket (capacitor value) is not critical, it must not leak. Capacitor leakage or dielectric absorption can affect the linearity and offset of the transfer function. High-quality ceramic capacitors can be used for values less than  $0.01\mu F$ . Use caution with higher value ceramic capacitors. High-k ceramic capacitors may have voltage nonlinearities which can degrade overall linearity. Polystyrene, polycarbonate, or mylar film capacitors are superior for high values.



**Figure 1. 4MHz Full-Scale Operation**

**Table 1. Component Selection Table**

FULL-SCALE FREQUENCY, $f_{FS}$	EXTERNAL COMPONENTS		
	$R_{IN}$	$C_{OS}$	$C_{INT}$
4MHz	*	*	*
2MHz	34k $\Omega$	56pF	*
1MHz	40k $\Omega$	150pF	*
500kHz	58k $\Omega$	330pF	2nF
100kHz	44k $\Omega$	2.2nF	10nF
50kHz	88k $\Omega$	2.2nF	0.1 $\mu$ F
10kHz	44k $\Omega$	22nF	0.1 $\mu$ F

\* Use internal component only.  
 The values given were determined empirically to give the optimal performance, taking into consideration tradeoffs between linearity and jitter for each given full-scale frequency of operation. The capacitors listed were chosen from standard values of NPO ceramic type capacitors while the resistor values were rounded off. Larger  $C_{INT}$  values may improve linearity, but may also increase frequency noise.

**PULL-UP RESISTOR**

The VFC110 frequency output is an open-collector transistor. A pull-up resistor should be connected from  $f_{OUT}$  to the logic supply voltage,  $+V_L$ . The output transistor is On during the one-shot period, causing the output to be a logic Low. The current flowing in this resistor should be limited to 8mA to assure a 0.4V maximum logic Low. The value

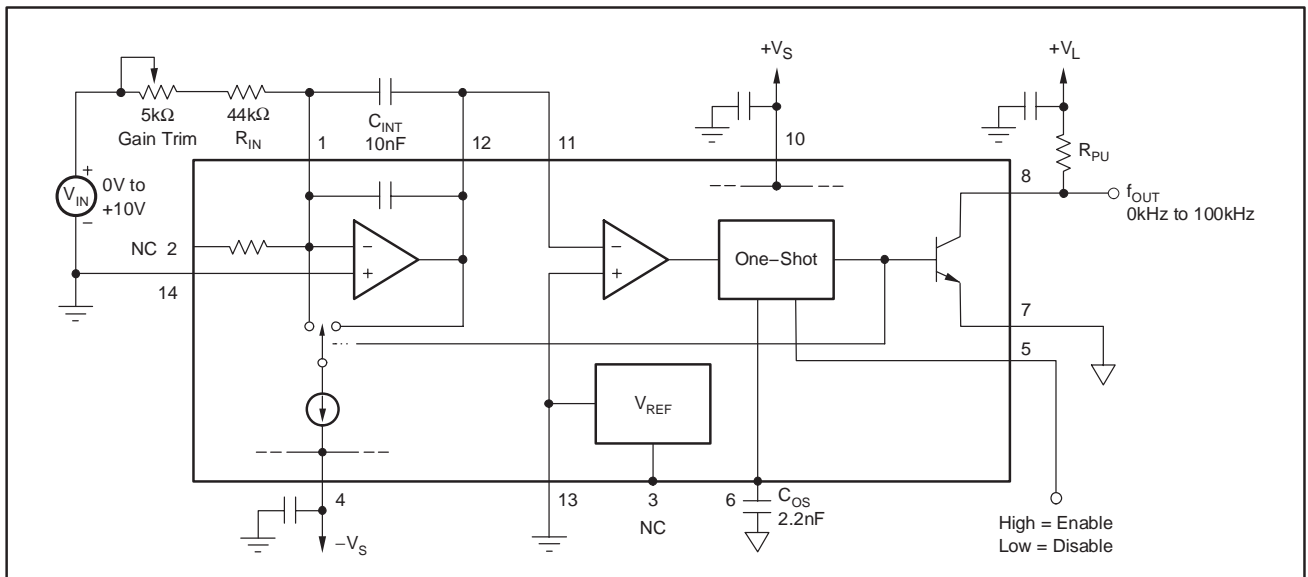
chosen for the pull-up resistor may depend on the full-scale frequency and capacitance on the output line. Excessive capacitance on  $f_{OUT}$  will cause a slow, rounded rising edge at the end of an output pulse. This effect can be minimized by using a pull-up resistor which sets the output current to its maximum of 8mA. The logic power supply can be any positive voltage up to  $+V_S$ .

**ENABLE PIN**

If left unconnected, the Enable input will assume a logic High level, enabling operation. Alternatively, the Enable input may be connected directly to  $+V_S$ . Since an internal pull-up current is included, the Enable input may be driven by an open-collector logic signal.

A logic Low at the Enable input causes output pulses to cease. This is accomplished by interrupting the signal path through the one-shot circuitry. While disabled, all circuitry remains active and quiescent current is unchanged. Since no reset current pulses can occur while disabled, any positive input voltage will cause the integrator op amp to ramp negatively and saturate at its most negative output swing of approximately  $-0.7V$ .

When the Enable input receives a logic High (greater than  $+2V$ ), a reset current cycle is initiated (causing  $f_{OUT}$  to go Low). The integrator ramps positively and normal operation is established. The time required for the output frequency to stabilize is equal to approximately one cycle of the final output frequency plus  $1\mu s$ .



**Figure 2. 100kHz Full-Scale Operation**



SBVS021A – OCTOBER 1988 – REVISED APRIL 2007

**PRINCIPLE OF OPERATION**

The VFC110 uses a charge-balance technique to achieve high accuracy. The heart of this technique is an analog integrator formed by the integrator op amp, feedback capacitor  $C_{INT}$ , and input resistor  $R_{IN}$ . The integrator's output voltage is proportional to the charge stored in  $C_{INT}$ . An input voltage develops an input current of  $V_{IN}/R_{IN}$ , which is forced to flow through  $C_{INT}$ . This current charges  $C_{INT}$ , causing the integrator output voltage to ramp negatively.

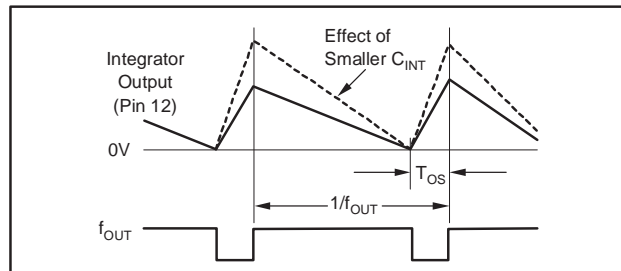
When the output of the integrator ramps to 0V, the comparator trips, triggering the one-shot. This connects the reference current,  $I_{REF}$ , (approximately 1mA) to the integrator input during the one-shot period,  $T_{OS}$ . This switched current causes the integrator output to ramp positively until the one-shot period ends. Then the cycle starts again.

The oscillation is regulated by the balance of current (or charge) between the input current and the time-averaged reset current. The equation of current balance is:

$$I_{IN} = I_{REF} \times \text{Duty Cycle}$$

$$\frac{V_{IN}}{R_{IN}} = I_{REF} \times f_{OUT} \times T_O$$

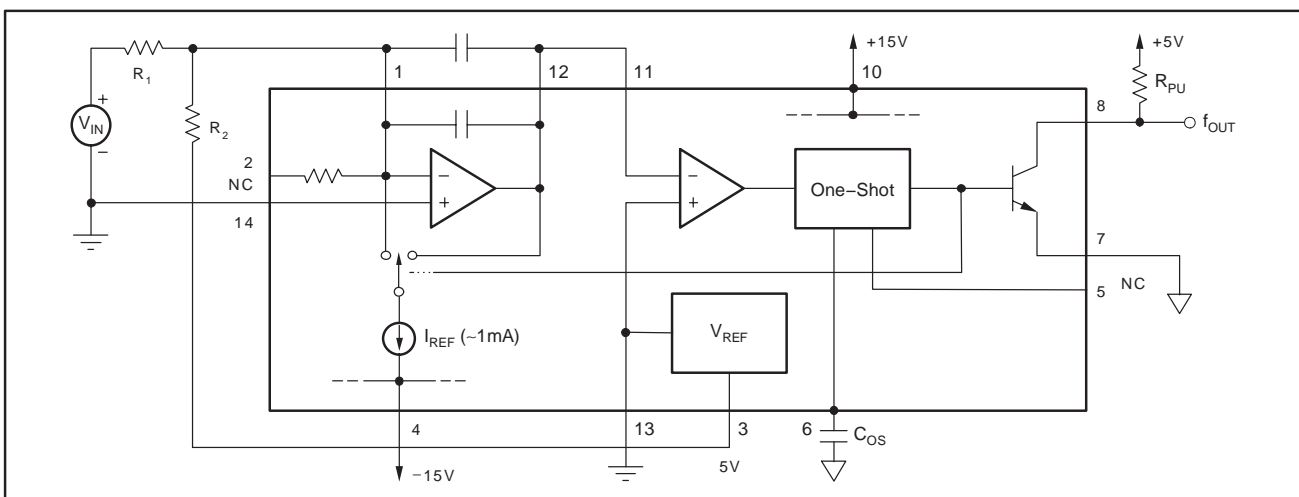
where  $T_O$  is the one-shot period and  $f_{OUT}$  is the oscillation frequency.



Using the Enable input, several VFCs' outputs can be connected to a single output line. All disabled VFCs will have a high output impedance; one active VFC can then transmit on the output line. Since the disabled VFCs are not oscillating, they cannot interfere or lock with the operating VFC. Locking can occur when one VFC operates at nearly the same frequency as—or a multiple of—a nearby VFC. Coupling between the two may cause them to lock to the same or exact multiple frequency. It then takes a small incremental input voltage change to unlock them. Locking cannot occur when unneeded VFCs are disabled.

**REFERENCE VOLTAGE**

The  $V_{REF}$  output is useful for offsetting the transfer function and exciting sensors. Figure 3 shows  $V_{REF}$  used to offset the transfer function of the VFC110 to achieve a bipolar input voltage range. Sub-surface zener reference circuitry is used for low noise and excellent temperature drift. Output current is specified to 10mA and current-limited to approximately 20mA. Excessive or variable loads on  $V_{REF}$  can decrease frequency stability due to internal heating.



**Figure 3. Offsetting the Frequency Output**

**MEASURING THE OUTPUT FREQUENCY**

To complete an integrating A/D conversion, the output frequency of the VFC110 must be counted. Simple frequency counting is accomplished by counting output pulses for a reference time (usually derived from a crystal oscillator). This can be implemented with counter/timer peripheral chips available for many popular microprocessor families. Many microcontrollers have counter inputs that can be programmed for frequency measurement.

Since  $f_{OUT}$  is an open-collector device, the negative-going edge provides the fastest logic transition. Clocking the counter on the falling edge will provide the best results in noisy environments.

Frequency can also be measured by accurately timing the period of one or more cycles of the VFC output. Frequency must then be computed since it is inversely proportional to the measured period. This measurement technique can provide higher measurement resolution in short conversion times. It is the method used in most high-performance laboratory frequency counters. It is usually necessary to offset the transfer function so 0V input causes a finite frequency out. Otherwise the output period (and therefore the conversion time) approaches infinity.

**FREQUENCY NOISE**

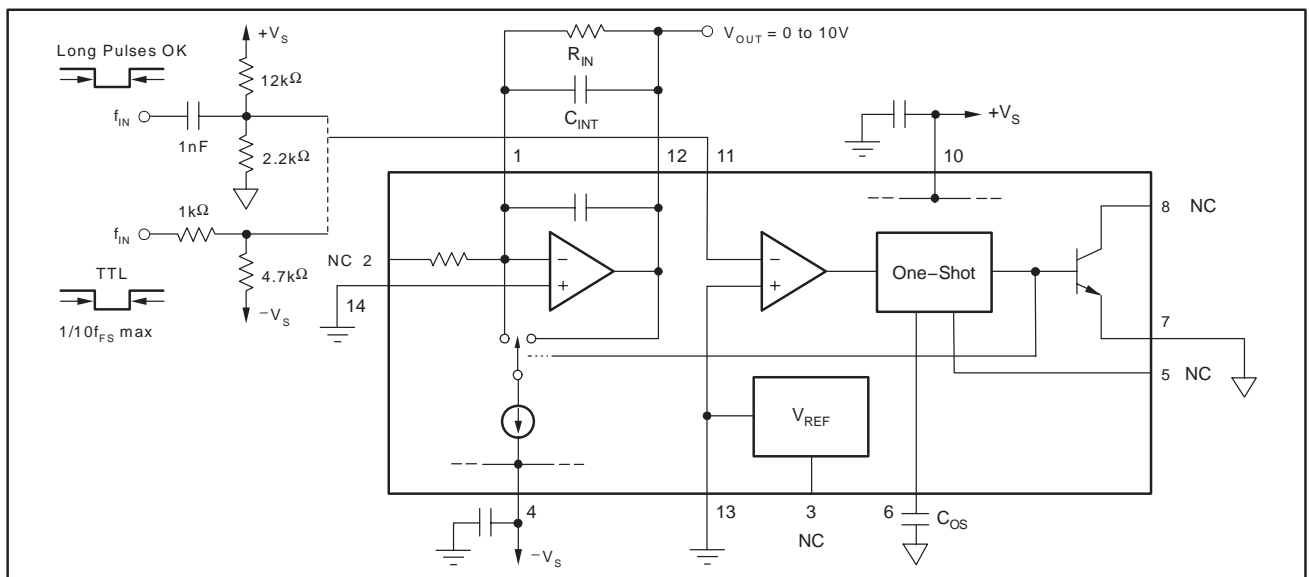
Frequency noise (small random variation in the output frequency) limits the useful resolution of fast frequency measurement techniques. Long measurement time averages the effect of frequency noise and achieves the maximum useful resolution. The VFC110 is designed to minimize frequency noise and allows improved useful resolution with short measurement times. The typical

characteristic curve *Frequency Count Repeatability vs Counter Gate Time* shows the effect of noise as the counter gate time is varied. It shows the one standard deviation ( $1\sigma$ ) count variation (as a percentage of FS counts) versus counter gate time.

**FREQUENCY-TO-VOLTAGE CONVERSION**

The VFC110 can also be connected as a frequency-to-voltage converter (Figure 4). Input frequency pulses are applied to the comparator input. A negative-going pulse crossing 0V initiates a reference current pulse which is averaged by the integrator op amp. The values of the one-shot capacitor and feedback resistor (same as  $R_{IN}$ ) are determined with Table 1. The input frequency pulse must not remain negative for longer than the duration of the one-shot period. Figure 4 shows the required timing to assure this. If the negative-going input frequency pulses are longer in duration, the capacitive coupling circuit shown can be used. Level shift or capacitive coupling circuitry should not provide pulses which go lower than  $-5V$  or damage to the comparator input may occur.

This frequency-to-voltage converter operates by averaging (filtering) the reference current pulses triggered on every falling edge at the frequency input. Voltage ripple with a frequency equal to the input will be present in the output voltage. The magnitude of this ripple voltage is inversely proportional to the integrator capacitor. The ripple can be made arbitrarily small with a large capacitor, but at the sacrifice of settling time. The R-C time constant of  $C_{INT}$  and  $R_{IN}$  determine the settling behavior. A better compromise between output ripple and settling time can be achieved by adding a low-pass filter following the voltage output.



**Figure 4. Frequency-to-Voltage Conversion**

PACKAGING INFORMATION

Orderable Device	Status <sup>(1)</sup>	Package Type	Package Drawing	Pins	Package Qty	Eco Plan <sup>(2)</sup>	Lead/Ball Finish	MSL Peak Temp <sup>(3)</sup>
VFC110AG	OBSOLETE	CDIP SB	JD	14		TBD	Call TI	Call TI
VFC110AG2	OBSOLETE	CDIP SB	JD	14		TBD	Call TI	Call TI
VFC110AP	ACTIVE	PDIP	N	14	25	Green (RoHS & no Sb/Br)	CU NIPDAU	N / A for Pkg Type
VFC110APG4	ACTIVE	PDIP	N	14	25	Green (RoHS & no Sb/Br)	CU NIPDAU	N / A for Pkg Type
VFC110BG	OBSOLETE	CDIP SB	JD	14		TBD	Call TI	Call TI
VFC110BG1	OBSOLETE	CDIP SB	JD	14		TBD	Call TI	Call TI
VFC110SG	OBSOLETE	CDIP SB	JD	14		TBD	Call TI	Call TI

<sup>(1)</sup> The marketing status values are defined as follows:

**ACTIVE:** Product device recommended for new designs.

**LIFEBUY:** TI has announced that the device will be discontinued, and a lifetime-buy period is in effect.

**NRND:** Not recommended for new designs. Device is in production to support existing customers, but TI does not recommend using this part in a new design.

**PREVIEW:** Device has been announced but is not in production. Samples may or may not be available.

**OBSOLETE:** TI has discontinued the production of the device.

<sup>(2)</sup> Eco Plan - The planned eco-friendly classification: Pb-Free (RoHS), Pb-Free (RoHS Exempt), or Green (RoHS & no Sb/Br) - please check <http://www.ti.com/productcontent> for the latest availability information and additional product content details.

**TBD:** The Pb-Free/Green conversion plan has not been defined.

**Pb-Free (RoHS):** TI's terms "Lead-Free" or "Pb-Free" mean semiconductor products that are compatible with the current RoHS requirements for all 6 substances, including the requirement that lead not exceed 0.1% by weight in homogeneous materials. Where designed to be soldered at high temperatures, TI Pb-Free products are suitable for use in specified lead-free processes.

**Pb-Free (RoHS Exempt):** This component has a RoHS exemption for either 1) lead-based flip-chip solder bumps used between the die and package, or 2) lead-based die adhesive used between the die and leadframe. The component is otherwise considered Pb-Free (RoHS compatible) as defined above.

**Green (RoHS & no Sb/Br):** TI defines "Green" to mean Pb-Free (RoHS compatible), and free of Bromine (Br) and Antimony (Sb) based flame retardants (Br or Sb do not exceed 0.1% by weight in homogeneous material)

<sup>(3)</sup> MSL, Peak Temp. -- The Moisture Sensitivity Level rating according to the JEDEC industry standard classifications, and peak solder temperature.

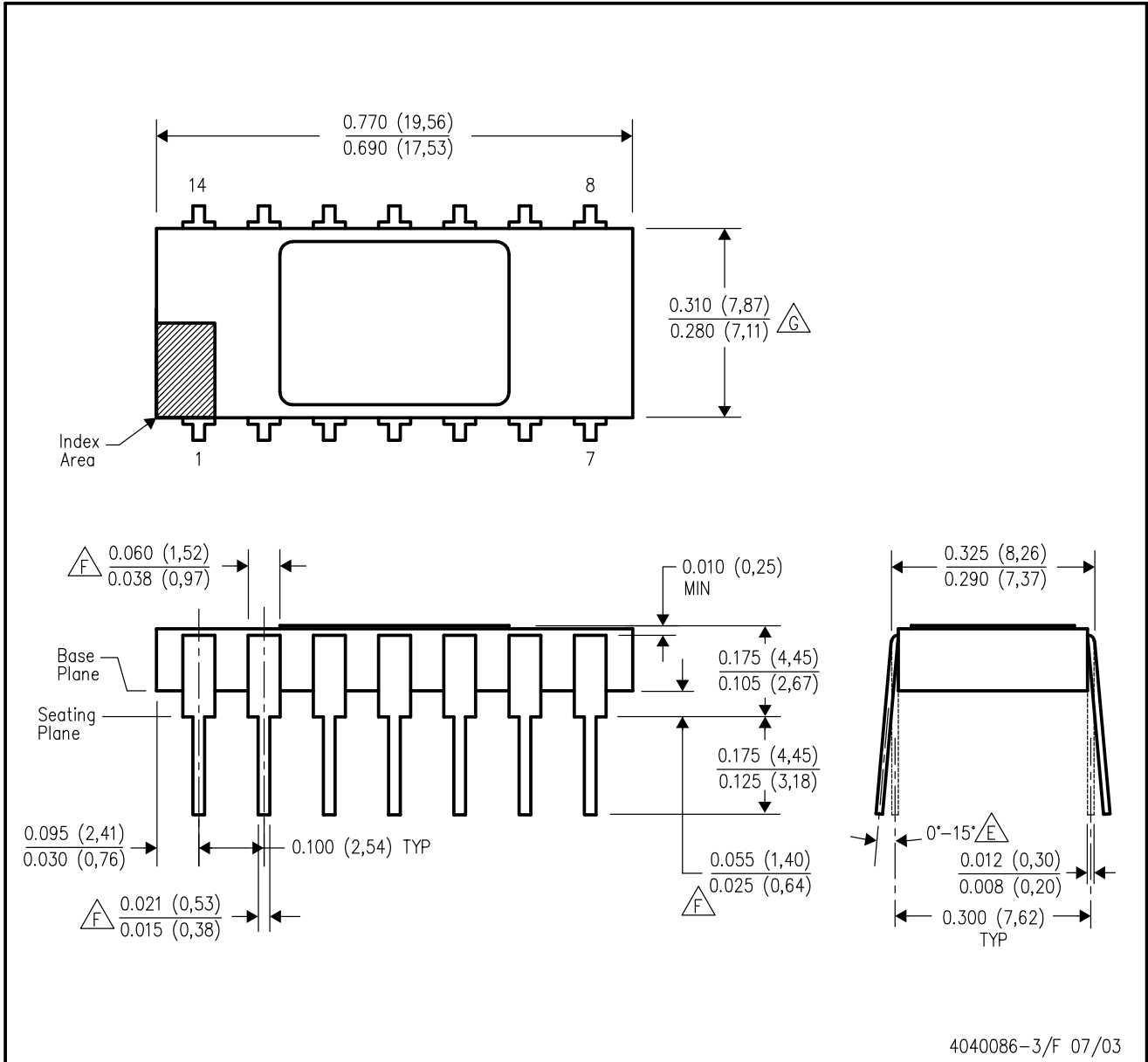
**Important Information and Disclaimer:**The information provided on this page represents TI's knowledge and belief as of the date that it is provided. TI bases its knowledge and belief on information provided by third parties, and makes no representation or warranty as to the accuracy of such information. Efforts are underway to better integrate information from third parties. TI has taken and continues to take reasonable steps to provide representative and accurate information but may not have conducted destructive testing or chemical analysis on incoming materials and chemicals. TI and TI suppliers consider certain information to be proprietary, and thus CAS numbers and other limited information may not be available for release.

In no event shall TI's liability arising out of such information exceed the total purchase price of the TI part(s) at issue in this document sold by TI to Customer on an annual basis.

MECHANICAL DATA

JD (R-CDIP-T14)

CERAMIC SIDE-BRAZE DUAL-IN-LINE



- NOTES:
- A. All linear dimensions are in inches (millimeters).
  - B. This drawing is subject to change without notice.
  - C. Controlling dimension: inch.
  - D. Leads within 0.005 (0,13) radius of true position (TP) at gage plane with maximum material condition and unit installed.
  - E. Angle applies to spread leads prior to installation.
  - F. Outlines on which the seating plane is coincident with the plane (standoff = 0), terminals lead standoffs are not required, and lead shoulder may equal lead width along any part of the lead above the seating/base plane.
  - G. Body width does not include particles of packing materials.
  - H. A visual index feature must be located within the cross-hatched area.

## IMPORTANT NOTICE

Texas Instruments Incorporated and its subsidiaries (TI) reserve the right to make corrections, modifications, enhancements, improvements, and other changes to its products and services at any time and to discontinue any product or service without notice. Customers should obtain the latest relevant information before placing orders and should verify that such information is current and complete. All products are sold subject to TI's terms and conditions of sale supplied at the time of order acknowledgment.

TI warrants performance of its hardware products to the specifications applicable at the time of sale in accordance with TI's standard warranty. Testing and other quality control techniques are used to the extent TI deems necessary to support this warranty. Except where mandated by government requirements, testing of all parameters of each product is not necessarily performed.

TI assumes no liability for applications assistance or customer product design. Customers are responsible for their products and applications using TI components. To minimize the risks associated with customer products and applications, customers should provide adequate design and operating safeguards.

TI does not warrant or represent that any license, either express or implied, is granted under any TI patent right, copyright, mask work right, or other TI intellectual property right relating to any combination, machine, or process in which TI products or services are used. Information published by TI regarding third-party products or services does not constitute a license from TI to use such products or services or a warranty or endorsement thereof. Use of such information may require a license from a third party under the patents or other intellectual property of the third party, or a license from TI under the patents or other intellectual property of TI.

Reproduction of TI information in TI data books or data sheets is permissible only if reproduction is without alteration and is accompanied by all associated warranties, conditions, limitations, and notices. Reproduction of this information with alteration is an unfair and deceptive business practice. TI is not responsible or liable for such altered documentation. Information of third parties may be subject to additional restrictions.

Resale of TI products or services with statements different from or beyond the parameters stated by TI for that product or service voids all express and any implied warranties for the associated TI product or service and is an unfair and deceptive business practice. TI is not responsible or liable for any such statements.

TI products are not authorized for use in safety-critical applications (such as life support) where a failure of the TI product would reasonably be expected to cause severe personal injury or death, unless officers of the parties have executed an agreement specifically governing such use. Buyers represent that they have all necessary expertise in the safety and regulatory ramifications of their applications, and acknowledge and agree that they are solely responsible for all legal, regulatory and safety-related requirements concerning their products and any use of TI products in such safety-critical applications, notwithstanding any applications-related information or support that may be provided by TI. Further, Buyers must fully indemnify TI and its representatives against any damages arising out of the use of TI products in such safety-critical applications.

TI products are neither designed nor intended for use in military/aerospace applications or environments unless the TI products are specifically designated by TI as military-grade or "enhanced plastic." Only products designated by TI as military-grade meet military specifications. Buyers acknowledge and agree that any such use of TI products which TI has not designated as military-grade is solely at the Buyer's risk, and that they are solely responsible for compliance with all legal and regulatory requirements in connection with such use.

TI products are neither designed nor intended for use in automotive applications or environments unless the specific TI products are designated by TI as compliant with ISO/TS 16949 requirements. Buyers acknowledge and agree that, if they use any non-designated products in automotive applications, TI will not be responsible for any failure to meet such requirements.

Following are URLs where you can obtain information on other Texas Instruments products and application solutions:

### Products

Amplifiers	<a href="http://amplifier.ti.com">amplifier.ti.com</a>
Data Converters	<a href="http://dataconverter.ti.com">dataconverter.ti.com</a>
DSP	<a href="http://dsp.ti.com">dsp.ti.com</a>
Clocks and Timers	<a href="http://www.ti.com/clocks">www.ti.com/clocks</a>
Interface	<a href="http://interface.ti.com">interface.ti.com</a>
Logic	<a href="http://logic.ti.com">logic.ti.com</a>
Power Mgmt	<a href="http://power.ti.com">power.ti.com</a>
Microcontrollers	<a href="http://microcontroller.ti.com">microcontroller.ti.com</a>
RFID	<a href="http://www.ti-rfid.com">www.ti-rfid.com</a>
RF/IF and ZigBee® Solutions	<a href="http://www.ti.com/lprf">www.ti.com/lprf</a>

### Applications

Audio	<a href="http://www.ti.com/audio">www.ti.com/audio</a>
Automotive	<a href="http://www.ti.com/automotive">www.ti.com/automotive</a>
Broadband	<a href="http://www.ti.com/broadband">www.ti.com/broadband</a>
Digital Control	<a href="http://www.ti.com/digitalcontrol">www.ti.com/digitalcontrol</a>
Medical	<a href="http://www.ti.com/medical">www.ti.com/medical</a>
Military	<a href="http://www.ti.com/military">www.ti.com/military</a>
Optical Networking	<a href="http://www.ti.com/opticalnetwork">www.ti.com/opticalnetwork</a>
Security	<a href="http://www.ti.com/security">www.ti.com/security</a>
Telephony	<a href="http://www.ti.com/telephony">www.ti.com/telephony</a>
Video & Imaging	<a href="http://www.ti.com/video">www.ti.com/video</a>
Wireless	<a href="http://www.ti.com/wireless">www.ti.com/wireless</a>

Mailing Address: Texas Instruments, Post Office Box 655303, Dallas, Texas 75265  
Copyright 2008, Texas Instruments Incorporated