

Excellent Integrated System Limited

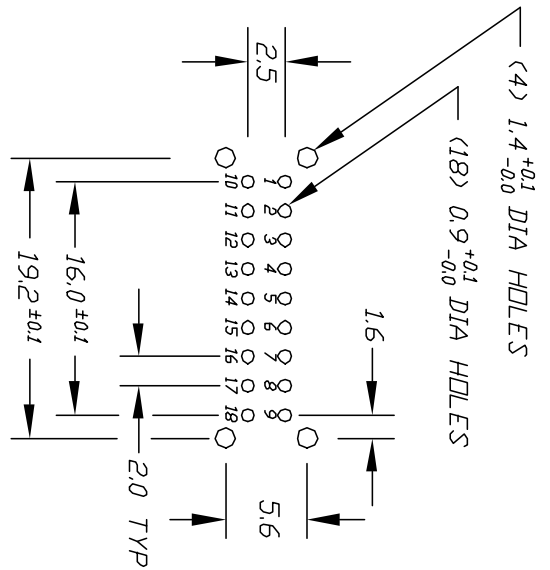
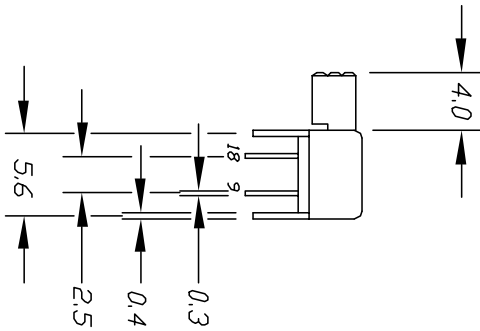
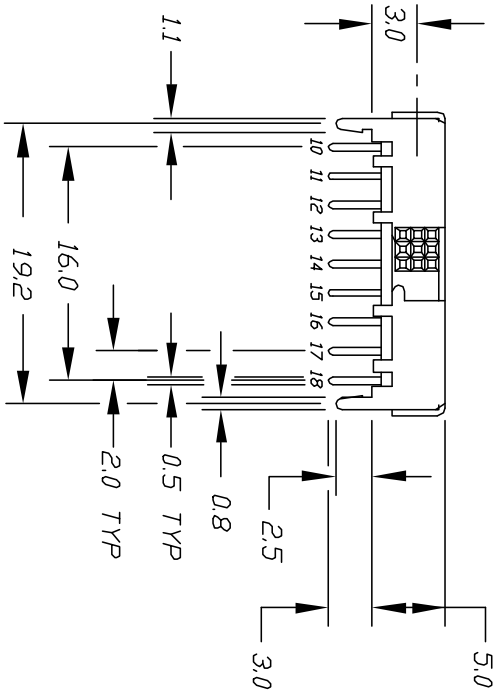
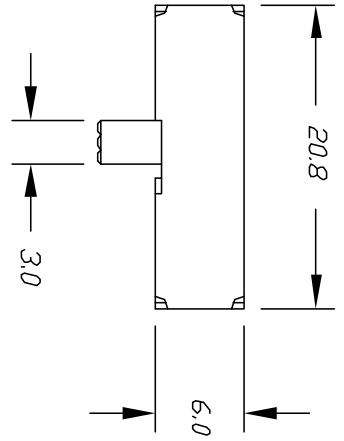
Stocking Distributor

Click to view price, real time Inventory, Delivery & Lifecycle Information:

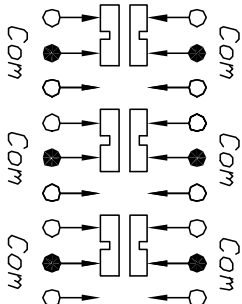
[E-Switch](#)
[EG6201](#)

For any questions, you can email us directly:
sales@integrated-circuit.com

SHEET 0F



RECOMMEND P.C.B. HOLES



CIRCUIT: 6PDT

CONTACT CONFIGURATION

NOTES:

1. ALL DIMENSIONS IN MM
2. TERM. NOS. FOR REF ONLY
3. RATING: DC 30V, 0.2A
4. TRAVEL: 2mm
5. OPERATING FORCE: 250±100gf

REV. B	REVISED & REDRAWN	DATE	CHKD
DESCRIPTION	THE INFORMATION CONTAINED IN THIS DOCUMENT IS PROPRIETARY TO E-SWITCH AND IS NOT TO BE COPIED OR TRANSMITTED		

TOLERANCES	
0.0	±0.4
0.00	±0.25

SCALE	DATE	DR	DWG	REV
2:1	9/15/96	NM	P040300	B
TITLE		EG 6201		
E-SWITCH®				