

Excellent Integrated System Limited

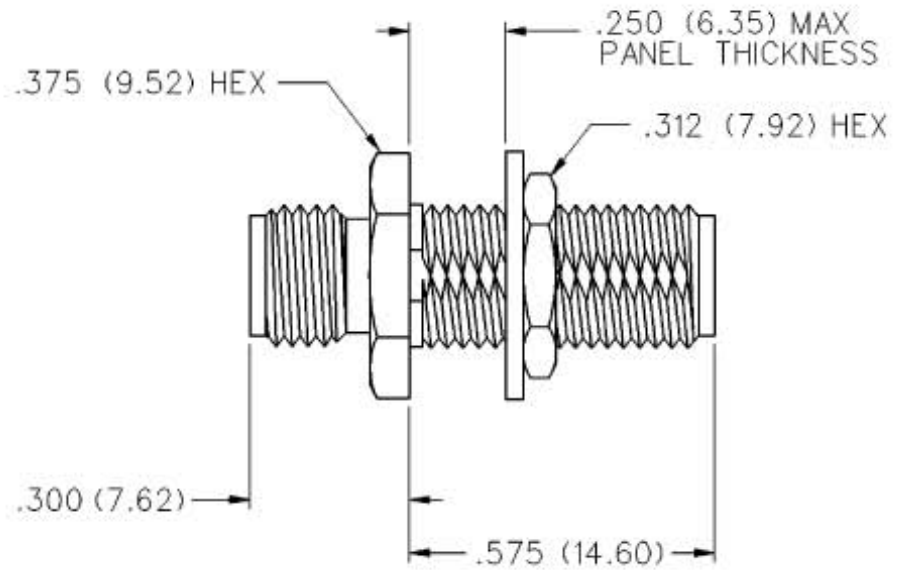
Stocking Distributor

Click to view price, real time Inventory, Delivery & Lifecycle Information:

[Bel Fuse Inc.](#)
[142-0901-401](#)

For any questions, you can email us directly:
sales@integrated-circuit.com

SMA 50 Ohm In-series Adapter Jack to Bulkhead Jack



VSWR & FREQ. RANGE	GOLD PLATED	NICKEL PLATED
1.05 + .01 f (GHz) 0-18 GHz	142-0901-401	142-0901-406

Mounting Hole Layout

