

Excellent Integrated System Limited

Stocking Distributor

Click to view price, real time Inventory, Delivery & Lifecycle Information:

[Phoenix Contact](#)
[3026476](#)

For any questions, you can email us directly:
sales@integrated-circuit.com



Extract from the online catalog

AB-SK/E


Order No.: 3026476



<http://eshop.phoenixcontact.de/phoenix/treeViewClick.do?UID=3026476>

Support, Length: 10 mm, Width: 56 mm, Height: 20 mm, Color: silver

Commercial data

GTIN (EAN)	 4 017918 168001
sales group	A502
Pack	10 pcs.
Customs tariff	76169990
Catalog page information	Page 681 (CL-2009)

Product notes

WEEE/RoHS-compliant since:
01/01/2003



<http://www.download.phoenixcontact.com>
 Please note that the data given here has been taken from the online catalog. For comprehensive information and data, please refer to the user documentation. The General Terms and Conditions of Use apply to Internet downloads.

Technical data

General

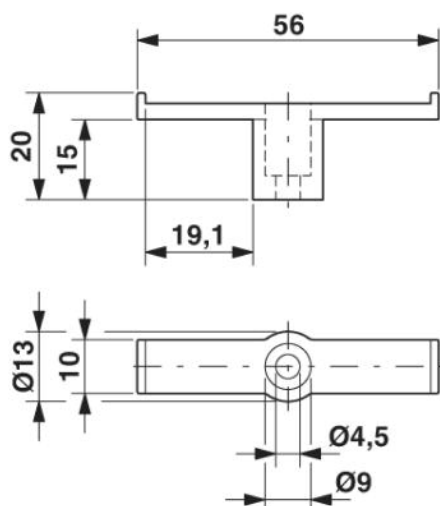
Length (b)	10 mm
Height	20 mm
Width (a)	56 mm
Color	silver
Material	Aluminum

AB-SK/E Order No.: 3026476

<http://eshop.phoenixcontact.de/phoenix/treeViewClick.do?UID=3026476>

Diagrams/Drawings

Dimensioned drawing



AB-SK/E Order No.: 3026476

<http://eshop.phoenixcontact.de/phoenix/treeViewClick.do?UID=3026476>

Address

PHOENIX CONTACT Inc., USA
586 Fulling Mill Road
Middletown, PA 17057, USA
Phone (800) 888-7388
Fax (717) 944-1625
<http://www.phoenixcon.com>



© 2010 Phoenix Contact
Technical modifications reserved;