

Excellent Integrated System Limited

Stocking Distributor

Click to view price, real time Inventory, Delivery & Lifecycle Information:

[Phoenix Contact](#)
[2896128](#)

For any questions, you can email us directly:
sales@integrated-circuit.com



Extract from the online catalog

BC 71,6 DKL S TRANS


Order No.: 2896128



<http://eshop.phoenixcontact.de/phoenix/treeViewClick.do?UID=2896128>

Transparent cover for installation housing BC 71,6...

Commercial data

GTIN (EAN)	 4 046356 096539
sales group	F060
Pack	10 pcs.
Customs tariff	85472000
Catalog page information	Page 555 (CC-2009)

Product notes

WEEE/RoHS-compliant since:
09/28/2005



<http://www.download.phoenixcontact.com>
Please note that the data given here has been taken from the online catalog. For comprehensive information and data, please refer to the user documentation. The General Terms and Conditions of Use apply to Internet downloads.

Technical data

General

Housing type	Housing cover
Color	transparent

Dimensions / positions

Width	71.6 mm
-------	---------

BC 71,6 DKL S TRANS Order No.: 2896128

<http://eshop.phoenixcontact.de/phoenix/treeViewClick.do?UID=2896128>

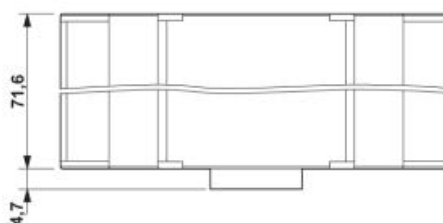
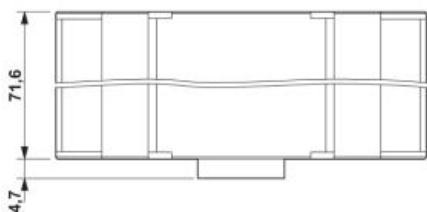
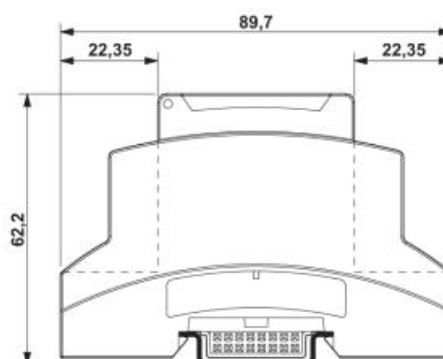
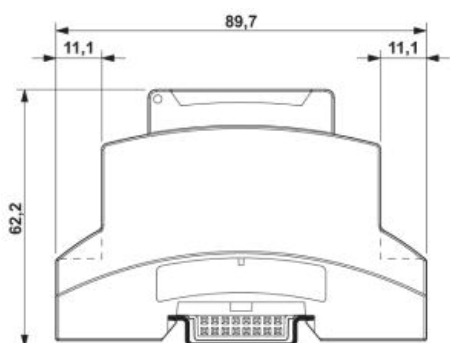
Technical data

Inflammability class acc. to UL 94

V0

Diagrams/Drawings

Dimensioned drawing



The dimensional drawing shows the item with the upper and lower parts of the housing

The dimensional drawing shows the item with the upper and lower parts of the housing

BC 71,6 DKL S TRANS Order No.: 2896128

<http://eshop.phoenixcontact.de/phoenix/treeViewClick.do?UID=2896128>

Address

PHOENIX CONTACT Inc., USA
586 Fulling Mill Road
Middletown, PA 17057, USA
Phone (800) 888-7388
Fax (717) 944-1625
<http://www.phoenixcon.com>



© 2010 Phoenix Contact
Technical modifications reserved;