

Excellent Integrated System Limited

Stocking Distributor

Click to view price, real time Inventory, Delivery & Lifecycle Information:

[Phoenix Contact](#)
[1771477](#)

For any questions, you can email us directly:

sales@integrated-circuit.com

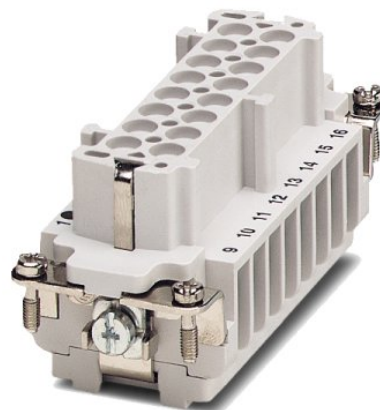


Extract from the online catalog

HC-B 16-EBUC

Order No.: 1771477


The figure shows the HC-B 16-EBUS version



<http://eshop.phoenixcontact.de/phoenix/treeViewClick.do?UID=1771477>

HEAVYCON female insert, B16 series, 16-pos., crimp connection

Commercial data

| | |
|--------------------------|--------------------------------------------------------------------------------------------------------|
| GTIN (EAN) |  4 017918 036201 |
| sales group | D000 |
| Pack | 10 pcs. |
| Customs tariff | 85366990 |
| Catalog page information | Page 347 (PC-2007) |

Product notes

WEEE/RoHS-compliant since:
02/13/2006



<http://www.download.phoenixcontact.com>
Please note that the data given here has been taken from the online catalog. For comprehensive information and data, please refer to the user documentation. The General Terms and Conditions of Use apply to Internet downloads.

Technical data

General data

| | |
|---------------------------------|-----------------------------------------------------------------------------------------------|
| Note | For HC-B16 housing, crimp contacts CK 2,5-ED (crimp contacts not included in scope of supply) |
| Connection method | Crimp connection |
| Ambient temperature (operation) | -40 °C ... 125 °C (including heating up of contacts) |

HC-B 16-EBUC Order No.: 1771477

<http://eshop.phoenixcontact.de/phoenix/treeViewClick.do?UID=1771477>

| | |
|-----------------------------------------|----------------------------------------------------------------------------------------------|
| Pollution degree | 3 |
| Surge voltage category | III |
| Constructional and testing regulations | DIN VDE 0627/86 |
| | DIN VDE 0110/02.79 |
| | DIN VDE 0110-1/04.97 |
| | IEC 60664-1, DIN IEC 60512 |
| | IEC 60352 |
| Number of positions | 16 |
| Insertion/withdrawal cycles | ≥ 500 |
| Design | B16 |
| Connection in acc. with standard | IEC / EN |
| Conductor cross-section | 0.5 mm ² ... 4 mm ² |
| Connection cross-section AWG | 20 ... 12 |
| Stripping length of the individual wire | 7.5 mm |
| Connection | For housings of type B16/B32. Connectors may only be actuated when there is no load/voltage. |

Material data

| | |
|------------------------------------|-----------------------|
| Inflammability class acc. to UL 94 | V0 |
| Contact material | Copper alloy |
| Contact surface material | Ag (alternatively Au) |
| Contact carrier material | PA |

Electrical characteristics

| | |
|-----------------------|-------|
| Rated voltage (III/3) | 500 V |
| Rated surge voltage | 6 kV |
| Rated current | 16 A |

Certificates / Approvals



Certification

CSA, GOST, UL

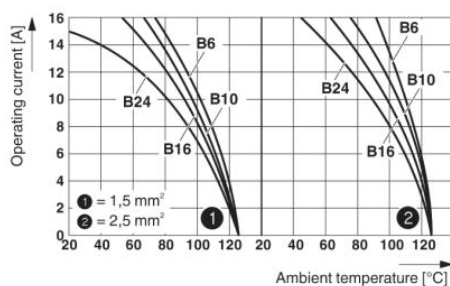
HC-B 16-EBUC Order No.: 1771477
<http://eshop.phoenixcontact.de/phoenix/treeViewClick.do?UID=1771477>

Accessories

| Item | Designation | Description |
|----------------|-------------|---------------------------------------------------------------------------------------------------------------------------|
| General | | |
| 1584693 | CK2,5-ED-BB | Dummy socket for contact carrier with turned CK 1,6-ED.. female contacts |
| 1644326 | HC-B-3PE | PE multiplier, for three PE connections, for HC-B (besides HC-B..E..ZZ) / HC-BB / HC-DD / HC-D40 / HC-D64 contact inserts |
| 1604997 | HC-B-PES | PE screw, for contact inserts HC-B / HC-BB / HC-DD / HC-D40 / HC-D64 |
| 1685327 | HC-B-ZG | Strain relief clamps contact inserts of series: B-, BB-, D 40, D 64, DD and HV, straight cable exit |
| 1685330 | HC-B-ZS | Strain relief clamps contact inserts of series: B-, BB-, D 40, D 64, DD and HV, lateral cable exit |
| 1772722 | HC-CB | Coding pin, prevents mismatching of up to six plug connectors with an identical number of positions |
| 1676860 | HC-CBU | Keying socket for coding up to 16 plug connectors |
| 1676857 | HC-CST | Keying peg for coding up to 16 plug connectors |
| 1687972 | HC-SMR-B16 | HEAVYCON connector assembly frame, for contact inserts of type B16 |

Diagrams/Drawings

Diagram

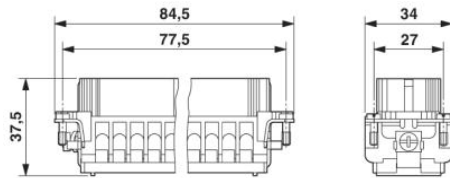


Derating diagram: Series HC-B...S / HC-B...C

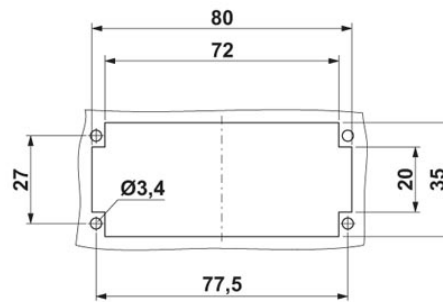
HC-B 16-EBUC Order No.: 1771477

<http://eshop.phoenixcontact.de/phoenix/treeViewClick.do?UID=1771477>

Dimensioned drawing



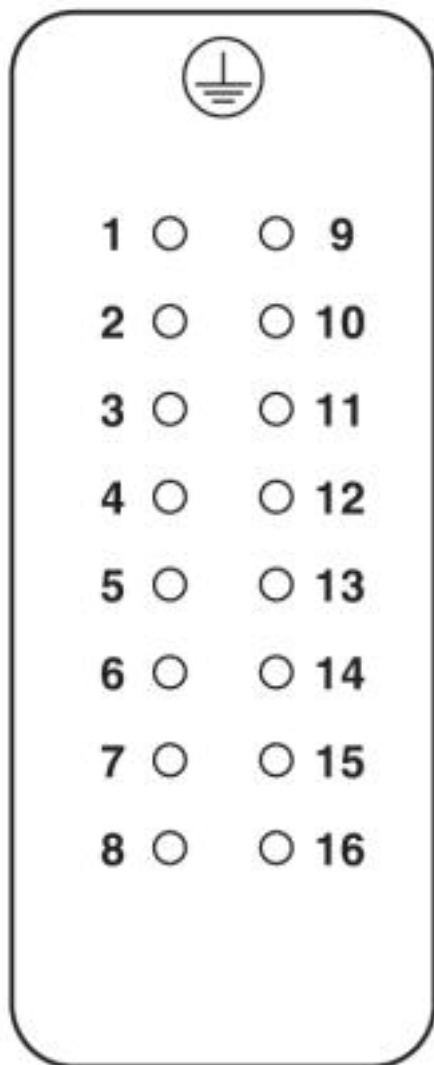
Female insert



Panel cutout

Schematic diagram

Connector pin assignment, connection side



HC-B 16-EBUC Order No.: 1771477

<http://eshop.phoenixcontact.de/phoenix/treeViewClick.do?UID=1771477>

Address

PHOENIX CONTACT Deutschland GmbH
Flachsmarktstr. 8
32825 Blomberg, Germany
Phone +49 5235 3 12000
Fax +49 5235 3 41200
<http://www.phoenixcontact.de>



© 2010 Phoenix Contact
Technical modifications reserved;