

## Excellent Integrated System Limited

Stocking Distributor

Click to view price, real time Inventory, Delivery & Lifecycle Information:

[Phoenix Contact](#)  
[1687820](#)

For any questions, you can email us directly:  
[sales@integrated-circuit.com](mailto:sales@integrated-circuit.com)



Extract from the online catalog

## HC-B 5-EBUC


Order No.: 1687820



<http://eshop.phoenixcontact.de/phoenix/treeViewClick.do?UID=1687820>

HEAVYCON female insert, B5 series, 5-pos., crimp connection

### Commercial data

GTIN (EAN)	 4 017918 831509
sales group	D000
Pack	10 pcs.
Customs tariff	85369010
Catalog page information	Page 428 (PC-2009)

### Product notes

WEEE/RoHS-compliant since:  
08/02/2006



<http://www.download.phoenixcontact.com>  
 Please note that the data given here has been taken from the online catalog. For comprehensive information and data, please refer to the user documentation. The General Terms and Conditions of Use apply to Internet downloads.

### Technical data

#### General data

Note	for HC-D7 housing, CK2,5-ED crimp contacts (crimp contacts not included in scope of supply)
Connection method	Crimp connection

HC-B 5-EBUC Order No.: 1687820

<http://eshop.phoenixcontact.de/phoenix/treeViewClick.do?UID=1687820>

Ambient temperature (operation)	-40 °C ... 125 °C (including heating up of contacts)
Pollution degree	3
Surge voltage category	III
Number of positions	5
Insertion/withdrawal cycles	≥ 500
Design	B5
Connection in acc. with standard	IEC / EN
Conductor cross-section	0.5 mm <sup>2</sup> ... 2.5 mm <sup>2</sup>
Connection cross-section AWG	20 ... 14
Stripping length of the individual wire	7.5 mm
Assembly instructions	Connectors may be operated only when there is no load/voltage.

**Material data**

Inflammability class acc. to UL 94	V0
Contact material	Copper alloy
Contact surface material	Ag (alternatively Au)
Contact carrier material	PA

**Electrical characteristics**

Rated voltage (III/3)	230 V (Conductor-PE)
	400 V (Conductor-Conductor)
Rated surge voltage	4 kV
Rated current	16 A

**Certificates / Approvals**



Certification

CUL, GOST, UL

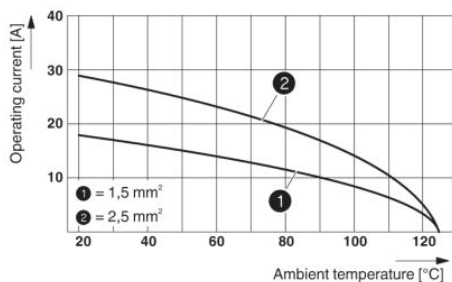
**Accessories**

Item	Designation	Description
1584693	CK2,5-ED-BB	Dummy socket for contact carrier with turned CK 1,6-ED.. female contacts

HC-B 5-EBUC Order No.: 1687820  
<http://eshop.phoenixcontact.de/phoenix/treeViewClick.do?UID=1687820>

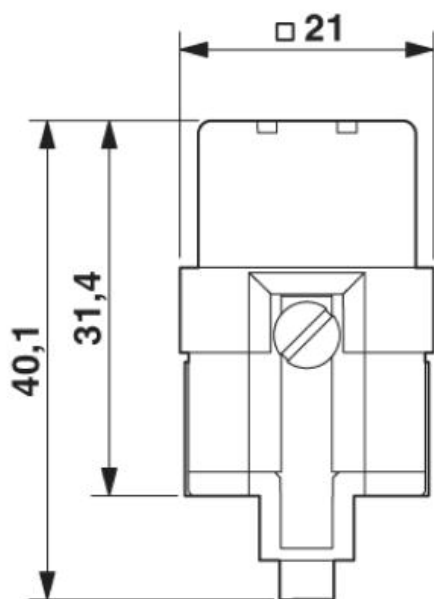
**Diagrams/Drawings**

Diagram



Derating diagram: Series B 5

Dimensioned drawing



Female insert

Schematic diagram



HC-B 5-EBUC Order No.: 1687820  
<http://eshop.phoenixcontact.de/phoenix/treeViewClick.do?UID=1687820>

---

**Address**

PHOENIX CONTACT Inc., USA  
586 Fulling Mill Road  
Middletown, PA 17057, USA  
Phone (800) 888-7388  
Fax (717) 944-1625  
<http://www.phoenixcon.com>



© 2010 Phoenix Contact  
Technical modifications reserved;