

## Excellent Integrated System Limited

Stocking Distributor

Click to view price, real time Inventory, Delivery & Lifecycle Information:

[Phoenix Contact](#)  
[1773271](#)

For any questions, you can email us directly:  
[sales@integrated-circuit.com](mailto:sales@integrated-circuit.com)



Extract from the online catalog

## HC-D 7-TFL-48/M1PG11S

Order No.: 1773271



<http://eshop.phoenixcontact.de/phoenix/treeViewClick.do?UID=1773271>

Sleeve housing, for single locking latch, height 48 mm, with screw connection, 1 x Pg11, lateral cable entry, material zinc

Commercial data	
GTIN (EAN)	 4 017918 122270
sales group	D011
Pack	10 pcs.
Customs tariff	85389099
Catalog page information	Page 508 (PC-2009)

### Product notes

WEEE/RoHS-compliant since:  
03/01/2006



<http://www.download.phoenixcontact.com>  
 Please note that the data given here has been taken from the online catalog. For comprehensive information and data, please refer to the user documentation. The General Terms and Conditions of Use apply to Internet downloads.

## Technical data

General data	
Note	For contact inserts HC-D7, D8, A3, A4, B5, HS2-D7
Design	D7
Height	48 mm
Width	28 mm
Length	26.5 mm

HC-D 7-TFL-48/M1PG11S Order No.: 1773271  
<http://eshop.phoenixcontact.de/phoenix/treeViewClick.do?UID=1773271>

Housing type	Sleeve housings
Locking type	for single locking latch
Cable exit	Lateral
Type of the screw connection	1x Pg11
Pg screw connection	With
Wrench size, union nut	18 mm
External cable diameter	7.5 mm ... 12.5 mm
Degree of protection	IP54 / IP65 with sealing screw
Ambient temperature (operation)	-40 °C ... 125 °C
Housing material	Zinc die-cast
Housing surface material	Powder-coated, gray
Cable gland material	Nickel-plated brass
Cable seal material	NBR

**Certificates / Approvals**



Certification GOST

**Accessories**

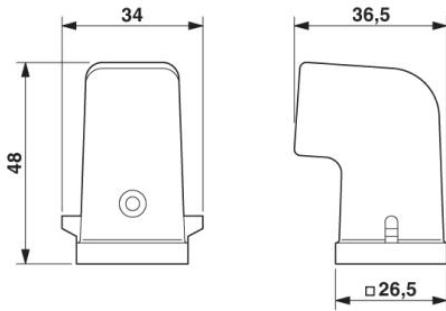
Item	Designation	Description
<b>Assembly</b>		
1686229	HC-D 7-DS-IP65	Sealing screw, for IP65 protection

HC-D 7-TFL-48/M1PG11S Order No.: 1773271

<http://eshop.phoenixcontact.de/phoenix/treeViewClick.do?UID=1773271>

## Diagrams/Drawings

Dimensioned drawing



HC-D 7-TFL-48/M1PG11S Order No.: 1773271  
<http://eshop.phoenixcontact.de/phoenix/treeViewClick.do?UID=1773271>

---

**Address**

PHOENIX CONTACT Inc., USA  
586 Fulling Mill Road  
Middletown, PA 17057, USA  
Phone (800) 888-7388  
Fax (717) 944-1625  
<http://www.phoenixcon.com>



© 2010 Phoenix Contact  
Technical modifications reserved;