

## **Excellent Integrated System Limited**

Stocking Distributor

Click to view price, real time Inventory, Delivery & Lifecycle Information:

[Phoenix Contact](#)  
[1772887](#)

For any questions, you can email us directly:  
[sales@integrated-circuit.com](mailto:sales@integrated-circuit.com)



Extract from the online catalog

## HC-KA-B 6-ST/PER


Order No.: 1772887

The illustration shows version HC-KA-B 16-ST/PER



<http://eshop.phoenixcontact.de/phoenix/treeViewClick.do?UID=1772887>

HEAVYCON terminal adapter male insert, B6 series, 6. pos., protective conductor connection on the right for the left side of the control cabinet, screw connection; contact inserts with screw, crimp, and QUICKON connections usable as mating connectors.

| Commercial data          |  |
|--------------------------|--|
| GTIN (EAN)               | <br>4 017918 037499 |
| sales group              | D004   |
| Pack                     | 5 pcs.   |
| Customs tariff           | 85369010   |
| Catalog page information | Page 382 (PC-2007)   |

### Product notes

WEEE/RoHS-compliant since:  
12/01/2005



<http://www.download.phoenixcontact.com>  
 Please note that the data given here has been taken from the online catalog. For comprehensive information and data, please refer to the user documentation. The General Terms and Conditions of Use apply to Internet downloads.

### Technical data

#### Electrical characteristics

|      |  |
|------|--|
| Note | For HEAVYCON ADVANCE panel mounting flange and HEAVYCON panel mounting base of type B6. Contact inserts with screw, crimp, and QUICKON connections can be used as mating connectors. |
|------|--|

HC-KA-B 6-ST/PER Order No.: 1772887

<http://eshop.phoenixcontact.de/phoenix/treeViewClick.do?UID=1772887>

|                                  |          |
|----------------------------------|----------|
| Number of positions              | 6        |
| Connection in acc. with standard | IEC / EN |
| Rated voltage (III/3)            | 400 V    |
| Rated surge voltage              | 6 kV     |
| Rated current                    | 16 A     |

**Mechanical characteristics**

|   |   |
|---|---|
| Design                                  | B6  |
| Connection method                       | Screw connection                            |
| Tightening torque                       | 0.5 Nm ... 0.8 Nm                           |
| Stripping length of the individual wire | 14 mm                                       |
| Conductor cross-section                 | 0.2 mm <sup>2</sup> ... 2.5 mm <sup>2</sup> |
| Connection cross-section AWG            | 22 ... 12                                   |

**General characteristics**

|                                    |  |
|------------------------------------|--|
| Contact material                   | Copper alloy   |
| Contact surface material           | Ag   |
| Contact carrier material           | PA / PC  |
| Terminal adapter width             | 26.3 mm  |
| Height                             | 34 mm  |
| Pollution degree                   | 3  |
| Surge voltage category             | III  |
| Inflammability class acc. to UL 94 | V0   |
| Connection in acc. with standard   | IEC / EN   |
| Ambient temperature (operation)    | -40 °C ... 125 °C  |
| Assembly instructions              | Connectors may be operated only when there is no load/voltage. |

**Certificates / Approvals**


Certification

CSA, GOST, UL

HC-KA-B 6-ST/PER Order No.: 1772887

<http://eshop.phoenixcontact.de/phoenix/treeViewClick.do?UID=1772887>

### Accessories

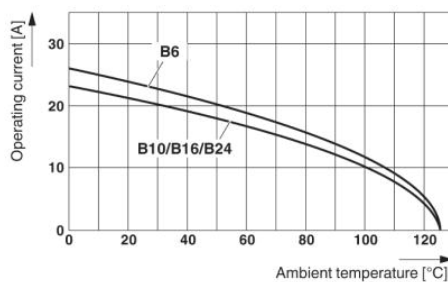
| Item | Designation | Description |
|------|-------------|-------------|
|------|-------------|-------------|

### Assembly

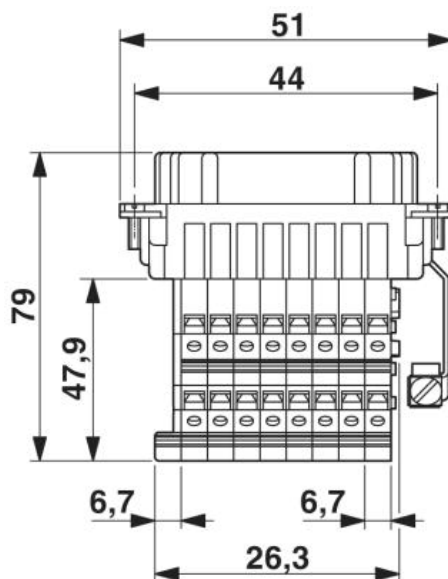
|         |          |   |
|---------|----------|---|
| 1775240 | HC-KA-FE | Foot element, for mounting on DIN rail NS 32, DIN rail NS 35/7.5 or DIN rail NS 35/15, can be inserted between basic and side element |
| 1660083 | HC-VSH   | Locking screw barrel, for a firm connection of contact inserts and DIN-rail mountable terminal adapters                               |

### Diagrams/Drawings

Diagram



Dimensioned drawing



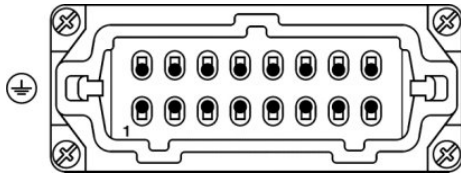
HC-KA-B 6-ST/PER Order No.: 1772887

<http://eshop.phoenixcontact.de/phoenix/treeViewClick.do?UID=1772887>

---

Schematic diagram

---



HC-KA-B 6-ST/PER Order No.: 1772887

<http://eshop.phoenixcontact.de/phoenix/treeViewClick.do?UID=1772887>

---

**Address**

PHOENIX CONTACT Deutschland GmbH  
Flachsmarktstr. 8  
32825 Blomberg, Germany  
Phone +49 5235 3 12000  
Fax +49 5235 3 41200  
<http://www.phoenixcontact.de>



© 2010 Phoenix Contact  
Technical modifications reserved;