

Excellent Integrated System Limited

Stocking Distributor

Click to view price, real time Inventory, Delivery & Lifecycle Information:

[Phoenix Contact](#)
[1774513](#)

For any questions, you can email us directly:
sales@integrated-circuit.com

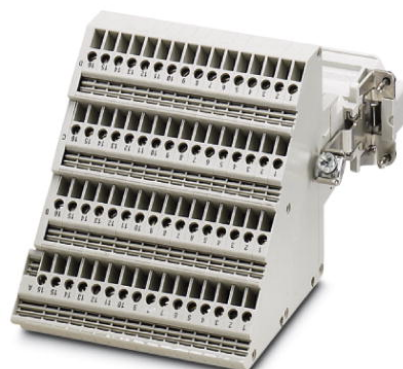


Extract from the online catalog

HC-KA-D 64-ST/PER


This product has been replaced by a newer version.

Order No.: 1774513



<http://eshop.phoenixcontact.de/phoenix/treeViewClick.do?UID=1774513>

HEAVYCON terminal adapter male insert, D64 series, 64-pos., right protective conductor connection for the left side of the control cabinet, screw connection

| Commercial data | |
|--------------------------|--|
| GTIN (EAN) |  4 017918 037802 |
| Note | Made-to-order |
| sales group | D012 |
| Pack | 4 pcs. |
| Customs tariff | 85369010 |
| Catalog page information | Page 384 (PC-2007) |

Product notes

WEEE/RoHS-compliant since:
06/27/2006



<http://www.download.phoenixcontact.com>
 Please note that the data given here has been taken from the online catalog. For comprehensive information and data, please refer to the user documentation. The General Terms and Conditions of Use apply to Internet downloads.

Technical data

| Electrical characteristics | |
|----------------------------------|---|
| Note | For HEAVYCON-ADVANCE mounting flange and HEAVYCON panel mounting base of B24 type |
| Number of positions | 64 |
| Connection in acc. with standard | IEC / EN |

HC-KA-D 64-ST/PER Order No.: 1774513

<http://eshop.phoenixcontact.de/phoenix/treeViewClick.do?UID=1774513>

| | |
|-----------------------|-------|
| Rated voltage (III/3) | 250 V |
| Rated surge voltage | 4 kV |
| Rated current | 10 A |

Mechanical characteristics

| | |
|---|---|
| Design | D64 |
| Connection method | Screw connection |
| Tightening torque | 0.5 Nm ... 0.8 Nm |
| Stripping length of the individual wire | 10 mm |
| Conductor cross-section | 0.2 mm ² ... 2.5 mm ² |
| Connection cross-section AWG | 22 ... 12 |

General characteristics

| | |
|------------------------------------|---|
| Contact material | Copper alloy |
| Contact surface material | Ag |
| Contact carrier material | PA / PC |
| Terminal adapter width | 86.3 mm |
| Height | 81 mm |
| Pollution degree | 3 |
| Surge voltage category | III |
| Inflammability class acc. to UL 94 | V0 |
| Connection in acc. with standard | IEC / EN |
| Ambient temperature (operation) | -40 °C ... 125 °C |
| Installation instructions | Connectors may be plugged in only when there is no load/voltage. Not for HC-B 24-AMQ-EMV housings |

Certificates / Approvals


Certification

CSA, GOST, UL

HC-KA-D 64-ST/PER Order No.: 1774513

<http://eshop.phoenixcontact.de/phoenix/treeViewClick.do?UID=1774513>

Accessories

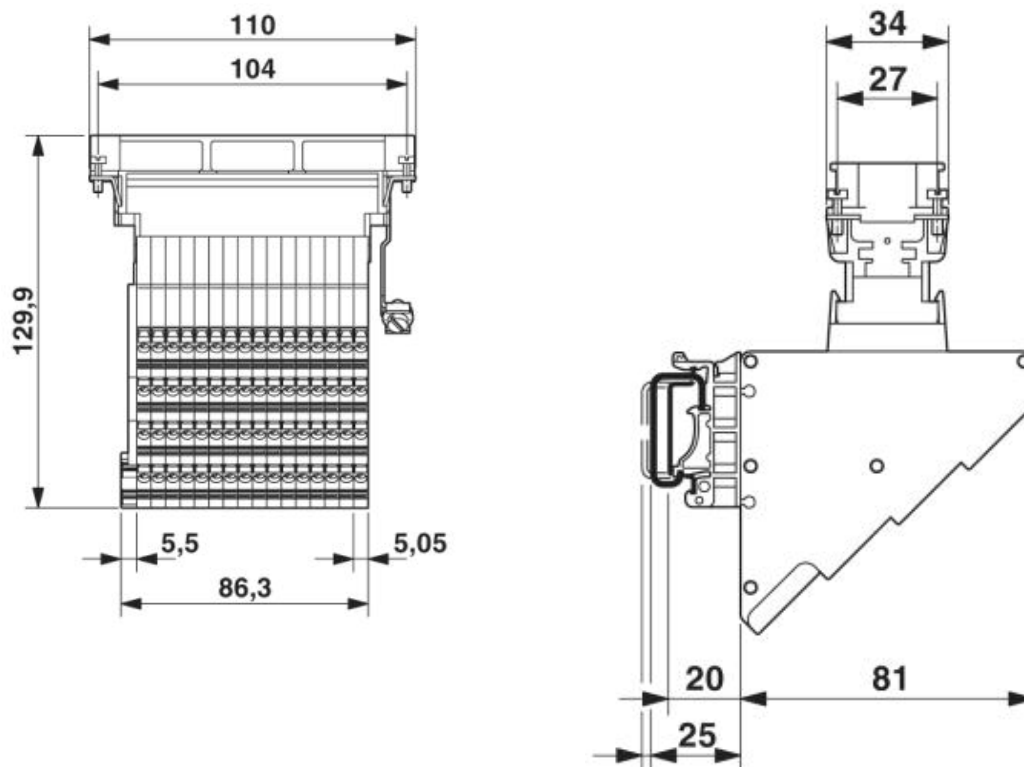
| Item | Designation | Description |
|------|-------------|-------------|
|------|-------------|-------------|

Assembly

| | | |
|---------|----------|---|
| 1775240 | HC-KA-FE | Foot element, for mounting on DIN rail NS 32, DIN rail NS 35/7.5 or DIN rail NS 35/15, can be inserted between basic and side element |
| 1660083 | HC-VSH | Locking screw barrel, for a firm connection of contact inserts and DIN-rail mountable terminal adapters |

Diagrams/Drawings

Dimensioned drawing



HC-KA-D 64-ST/PER Order No.: 1774513

<http://eshop.phoenixcontact.de/phoenix/treeViewClick.do?UID=1774513>

Address

PHOENIX CONTACT Deutschland GmbH
Flachsmarktstr. 8
32825 Blomberg, Germany
Phone +49 5235 3 12000
Fax +49 5235 3 41200
<http://www.phoenixcontact.de>



© 2010 Phoenix Contact
Technical modifications reserved;