

Excellent Integrated System Limited

Stocking Distributor

Click to view price, real time Inventory, Delivery & Lifecycle Information:

[Phoenix Contact](#)
[1690626](#)

For any questions, you can email us directly:

sales@integrated-circuit.com



Extract from the online catalog

HC-K-KV-M20(8-13)


Order No.: 1690626



<http://eshop.phoenixcontact.de/phoenix/treeViewClick.do?UID=1690626>

Plastic screw connection up to 5 bar, thread length: 8 mm, cable diameter: 8 - 13 mm, WAF 24, screw connection: M20

Commercial data

GTIN (EAN)	 4 017918 822675
sales group	D290
Pack	25 pcs.
Customs tariff	39269097
Catalog page information	Page 520 (PC-2009)

Product notes

WEEE/RoHS-compliant since:
02/16/2006



<http://www.download.phoenixcontact.com>
Please note that the data given here has been taken from the online catalog. For comprehensive information and data, please refer to the user documentation. The General Terms and Conditions of Use apply to Internet downloads.

Technical data

General data

Type of the screw connection	M20
Cable gland material	Polyamide, RAL 7035
Seal material	Neoprene
Cable seal material	Neoprene
Wrench size, union nut	24 mm

HC-K-KV-M20(8-13) Order No.: 1690626

<http://eshop.phoenixcontact.de/phoenix/treeViewClick.do?UID=1690626>

Wrench size, support	24 mm
Thread type connection side 1	M20
Length of the connecting thread	8.00 mm
External cable diameter	8 mm ... 13 mm
Conductor sealing range	8.00 mm ... 13.00 mm
Tightening torque, union nut	4.00 Nm
Inflammability class acc. to UL 94	V2
Degree of protection	IP68, to 5 bar
Color	Silver gray
Ambient temperature (operation)	-20 °C ... 100 °C

Certificates / Approvals

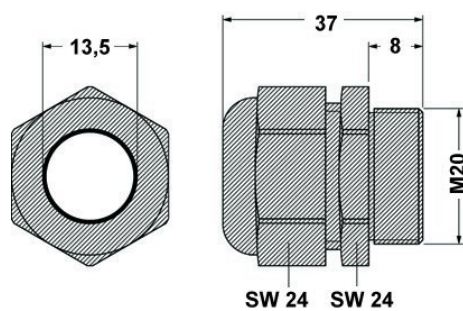


Certification

GOST

Diagrams/Drawings

Dimensioned drawing



HC-K-KV-M20(8-13) Order No.: 1690626

<http://eshop.phoenixcontact.de/phoenix/treeViewClick.do?UID=1690626>

Address

PHOENIX CONTACT Deutschland GmbH
Flachsmarktstr. 8
32825 Blomberg, Germany
Phone +49 5235 3 12000
Fax +49 5235 3 41200
<http://www.phoenixcontact.de>



© 2010 Phoenix Contact
Technical modifications reserved;