

Excellent Integrated System Limited

Stocking Distributor

Click to view price, real time Inventory, Delivery & Lifecycle Information:

[Phoenix Contact](#)
[1679346](#)

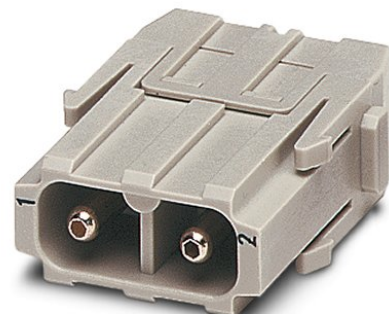
For any questions, you can email us directly:
sales@integrated-circuit.com



Extract from the online catalog

HC-M-02-MOD-ST


Order No.: 1679346



<http://eshop.phoenixcontact.de/phoenix/treeViewClick.do?UID=1679346>

HEAVYCON contact insert module, male, 2-pos., axial screw connection

Commercial data

| | |
|--------------------------|--|
| GTIN (EAN) |  4 017918 162528 |
| sales group | D042 |
| Pack | 2 pcs. |
| Customs tariff | 85369010 |
| Catalog page information | Page 453 (PC-2009) |

Product notes

WEEE/RoHS-compliant since:
06/30/2006



<http://www.download.phoenixcontact.com>
Please note that the data given here has been taken from the online catalog. For comprehensive information and data, please refer to the user documentation. The General Terms and Conditions of Use apply to Internet downloads.

Technical data

Electrical characteristics

| | |
|---------------------------------|--|
| Note | For housing HC-B6 to B48, for housing HC-ADVANCE-B6 to B24, hinged retaining frame HC-M-MHR... necessary |
| Rated voltage (III/3) | 1000 V |
| Rated current | 40 A |
| Rated surge voltage | 8 kV |
| Ambient temperature (operation) | -40 °C ... 125 °C |
| Number of positions | 2 |

HC-M-02-MOD-ST Order No.: 1679346

<http://eshop.phoenixcontact.de/phoenix/treeViewClick.do?UID=1679346>

Mechanical characteristics

| | |
|---|---|
| Conductor cross-section | 2.5 mm ² ... 8 mm ² |
| Connection cross-section AWG | 12 ... 10 |
| Stripping length of the individual wire | 8 mm + 1 (for 6 mm ²) |
| | 5 mm + 1 (For 2.5 mm ² ... 4 mm ²) |
| | 11 mm +1 (for 8 mm ²) |
| Tightening torque | 1.5 Nm (2.5 - 4 mm ²) |
| | 2 Nm (6 -8 mm ²) |
| Wire diameter including insulation | 6 mm (6 mm ²) |
| | 10.5 mm (8 mm ²) |
| | 4 mm (2.5 mm ² ... 4 mm ²) |
| Hexagonal socket | WAF 2 |
| Insertion/withdrawal cycles | ≥ 500 |

General characteristics

| | |
|------------------------------------|--|
| Number of module slots | 1 |
| Connection method | Axial screw connection |
| Connection in acc. with standard | IEC / EN |
| Inflammability class acc. to UL 94 | V0 |
| Pollution degree | 3 |
| Surge voltage category | III |
| Assembly instructions | - Connection of the wires using a 2 mm Allen wrench.- Housing height ≥ 52 mm.- Axial screw connection only for flexible wires.- Plug-in connections may only be operated only when there is no load/voltage. |
| Connection | Note regarding axial connection technology: Only for stranded wires. The conductor cross-sections stated refer to the geometric cross-section of the cable used. Use of cables with a geometric cross-section very different from that of the cable's nominal cross-section should be checked before use. The wiring space of the axial screw method is designed for fine strand cables according to VDE 0295 class 5. Deviating cable structures (e.g. class 6 cables) should be checked before use. Connection Before starting to connect, ensure that the tapered screw is turned back all the way (chamber is open). The cables must not be twisted. The cores should be slid to the limit stop in the contact chamber (until insulation touches contact). Hold cores in position and use socket wrench to tighten. The used core end should be cut off before connecting again. The connection screw may only be retightened once to prevent the strands from breaking. To prevent damage to the contact, the core / cable should be mechanically intercepted at an appropriate distance from the connection point (e.g. by using a plate cutout). DIN VDE 0100-520:2003-06 contains information on how to do this correctly. |

HC-M-02-MOD-ST Order No.: 1679346

<http://eshop.phoenixcontact.de/phoenix/treeViewClick.do?UID=1679346>

Material data

| | |
|--------------------------|--------------|
| Contact material | Copper alloy |
| Contact surface material | Ag |
| Contact carrier material | PC |

Certificates / Approvals



Certification

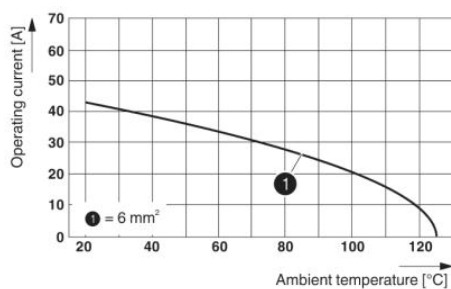
CUL, GOST, UL

Accessories

| Item | Designation | Description |
|---------|---------------|--|
| 1636981 | HC-M-MHR-PE16 | Cable lug for HEAVYCON-MODULAR; PE connection extension to 16 mm ² , for crimping with crimp pliers |

Diagrams/Drawings

Diagram

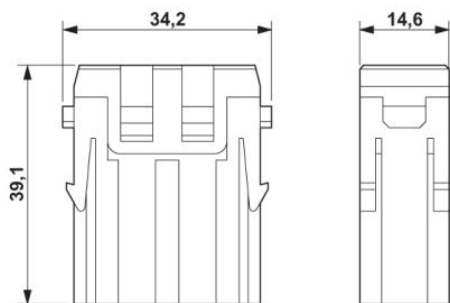


Derating diagram (6 modules in HC-B 24 housing)

HC-M-02-MOD-ST Order No.: 1679346

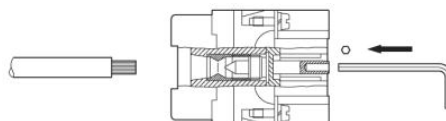
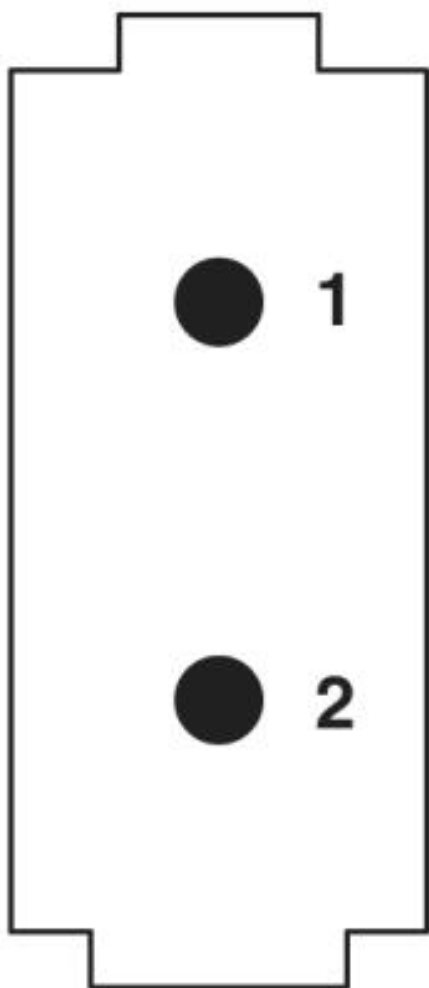
<http://eshop.phoenixcontact.de/phoenix/treeViewClick.do?UID=1679346>

Dimensioned drawing



Male insert

Schematic diagram



Axial connection

Connector pin assignment

HC-M-02-MOD-ST Order No.: 1679346

<http://eshop.phoenixcontact.de/phoenix/treeViewClick.do?UID=1679346>

Address

PHOENIX CONTACT Deutschland GmbH
Flachsmarktstr. 8
32825 Blomberg, Germany
Phone +49 5235 3 12000
Fax +49 5235 3 41200
<http://www.phoenixcontact.de>



© 2010 Phoenix Contact
Technical modifications reserved;