

Excellent Integrated System Limited

Stocking Distributor

Click to view price, real time Inventory, Delivery & Lifecycle Information:

[Phoenix Contact](#)
[1663213](#)

For any questions, you can email us directly:
sales@integrated-circuit.com



Extract from the online catalog

HC-M-03-MOD-ST

Order No.: 1663213



<http://eshop.phoenixcontact.de/phoenix/treeViewClick.do?UID=1663213>

HEAVYCON contact insert module, male, 3-pos., crimp connection

Commercial data	
GTIN (EAN)	 4 017918 123024
sales group	D042
Pack	2 pcs.
Customs tariff	85369010
Catalog page information	Page 185 (PC-2002)

Product notes

WEEE/RoHS-compliant since:
10/30/2006



<http://www.download.phoenixcontact.com>
 Please note that the data given here has been taken from the online catalog. For comprehensive information and data, please refer to the user documentation. The General Terms and Conditions of Use apply to Internet downloads.

Certificates / Approvals



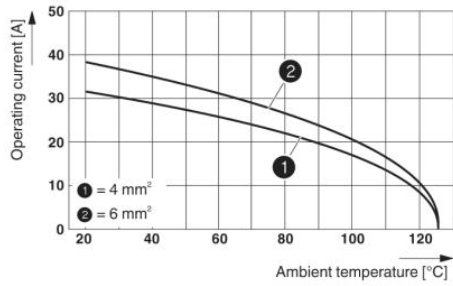
Certification

CSA, GOST, UL

HC-M-03-MOD-ST Order No.: 1663213
<http://eshop.phoenixcontact.de/phoenix/treeViewClick.do?UID=1663213>

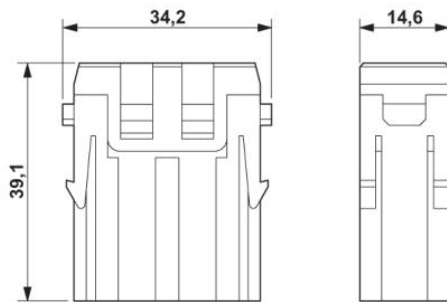
Diagrams/Drawings

Diagram



Derating diagram (6 modules in HC-B 24 housing)

Dimensioned drawing



Male insert

HC-M-03-MOD-ST Order No.: 1663213

<http://eshop.phoenixcontact.de/phoenix/treeViewClick.do?UID=1663213>

Address

PHOENIX CONTACT Deutschland GmbH
Flachsmarktstr. 8
32825 Blomberg, Germany
Phone +49 5235 3 12000
Fax +49 5235 3 41200
<http://www.phoenixcontact.de>



© 2010 Phoenix Contact
Technical modifications reserved;