

## Excellent Integrated System Limited

Stocking Distributor

Click to view price, real time Inventory, Delivery & Lifecycle Information:

[Phoenix Contact](#)  
[1679249](#)

For any questions, you can email us directly:

[sales@integrated-circuit.com](mailto:sales@integrated-circuit.com)



Extract from the online catalog

## HC-M-MHR-T2-N

Order No.: 1679249



<http://eshop.phoenixcontact.de/phoenix/treeViewClick.do?UID=1679249>

HEAVYCON hinged retaining frame, for HC-B 6 sleeve housing, for 2 modules, labeling with upper case letters (A, B)

Commercial data	
GTIN (EAN)	 4 017918 162627
sales group	D041
Pack	2 pcs.
Customs tariff	85369010
Catalog page information	Page 464 (PC-2009)

### Product notes

WEEE/RoHS-compliant since:  
10/30/2006



<http://www.download.phoenixcontact.com>  
Please note that the data given here has been taken from the online catalog. For comprehensive information and data, please refer to the user documentation. The General Terms and Conditions of Use apply to Internet downloads.

## Technical data

Electrical characteristics	
Note	Hinged retaining frame
Ambient temperature (operation)	-40 °C ... 125 °C

HC-M-MHR-T2-N Order No.: 1679249

<http://eshop.phoenixcontact.de/phoenix/treeViewClick.do?UID=1679249>

**Mechanical characteristics**

Conductor cross-section	4 mm <sup>2</sup> ... 6 mm <sup>2</sup> (for PE conductor – power side)
	1 mm <sup>2</sup> ... 2.5 mm <sup>2</sup> (for PE conductor – control side)
Connection cross-section AWG	12 ... 10 (for PE conductor – power side)
	18 ... 14 (for PE conductor – control side)
Insertion/withdrawal cycles	≥ 500

**General characteristics**

Design	B6
Number of module slots	2
Assembly instructions	HC-MHR-PE16 ( 1636981) for PE connection extension to 16 mm <sup>2</sup> .

**Material data**

Contact carrier material	Die-cast zinc alloy
--------------------------	---------------------

**Certificates / Approvals**



Certification GOST

**Accessories**

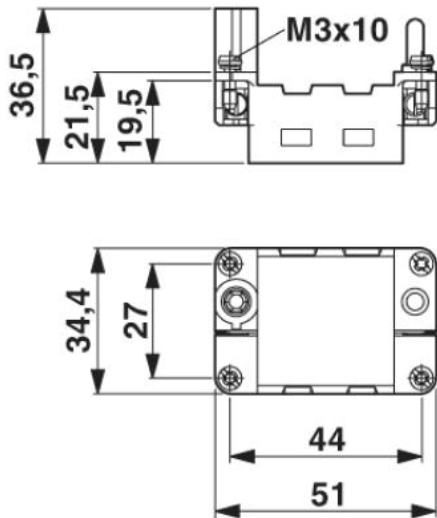
Item	Designation	Description
<b>General</b>		
1585155	HC-M-MHR-FIX	Fixing wedge to fix the hinged retaining frame (20 wedges on the block)
<b>Plug/Adapter</b>		
1636981	HC-M-MHR-PE16	Cable lug for HEAVYCON-MODULAR; PE connection extension to 16 mm <sup>2</sup> , for crimping with crimp pliers

HC-M-MHR-T2-N Order No.: 1679249

<http://eshop.phoenixcontact.de/phoenix/treeViewClick.do?UID=1679249>

## Diagrams/Drawings

Dimensioned drawing



HC-M-MHR-T2-N Order No.: 1679249

<http://eshop.phoenixcontact.de/phoenix/treeViewClick.do?UID=1679249>

---

#### Address

PHOENIX CONTACT Deutschland GmbH  
Flachsmarktstr. 8  
32825 Blomberg, Germany  
Phone +49 5235 3 12000  
Fax +49 5235 3 41200  
<http://www.phoenixcontact.de>



© 2010 Phoenix Contact  
Technical modifications reserved;