

## Excellent Integrated System Limited

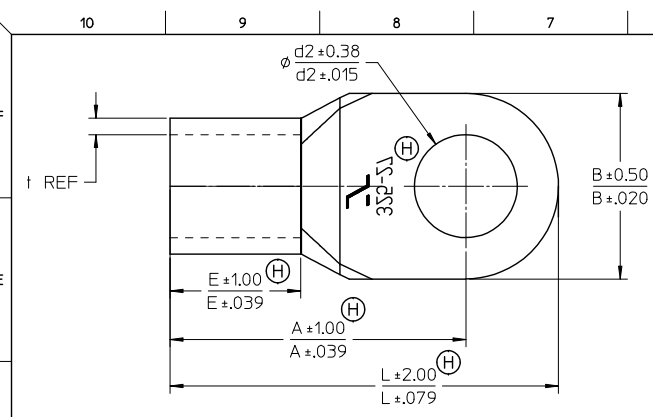
Stocking Distributor

Click to view price, real time Inventory, Delivery & Lifecycle Information:

[Molex Connector Corporation](#)  
[0193171016](#)

For any questions, you can email us directly:

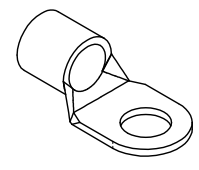
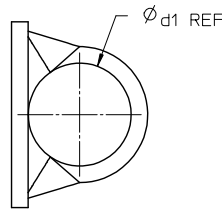
[sales@integrated-circuit.com](mailto:sales@integrated-circuit.com)



193174027 SHOWN

**NOTES:**

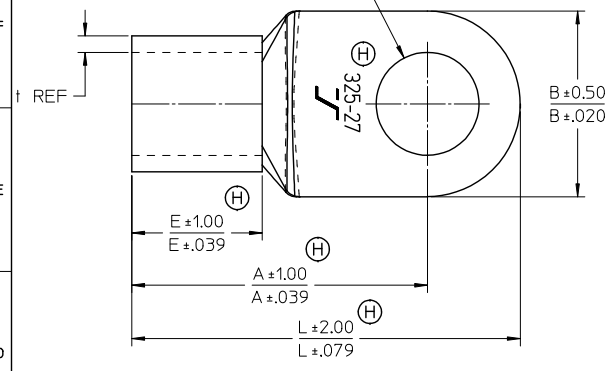
1. MATERIAL: TIN PLATED COPPER
2. PRODUCT IS ROHS COMPLIANT
3. TERMINAL MARKED AS SHOWN



MATERIAL NO.	WIRE RANGE		A	B	d1∅	d2∅	E	L	mm		inch	
	MCM	mm <sup>2</sup>							t	t		
	193171008	250-300							117-152	50.0	36.0	19.5
193171010	250-300	117-152	50.0	36.0	19.5	10.5	27.0	66.0	3.2	0.13	0.13	0.13
193171012	250-300	117-152	50.0	36.0	19.5	13.0	27.0	66.0	3.2	0.13	0.13	0.13
193171014	250-300	117-152	50.0	36.0	19.5	15.0	27.0	66.0	3.2	0.13	0.13	0.13
193171016	250-300	117-152	50.0	36.0	19.5	17.0	27.0	66.0	3.2	0.13	0.13	0.13
193171110	250-300	117-152	63.0	36.0	19.5	10.5	27.0	81.0	3.2	0.13	0.13	0.13
193171112	250-300	117-152	63.0	36.0	19.5	13.0	27.0	81.0	3.2	0.13	0.13	0.13
193171116	250-300	117-152	63.0	36.0	19.5	17.0	27.0	81.0	3.2	0.13	0.13	0.13
193171018	250-300	117-152	63.0	36.0	19.5	19.0	27.0	81.0	3.2	0.13	0.13	0.13
193171020	250-300	117-152	63.0	36.0	19.5	21.0	27.0	81.0	3.2	0.13	0.13	0.13
193171022	250-300	117-152	63.0	36.0	19.5	23.0	27.0	81.0	3.2	0.13	0.13	0.13
193171024	250-300	117-152	63.0	36.0	19.5	25.0	27.0	81.0	3.2	0.13	0.13	0.13
193171027	250-300	117-152	63.0	36.0	19.5	28.0	27.0	81.0	3.2	0.13	0.13	0.13

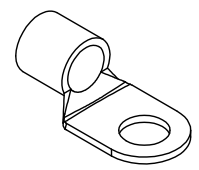
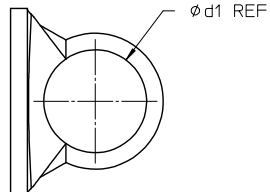
LOGO & TOL UPDATED EC NO: PG2013-1515 DRAWN BY: CHYK CHECKED: APPRE: MACNEIL 2013/04/01 2013/05/14	QUALITY SYMBOLS	GENERAL TOLERANCES (UNLESS SPECIFIED)	DIMENSION STYLE	SCALE	DESIGN UNITS	THIRD ANGLE PROJECTION
	▽=0 ▽=0	mm INCH 4 PLACES ± --- ± --- 3 PLACES ± --- ± --- 2 PLACES ± --- ± --- 1 PLACE ± --- ± --- ANGULAR ± ---°	MM/IN	1:2	METRIC	DRAWN BY: MODELL DATE: 2009/02/18 CHECKED BY: RDEROSS DATE: 2009/02/18 APPROVED BY: RDEROSS DATE: 2009/02/18
		DRAFT WHERE APPLICABLE MUST REMAIN WITHIN DIMENSIONS	SEE TABLE	TITLE: SL SERIES RING TYPE CONNECTORS 250-600MCM MOLEX INCORPORATED DOCUMENT NO. SD-19317-001 SHEET NO. 1 OF 4		
				THIS DRAWING CONTAINS INFORMATION THAT IS PROPRIETARY TO MOLEX INCORPORATED AND SHOULD NOT BE USED WITHOUT WRITTEN PERMISSION		

10 9 8 7 6 5 4 3 2 19317



193174027 SHOWN

SEE NOTES ON SHEET 1

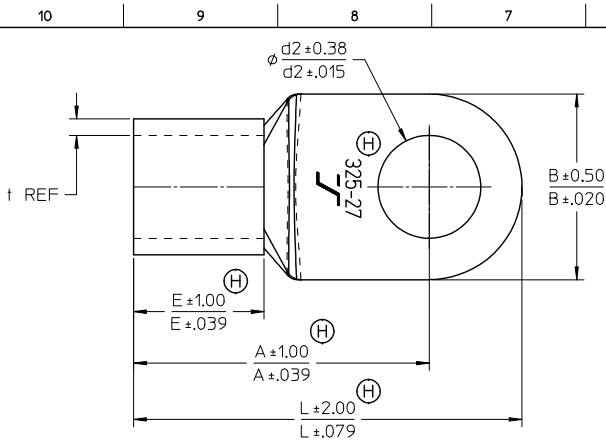


MATERIAL NO.	WIRE RANGE		A	B	d1Ø	d2Ø	E	L	mm	
	MCM	mm <sup>2</sup>							t	inch
193172008	300-350	152-193	53.0 2.09	38.5 1.52	21.0 0.83	8.4 0.33	28.5 1.12	69.0 2.72	3.5 0.14	
193172010	300-350	152-193	53.0 2.09	38.5 1.52	21.0 0.83	10.5 0.41	28.5 1.12	69.0 2.72	3.5 0.14	
193172012	300-350	152-193	53.0 2.09	38.5 1.52	21.0 0.83	13.0 0.51	28.5 1.12	69.0 2.72	3.5 0.14	
193172014	300-350	152-193	53.0 2.09	38.5 1.52	21.0 0.83	15.0 0.59	28.5 1.12	69.0 2.72	3.5 0.14	
193172016	300-350	152-193	53.0 2.09	38.5 1.52	21.0 0.83	17.0 0.67	28.5 1.12	69.0 2.72	3.5 0.14	
193172112	300-350	152-193	67.5 2.66	38.5 1.52	21.0 0.83	13.0 0.51	28.5 1.12	86.8 3.42	3.5 0.14	
193172018	300-350	152-193	67.5 2.66	38.5 1.52	21.0 0.83	19.0 0.75	28.5 1.12	86.8 3.42	3.5 0.14	
193172020	300-350	152-193	67.5 2.66	38.5 1.52	21.0 0.83	21.0 0.83	28.5 1.12	86.8 3.42	3.5 0.14	
193172022	300-350	152-193	67.5 2.66	38.5 1.52	21.0 0.83	23.0 0.91	28.5 1.12	86.8 3.42	3.5 0.14	
193172024	300-350	152-193	67.5 2.66	38.5 1.52	21.0 0.83	25.0 0.98	28.5 1.12	86.8 3.42	3.5 0.14	
193172027	300-350	152-193	67.5 2.66	38.5 1.52	21.0 0.83	28.0 1.10	28.5 1.12	86.8 3.42	3.5 0.14	

(H)

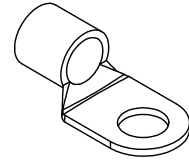
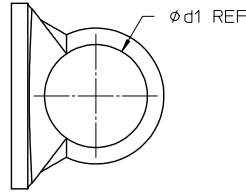
<b>LOGO &amp; TOL UPDATED</b> EC NO: PG2013-1515 DRAWN BY: RICK CHKD: JACQUEL APPR: JACQUEL 2013/04/01 2013/05/14	QUALITY SYMBOLS ▽=0 ▽=0	GENERAL TOLERANCES (UNLESS SPECIFIED) mm INCH 4 PLACES ± --- ± --- 3 PLACES ± --- ± --- 2 PLACES ± --- ± --- 1 PLACE ± --- ± --- ANGULAR ± ---°	DIMENSION STYLE MM/IN	SCALE 1:2	DESIGN UNITS METRIC	THIRD ANGLE PROJECTION
	DRAWN BY: MODELL DATE: 2009/02/18 CHECKED BY: RDEROSS DATE: 2009/02/18 APPROVED BY: RDEROSS DATE: 2009/02/18	TITLE SL SERIES RING TYPE CONNECTORS 250-600MCM	MATERIAL NO. SEE TABLE	DOCUMENT NO. SD-19317-001	SHEET NO. 2 OF 4	
	DRAFT WHERE APPLICABLE MUST REMAIN WITHIN DIMENSIONS					
	THIS DRAWING CONTAINS INFORMATION THAT IS PROPRIETARY TO MOLEX INCORPORATED AND SHOULD NOT BE USED WITHOUT WRITTEN PERMISSION					

9 8 7 6 5 4 3 2 1



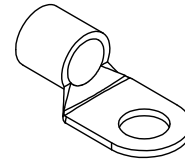
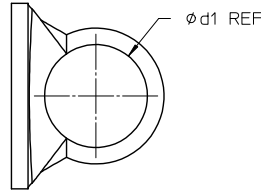
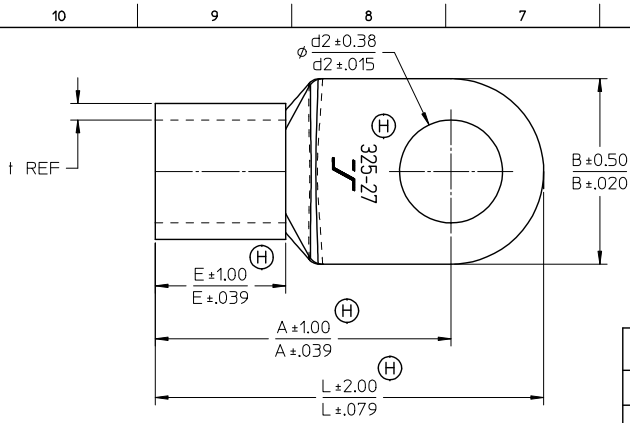
193174027 SHOWN

SEE NOTES ON SHEET 1



MATERIAL NO.	WIRE RANGE		A	B	d1Ø	d2Ø	E	L	mm	
	MCM	mm							t	inch
193173008	350-450	193-242	56.0 2.20	44.0 1.73	24.0 0.94	8.4 0.33	31.5 1.24	72.0 2.83	4.0 0.16	
193173010	350-450	193-242	56.0 2.20	44.0 1.73	24.0 0.94	10.5 0.41	31.5 1.24	72.0 2.83	4.0 0.16	
193173012	350-450	193-242	56.0 2.20	44.0 1.73	24.0 0.94	13.0 0.51	31.5 1.24	72.0 2.83	4.0 0.16	
193173014	350-450	193-242	56.0 2.20	44.0 1.73	24.0 0.94	15.0 0.59	31.5 1.24	72.0 2.83	4.0 0.16	
193173016	350-450	193-242	56.0 2.20	44.0 1.73	24.0 0.94	17.0 0.67	31.5 1.24	72.0 2.83	4.0 0.16	
193173112	350-450	193-242	69.0 2.72	44.0 1.73	24.0 0.94	13.0 0.51	31.5 1.24	91.0 3.58	4.0 0.16	
193173116	350-450	193-242	69.0 2.72	44.0 1.73	24.0 0.94	17.0 0.67	31.5 1.24	91.0 3.58	4.0 0.16	
193173018	350-450	193-242	69.0 2.72	44.0 1.73	24.0 0.94	19.0 0.75	31.5 1.24	91.0 3.58	4.0 0.16	
193173020	350-450	193-242	69.0 2.72	44.0 1.73	24.0 0.94	21.0 0.83	31.5 1.24	91.0 3.58	4.0 0.16	
193173022	350-450	193-242	69.0 2.72	44.0 1.73	24.0 0.94	23.0 0.91	31.5 1.24	91.0 3.58	4.0 0.16	
193173024	350-450	193-242	69.0 2.72	44.0 1.73	24.0 0.94	25.0 0.98	31.5 1.24	91.0 3.58	4.0 0.16	
193173027	350-450	193-242	69.0 2.72	44.0 1.73	24.0 0.94	28.0 1.10	31.5 1.24	91.0 3.58	4.0 0.16	

<b>LOGO &amp; TOL UPDATED</b> EC NO: PG2013-1515 DRAWN BY: CHYK CHKD: APPRE: MACNEIL 2013/04/01 2013/05/14	QUALITY SYMBOLS ▽=0 ▽=0	GENERAL TOLERANCES (UNLESS SPECIFIED) <table border="1"> <tr> <th></th> <th>mm</th> <th>INCH</th> </tr> <tr> <td>4 PLACES</td> <td>± ---</td> <td>± ---</td> </tr> <tr> <td>3 PLACES</td> <td>± ---</td> <td>± ---</td> </tr> <tr> <td>2 PLACES</td> <td>± ---</td> <td>± ---</td> </tr> <tr> <td>1 PLACE</td> <td>± ---</td> <td>± ---</td> </tr> </table>		mm	INCH	4 PLACES	± ---	± ---	3 PLACES	± ---	± ---	2 PLACES	± ---	± ---	1 PLACE	± ---	± ---	DIMENSION STYLE MM/IN	SCALE 1:2	DESIGN UNITS METRIC	THIRD ANGLE PROJECTION
		mm	INCH																		
	4 PLACES	± ---	± ---																		
	3 PLACES	± ---	± ---																		
2 PLACES	± ---	± ---																			
1 PLACE	± ---	± ---																			
		DRAWN BY: MODELL DATE: 2009/02/18	CHECKED BY: RDEROSS DATE: 2009/02/18	TITLE <b>SL SERIES RING TYPE CONNECTORS 250-600MCM</b>																	
		APPROVED BY: RDEROSS DATE: 2009/02/18	MATERIAL NO. SEE TABLE DOCUMENT NO. SD-19317-001			SHEET NO. 3 OF 4															
		DRAFT WHERE APPLICABLE MUST REMAIN WITHIN DIMENSIONS	THIS DRAWING CONTAINS INFORMATION THAT IS PROPRIETARY TO MOLEX INCORPORATED AND SHOULD NOT BE USED WITHOUT WRITTEN PERMISSION																		



193174027 SHOWN

SEE NOTES ON SHEET 1

MATERIAL NO.	WIRE RANGE		A	B	d1Ø	d2Ø	E	L	mm	
	MCM	mm <sup>2</sup>							t	Ⓜ
193174008	500-600	245-325	69.0 2.72	50.5 1.99	28.0 1.10	8.4 0.33	35.5 1.40	88.0 3.46	4.3 0.17	
193174010	500-600	245-325	69.0 2.72	50.5 1.99	28.0 1.10	10.5 0.41	35.5 1.40	88.0 3.46	4.3 0.17	
193174012	500-600	245-325	69.0 2.72	50.5 1.99	28.0 1.10	13.0 0.51	35.5 1.40	88.0 3.46	4.3 0.17	
193174014	500-600	245-325	69.0 2.72	50.5 1.99	28.0 1.10	15.0 0.59	35.5 1.40	88.0 3.46	4.3 0.17	
193174016	500-600	245-325	69.0 2.72	50.5 1.99	28.0 1.10	17.0 0.67	35.5 1.40	88.0 3.46	4.3 0.17	
193174112	500-600	245-325	80.5 3.17	50.5 1.99	28.0 1.10	13.0 0.51	35.5 1.40	105.7 4.16	4.3 0.17	
193174116	500-600	245-325	80.5 3.17	50.5 1.99	28.0 1.10	17.0 0.67	35.5 1.40	105.7 4.16	4.3 0.17	
193174018	500-600	245-325	80.5 3.17	50.5 1.99	28.0 1.10	19.0 0.75	35.5 1.40	105.7 4.16	4.3 0.17	
193174020	500-600	245-325	80.5 3.17	50.5 1.99	28.0 1.10	21.0 0.83	35.5 1.40	105.7 4.16	4.3 0.17	
193174022	500-600	245-325	80.5 3.17	50.5 1.99	28.0 1.10	23.0 0.91	35.5 1.40	105.7 4.16	4.3 0.17	
193174024	500-600	245-325	80.5 3.17	50.5 1.99	28.0 1.10	25.0 0.98	35.5 1.40	105.7 4.16	4.3 0.17	
193174027	500-600	245-325	80.5 3.17	50.5 1.99	28.0 1.10	28.0 1.10	35.5 1.40	105.7 4.16	4.3 0.17	

<b>LOGO &amp; TOL UPDATED</b> EC NO: PG2013-1515 DRAWN BY: RICK CHKD: JACQUEL APPR: JACQUEL 2013/04/01 2013/05/14	QUALITY SYMBOLS ▽=0 ▽=0	GENERAL TOLERANCES (UNLESS SPECIFIED) mm INCH 4 PLACES ± --- ± --- 3 PLACES ± --- ± --- 2 PLACES ± --- ± --- 1 PLACE ± --- ± --- ANGULAR ± ---°	DIMENSION STYLE MM/IN	SCALE 1:2	DESIGN UNITS METRIC	THIRD ANGLE PROJECTION	
	DRAWN BY: MODELL DATE: 2009/02/18	CHECKED BY: RDEROSS DATE: 2009/02/18	APPROVED BY: RDEROSS DATE: 2009/02/18	TITLE SL SERIES RING TYPE CONNECTORS 250-600MCM	MATERIAL NO. SEE TABLE	DOCUMENT NO. SD-19317-001	SHEET NO. 4 OF 4
	DRAFT WHERE APPLICABLE MUST REMAIN WITHIN DIMENSIONS						
	THIS DRAWING CONTAINS INFORMATION THAT IS PROPRIETARY TO MOLEX INCORPORATED AND SHOULD NOT BE USED WITHOUT WRITTEN PERMISSION						