

Excellent Integrated System Limited

Stocking Distributor

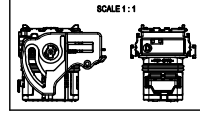
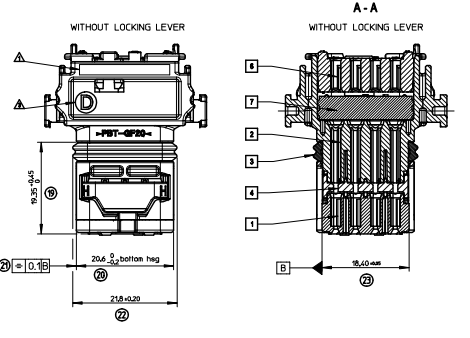
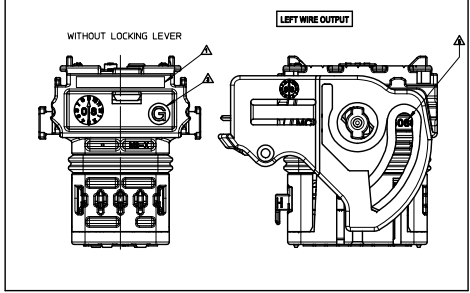
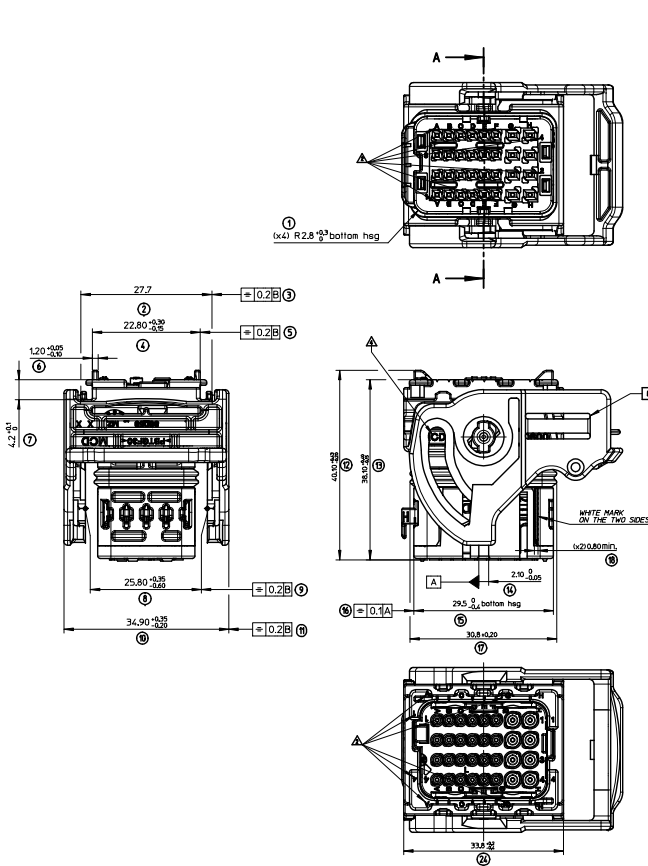
Click to view price, real time Inventory, Delivery & Lifecycle Information:

[Molex Connector Corporation](#)
[0643191219](#)

For any questions, you can email us directly:

sales@integrated-circuit.com

20 19 18 17 16 15 14 13 12 11 10 9 8 7 6 5 4 3 2 1



LEFT WIRE OUTPUT

MATERIAL NUMBER	COLOR
0643191211	BLACK
0643191218	GREY
0643191219	BROWN
0643191216	BLUE

RIGHT WIRE OUTPUT

MATERIAL NUMBER	COLOR
0643193211	BLACK
0643193218	GREY
0643193219	BROWN
0643193216	BLUE

MARKINGS:

- ▲ - Assembled part traceability: Year + Day
- ▲ - Terminal cavities identification
- ▲ - Lever position indicator: 'D' LETTER VISIBLE = "RIGHT WIRE OUTPUT" 'G' LETTER VISIBLE = "LEFT WIRE OUTPUT"
- ▲ - Supplier identification
- ▲ - Material identification

NOTES:

1-FOR ILLUSTRATION PURPOSE THE FEMALE HOUSING SHOWN IS THE RIGHT WIRE OUTPUT VERSION CODING 1

2-APPLICATION SPECIFICATION: AS-64319-002

3-WIRES EXTERNAL DIAMETER USED:
FOR CP0.6 TERMINAL: USE WIRES WITH AN EXTERNAL DIAMETER BETWEEN Ø1.25MM MIN AND Ø1.50MM MAX
FOR CP1.5 TERMINAL: USE WIRES WITH AN EXTERNAL DIAMETER BETWEEN Ø1.40MM MIN AND Ø2.00MM MAX

4-THE CONNECTOR FITS WITH WIRE CAP (32 WAY) MOLEX P/N 0643191201

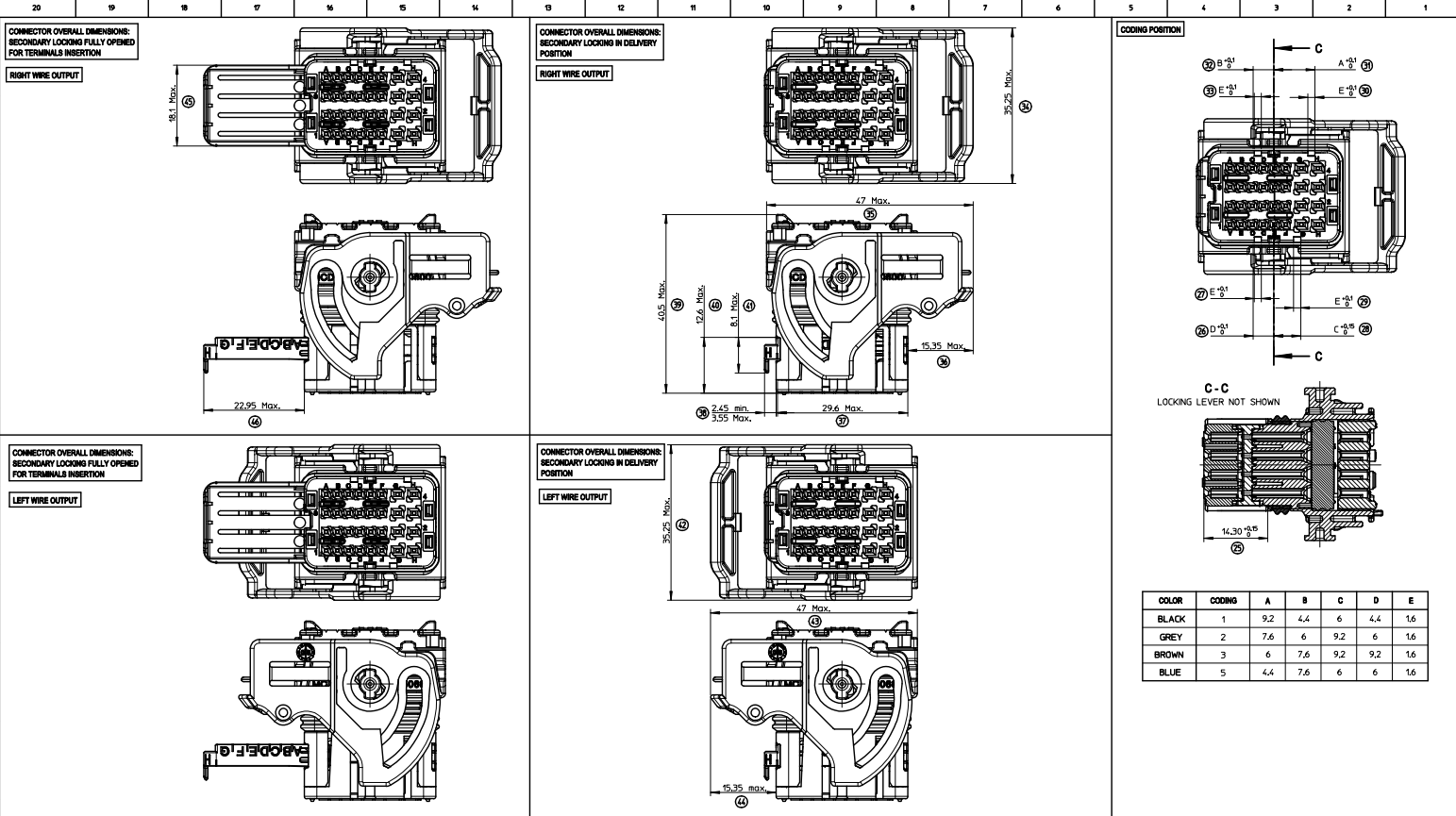
5-BLIND PLUG FOR CP 0.6 AND 1.5 CAVITIES (MOLEX P/N 0643251910 AND 0643251923) MUST BE USED ON THIS PART.

6-DELIVERED PRODUCT WEIGHT: 27.6 g

ITEM	DESCRIPTION	MATERIAL	COLOR
1	MAT SEAL	Silicon	RED
2	BACK GRID 32W	→PBT-GF20←	GREY
3	LOCKING LEVER 32W	→PBT-GF30←	BLACK
4	SECONDARY LOCK	→PBT-GF20←	GREEN
5	PERIPHERAL SEAL 32W	Silicon	BLUE
6	BACK PART	→PBT-GF20←	BLACK
7	FRONT PART	→PBT-GF20←	COLOR LINKED TO RETING

<p>APRIL SPEC. CHANGED 2015/11/30</p> <p>EC NO. 020746-0064</p> <p>DRWNS/PLESSIS 2015/12/01</p> <p>CHKR/BOURBIN 2015/12/01</p> <p>APPROB/BOUCHAN 2015/12/01</p> <p>REV. 1</p>	<p>GENERAL TOLERANCES (UNLESS SPECIFIED)</p> <table border="1"> <thead> <tr> <th></th> <th>mm</th> <th>INCH</th> </tr> </thead> <tbody> <tr> <td>4 PLACES</td> <td>±---</td> <td>±---</td> </tr> <tr> <td>3 PLACES</td> <td>±---</td> <td>±---</td> </tr> <tr> <td>2 PLACES</td> <td>± 0.1</td> <td>±---</td> </tr> <tr> <td>1 PLACE</td> <td>± 0.1</td> <td>±---</td> </tr> <tr> <td>0 PLACE</td> <td>±---</td> <td>±---</td> </tr> </tbody> </table>		mm	INCH	4 PLACES	±---	±---	3 PLACES	±---	±---	2 PLACES	± 0.1	±---	1 PLACE	± 0.1	±---	0 PLACE	±---	±---	<p>DIMENSION STYLE</p> <p>MM ONLY</p> <p>SCALE 2.5:1</p> <p>DESIGN UNITS METRIC</p> <p>FIRST ANGLE PROJECTION</p>	<p>DRAWN BY T. BADAROUX 2007/07/16</p> <p>DATE</p> <p>CHECKED BY P. GRANDCLAUD 2007/07/16</p> <p>DATE</p> <p>APPROVED BY L. BOUCHAN 2007/07/16</p> <p>DATE</p>	<p>TITLE</p> <p>CMC CONNECTOR 32 WAY MAT SEAL VERSION</p>
		mm	INCH																			
	4 PLACES	±---	±---																			
	3 PLACES	±---	±---																			
2 PLACES	± 0.1	±---																				
1 PLACE	± 0.1	±---																				
0 PLACE	±---	±---																				
	<p>ANGULAR ± 2 °</p> <p>DRAFT WHERE APPLICABLE MUST REMAIN WITHIN DIMENSIONS</p>	<p>MATERIAL NO. SEE CHARTS</p> <p>SIZE A1</p>	<p>DOCUMENT NO. SD-64319-001</p>	<p>SHEET NO. 1 OF 2</p>																		
			<p>THIS DRAWING CONTAINS INFORMATION THAT IS PROPRIETARY TO MOLEX INCORPORATED AND SHOULD NOT BE USED WITHOUT WRITTEN PERMISSION</p>																			

19 18 17 16 15 14 13 12 11 10 9 8 7 6 5 4 3 2 1



COLOR	CODING	A	B	C	D	E
BLACK	1	9.2	4.4	6	4.4	1.6
GREY	2	7.6	6	9.2	6	1.6
BROWN	3	6	7.6	9.2	9.2	1.6
BLUE	5	4.4	7.6	6	6	1.6

TERMINALS USED

CAVITY #	PIVOTAL TERMINALS (Section mm2)	PLATING	MOLEX P/N	MIN / MAX WIRE INSULATION DIAMETER (mm)
A1 to F1 A2 to F2 A3 to F3 A4 to F4	CP 0.6 0.35mm ²	Tin plated	0643221019	Ø1.25 min / Ø1.40 Max
		Gold plated	0643221229	
G1 to H4 G1 to H4	CP 0.6 0.75mm ²	Tin plated	0643221029	Ø1.60 min / Ø1.90 Max
		Gold plated	0643221239	
G1 to H4 G1 to H4	CP 15 0.5mm ² to 1mm ²	Tin plated	0643231029	Ø1.40 min / Ø2.15 Max
		Gold plated	0643231319	
G1 to H4 G1 to H4	CP 15 >1mm ² to 2mm ²	Tin plated	0643231039	Ø2.10 min / Ø2.80 Max
		Gold plated	0643231219	

APPL. SPEC. CHANGED EC NO. 0076-0064 DRAWN/PLS/ISS 2015/11/30 CHKD/PGD/RIN 2015/12/01 APPR/CLD/UDN 2015/12/02 REV: 1 REASON:	GENERAL TOLERANCES (UNLESS SPECIFIED) mm INCH 4 PLACES ±--- ±--- 3 PLACES ±--- ±--- 2 PLACES ±0.1 ±--- 1 PLACE ±0.1 ±--- 0 PLACE ±--- ±---		DIMENSION STYLE MM ONLY DRAWN BY DATE T. BADAROUX 2007/07/16 CHECKED BY DATE P. GRANDCLAUD 2007/07/16 APPROVED BY DATE C. BOUCHAN 2007/07/16 MATERIAL NO.	SCALE 2.5:1 DESIGN UNITS METRIC FIRST ANGLE PROJECTION	TITLE CMC CONNECTOR 32 WAY MAT SEAL VERSION
	ANGULAR ± 2 ° DRAFT WHERE APPLICABLE MUST REMAIN WITHIN DIMENSIONS		SEE SHEET 1 DOCUMENT NO. SD-64319-001 SHEET NO. 2 OF 2	THIS DRAWING CONTAINS INFORMATION THAT IS PROPRIETARY TO MOLEX INCORPORATED AND SHOULD NOT BE USED WITHOUT WRITTEN PERMISSION	