

Excellent Integrated System Limited

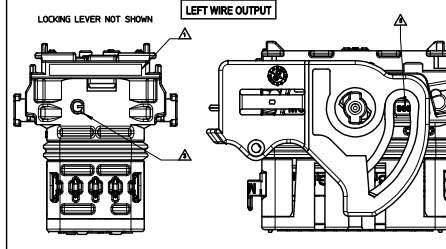
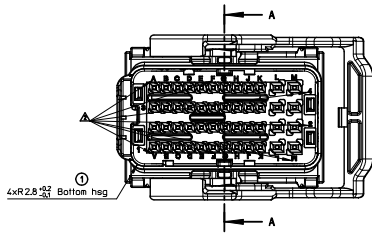
Stocking Distributor

Click to view price, real time Inventory, Delivery & Lifecycle Information:

[Molex Connector Corporation](#)
[0643203318](#)

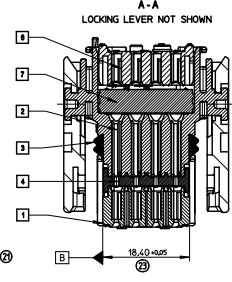
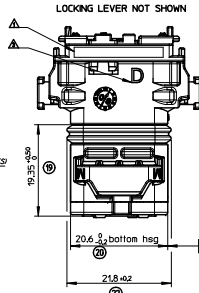
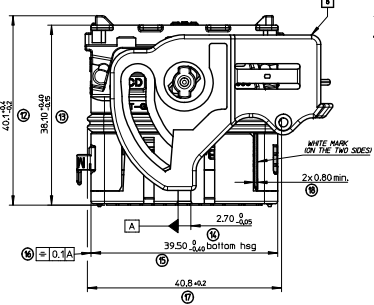
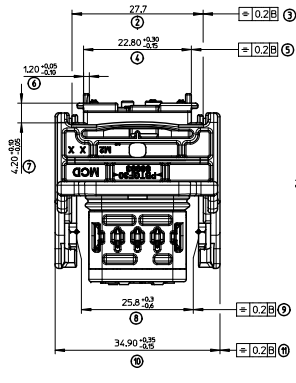
For any questions, you can email us directly:

sales@integrated-circuit.com



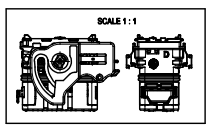
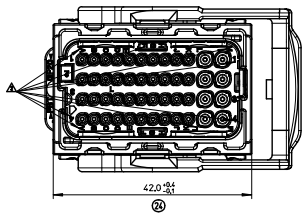
LEFT WIRE OUTPUT

| MATERIAL NUMBER | COLOR |
|-----------------|-------|
| 064320311 | BLACK |
| 064320318 | GREY |
| 064320319 | BROWN |
| 064320315 | GREEN |



RIGHT WIRE OUTPUT

| MATERIAL NUMBER | COLOR |
|-----------------|-------|
| 064320311 | BLACK |
| 064320318 | GREY |
| 064320319 | BROWN |
| 064320315 | GREEN |

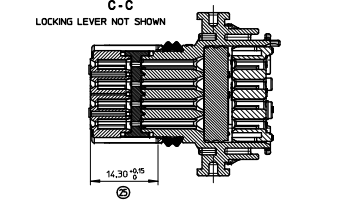
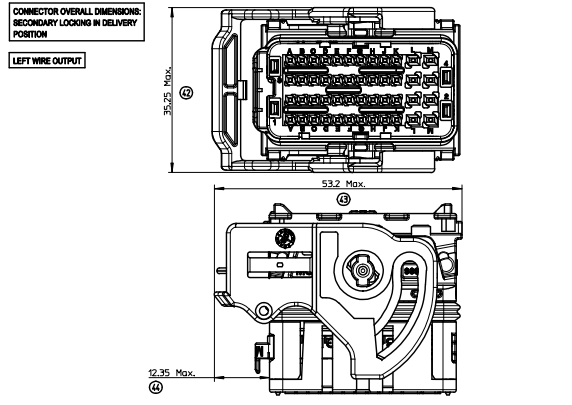
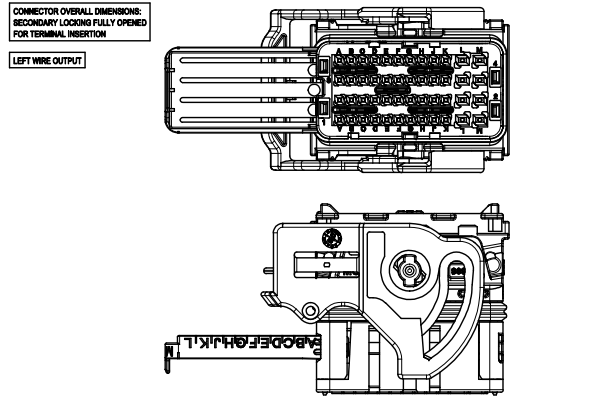
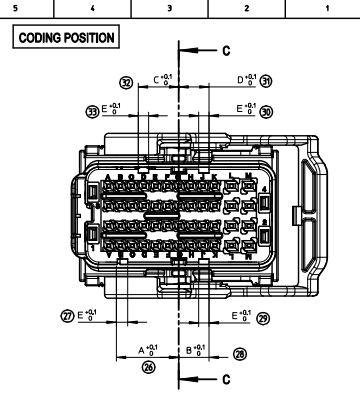
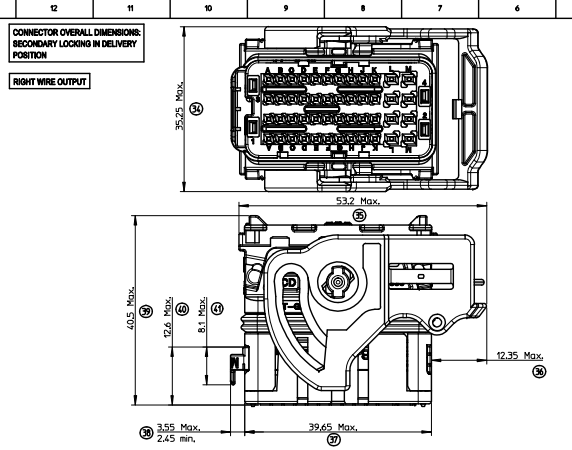
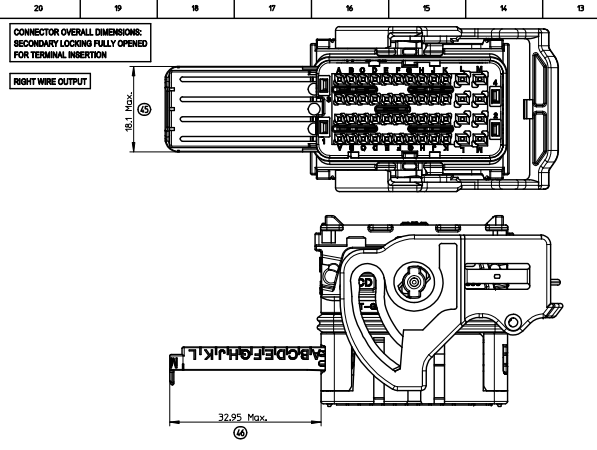


- NOTES:**
- FOR ILLUSTRATION PURPOSE THE FEMALE HOUSING IS THE RIGHT WIRE OUTPUT VERSION CODING 1
 - APPLICATION SPECIFICATION AS-64319-002
 - WIRES EXTERNAL DIAMETER USED:
FOR CP06 TERMINAL USE WIRES WITH AN EXTERNAL DIAMETER BETWEEN #125MM HN AND #150MM MAX
FOR CP15 TERMINAL USE WIRES WITH AN EXTERNAL DIAMETER BETWEEN #100MM HN AND #200MM MAX
 - THE CONNECTOR FITS WITH WIRE CAP 148 WITH MOLEX P/N 064320101
 - BLIND PLUG FOR 06 AND 15 CAVITIES MOLEX P/N 064325100 AND 064325102 MUST BE USED ON THIS PART.
 - DELIVERED PRODUCT WEIGHT: 33.8 g

| REF. | DESCRIPTION | MATERIAL | COLOR |
|------|---------------------|------------|------------------------|
| 17 | MAT SEAL | Silicon | RED |
| 18 | BACK GRD 48W | >PBT-GF20< | GREY |
| 19 | LOCKING LEVER 48W | >PBT-GF30< | BLACK |
| 20 | SECONDARY LOCK | >PBT-GF20< | GREY |
| 21 | PERIPHERAL SEAL 48W | Silicon | RED |
| 22 | BACK PART | >PBT-GF20< | BLACK |
| 23 | FRONT PART | >PBT-GF20< | COLOR LINKED TO KEYING |

- MARKINGS:**
- Assembled part tracability Year + Day
 - Terminal cavities identification
 - Lever position indicator: 'L' LETTER VISIBLE part with 'RIGHT WIRE OUTPUT' 'R' LETTER VISIBLE part with 'LEFT WIRE OUTPUT'
 - Supplier identification
 - Material identification

| APPROVALS | | GENERAL TOLERANCES (UNLESS SPECIFIED) | | DIMENSION STYLE | | SCALE | DESIGN UNITS | FIRST ANGLE PROJECTION | |
|-----------|------------------------------|---------------------------------------|--------|-----------------|--------------------------|-------|--------------|--|--|
| REV | DESCRIPTION | mm | INCH | MM ONLY | DATE | 2.5:1 | METRIC | FIRST ANGLE PROJECTION | |
| APR1 | SPEC CHANGED | 4 PLACES | ± 0.15 | MM ONLY | T. BADAROUX 2007/07/16 | | | CMC CONNECTOR 48 WAY MAT SEAL VERSION | |
| EC | NO. 0016-0064 | 3 PLACES | ± 0.1 | | CHECKED BY DATE | | | molex | |
| DR | DRINKWATERPLESSIS 2015/11/30 | 2 PLACES | ± 0.1 | | P. GRANDCLAUD 2007/07/16 | | | DOCUMENT NO. SD-64320-001 | |
| CH | CHOKROBIN 2015/12/01 | 1 PLACE | ± 0.1 | | APPROVED BY DATE | | | SHEET NO. 1 OF 2 | |
| APPR | BOUCHAN 2015/12/01 | 0 PLACE | ± 0.1 | | L. BOUCHAN 2007/07/16 | | | INCORPORATED AND SHOULD NOT BE USED WITHOUT WRITTEN PERMISSION | |



| COLOR | CODING | A | B | C | D | E |
|-------|--------|------|------|-----|-----|-----|
| BLACK | 1 | 13 | 6.4 | 8.6 | 6.4 | 2.2 |
| GREY | 2 | 10.8 | 8.6 | 13 | 8.6 | 2.2 |
| BROWN | 3 | 8.6 | 10.8 | 13 | 13 | 2.2 |
| GREEN | 4 | 10.8 | 13 | 6.4 | 6.4 | 2.2 |

TERMINALS USED

| Cavity # | FEMALE TERMINALS (Pitch mm) | PLATING | MOLEX P/N | min / MAX WIRE INSULATION DIAMETER (mm) |
|--|-----------------------------|-------------|------------|---|
| A1 to K1 A2 to K2 A3 to K3 A4 to K4 | CP 0.6 0.35mm2 | Tin plated | 0643221019 | Ø1.25 min / Ø1.40 Max |
| | | Gold plated | 0643221229 | |
| L1 to L4 M1 to M4 | CP 0.6 0.5mm2 | Tin plated | 0643221039 | Ø1.40 min / Ø1.70 Max |
| | | Gold plated | 0643221239 | |
| | CP 0.6 0.75mm2 | Tin plated | 0643221029 | Ø1.60 min / Ø1.90 Max |
| | | Gold plated | 0643221219 | |
| | CP 1.5 0.5mm2 to 1mm2 | Tin plated | 0643231029 | Ø1.40 min / Ø2.15 Max |
| | | Gold plated | 0643231319 | |
| | CP 1.5 >1mm2 to 2mm2 | Tin plated | 0643231039 | Ø2.10 min / Ø2.80 Max |
| | | Gold plated | 0643231219 | |

APRIL SPEC CHANGED
EC NO. 06432-0646
DRAWN/PLESSIS 2015/11/30
CHK/POGARDIN 2015/12/01
APPROB/BOUCHAN 2015/12/02
REV 1

| GENERAL TOLERANCES (UNLESS SPECIFIED) | |
|---------------------------------------|------|
| mm | INCH |
| 4 PLACES ±--- | ±--- |
| 3 PLACES ±--- | ±--- |
| 2 PLACES ±0.1 | ±--- |
| 1 PLACE ±0.1 | ±--- |
| 0 PLACE ±--- | ±--- |

ANGULAR ± 2 °
DRAFT WHERE APPLICABLE
MUST REMAIN WITHIN DIMENSIONS

| DIMENSION STYLE | SCALE | DESIGN UNITS | FIRST ANGLE PROJECTION |
|-----------------|-------|--------------|-------------------------------------|
| MM ONLY | 2.5:1 | METRIC | <input checked="" type="checkbox"/> |

DRAWN BY T. BADAROUX 2007/07/16
CHECKED BY P. GRANDCLAUD 2007/07/16
APPROVED BY C. BOUCHAN 2007/07/16

TITLE: CMC CONNECTOR 48 WAY MAT SEAL VERSION

molex

DRAWING NO. SD-64320-001
SHEET NO. 2 OF 2