

Excellent Integrated System Limited

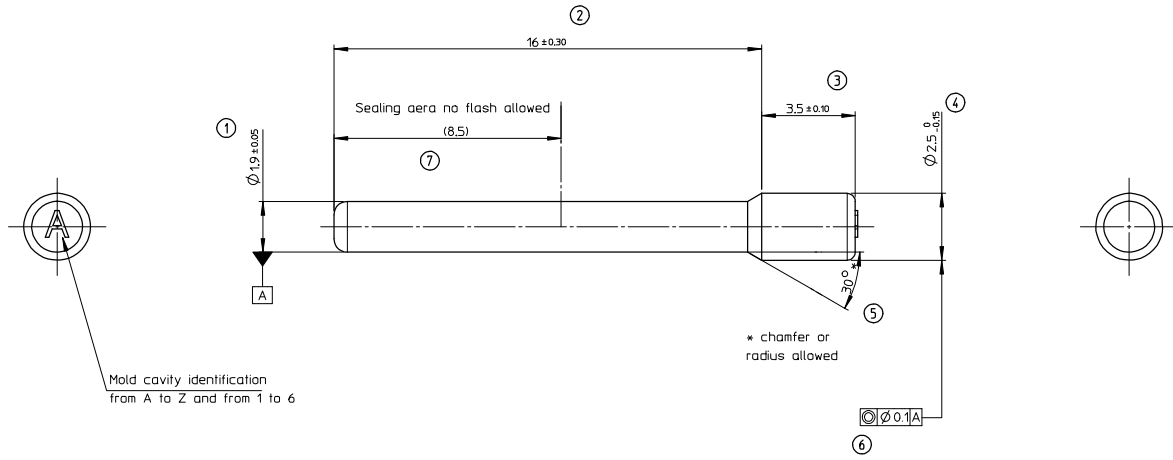
Stocking Distributor

Click to view price, real time Inventory, Delivery & Lifecycle Information:

[Molex Connector Corporation](#)
[0643251010](#)

For any questions, you can email us directly:

sales@integrated-circuit.com



Mold cavity identification
from A to Z and from 1 to 6

NOTES :
-WEIGHT : 0.066g
-MATERIAL : PA 6.6, COLOUR : WHITE

FIRST RELEASE EC NO: GZ008-0463 DRAWN: JULOU CHECKED: BOUCHAN APPROVED: STICGER	2008/05/16 2008/05/16 2008/05/16	QUALITY CONTROL	GENERAL TOLERANCES (UNLESS SPECIFIED)		DIMENSION STYLE MM ONLY		SCALE 10:1	DESIGN UNITS METRIC	FIRST ANGLE PROJECTION		
			4 PLACES	± 0.1	± 0.004	DRAWN BY	DATE	TITLE			
			3 PLACES	± 0.1	± 0.004	JJULOU	2007/07/26	CMC PLUG WAY CP 0.6			
2 PLACES	± 0.2	± 0.008	CHECKED BY	DATE	SALES DRAWING						
1 PLACE	± 0.2	± 0.008	PGRANDCL	2007/07/26							
ANGULAR ± 2°			APPROVED BY	DATE	MOLEX INCORPORATED						
DRAFT WHERE APPLICABLE MUST REMAIN WITHIN DIMENSIONS			CBOUCHAN	2007/07/27	MATERIAL NO.	DOCUMENT NO.	SHEET NO.				
					0643251010	SD-64325-001	1 OF 1				
					THIS DRAWING CONTAINS INFORMATION THAT IS PROPRIETARY TO MOLEX INCORPORATED AND SHOULD NOT BE USED WITHOUT WRITTEN PERMISSION						