

Excellent Integrated System Limited

Stocking Distributor

Click to view price, real time Inventory, Delivery & Lifecycle Information:

[Phoenix Contact](#)
[1740039](#)

For any questions, you can email us directly:

sales@integrated-circuit.com

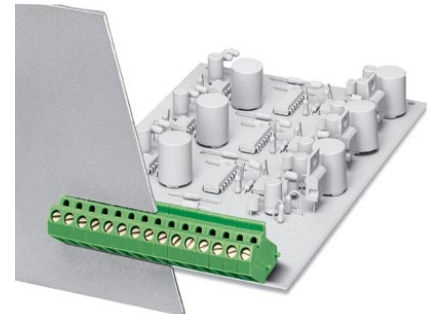


Extract from the online catalog

DMKDS 2,5 BU


Order No.: 1740039

The illustration shows a green version



<http://eshop.phoenixcontact.de/phoenix/treeViewClick.do?UID=1740039>

PC terminal block, Nominal current: 26 A, Nom. voltage: 320 V, Pitch: 5 mm, Number of positions: 1, Type of connection: Screw connection, Mounting: Soldering, Color: blue, The article can be aligned to create different nos. of positions!

Commercial data	
GTIN (EAN)	 4 017918 028190
sales group	E070
Pack	50 pcs.
Customs tariff	85369010

Product notes

WEEE/RoHS-compliant since:
01/01/2003



<http://www.download.phoenixcontact.com>
Please note that the data given here has been taken from the online catalog. For comprehensive information and data, please refer to the user documentation. The General Terms and Conditions of Use apply to Internet downloads.

Certificates / Approvals



Certification

CSA, CUL, UL

DMKDS 2,5 BU Order No.: 1740039

<http://eshop.phoenixcontact.de/phoenix/treeViewClick.do?UID=1740039>

Accessories

Item	Designation	Description
Assembly		
1740042	RZ 2,5-DMKDS	Pitch spacer, increases the pitch by 2.5 mm or 2.54 mm, interlocks with terminal block of the same shape

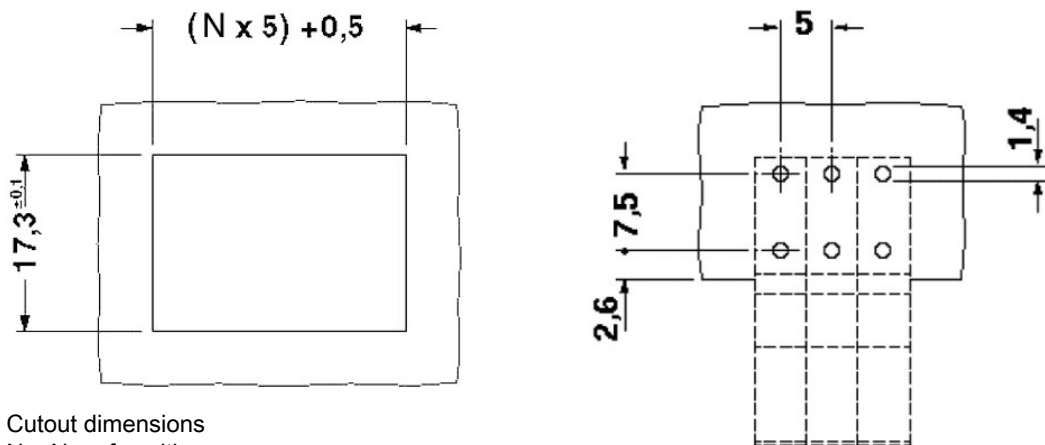
Marking		
0804183	SK 5/3,8:FORTL.ZAHLEN	Marker card, printed horizontally, self-adhesive, 12 identical decades marked 1-10, 11-20 etc. up to 91-(99)100, sufficient for 120 terminal blocks

Plug/Adapter		
0201744	MPS-MT	Test plugs
0201647	RPS	Reducing plug, Color: gray

Tools		
1205053	SZS 0,6X3,5	Actuation tool, for ST terminal blocks, insulated, also suitable for use as a bladed screwdriver, size: 0.6 x 3.5 x 100 mm, 2-component grip, with non-slip grip

Diagrams/Drawings

Drilling plan/solder pad geometry

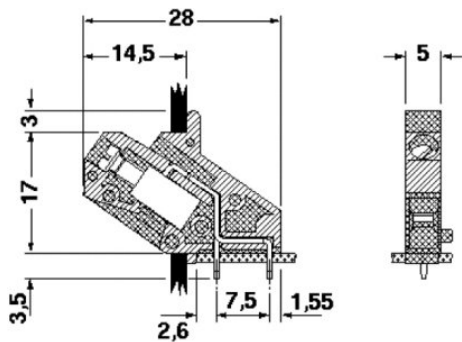


Cutout dimensions
N = No. of positions

DMKDS 2,5 BU Order No.: 1740039

<http://eshop.phoenixcontact.de/phoenix/treeViewClick.do?UID=1740039>

Dimensioned drawing



DMKDS 2,5 BU Order No.: 1740039

<http://eshop.phoenixcontact.de/phoenix/treeViewClick.do?UID=1740039>

Address

PHOENIX CONTACT Deutschland GmbH
Flachmarktstr. 8
32825 Blomberg, Germany
Phone +49 5235 3 12000
Fax +49 5235 3 41200
<http://www.phoenixcontact.de>



© 2010 Phoenix Contact
Technical modifications reserved;