

## Excellent Integrated System Limited

Stocking Distributor

Click to view price, real time Inventory, Delivery & Lifecycle Information:

[Phoenix Contact](#)  
[2764865](#)

For any questions, you can email us directly:  
[sales@integrated-circuit.com](mailto:sales@integrated-circuit.com)



Extract from the online catalog

## EG 45-AE/PC GN

Order No.: 2764865


Illustration shows a fully mounted version of the electronic housing



<http://eshop.phoenixcontact.de/phoenix/treeViewClick.do?UID=2764865>

Housing cover, for connection on one side

### Commercial data

|                          |  |
|--------------------------|--|
| GTIN (EAN)               | <br>4 017918 131920 |
| Note                     | Made-to-order  |
| sales group              | F020   |
| Pack                     | 10 pcs.  |
| Customs tariff           | 85369010   |
| Catalog page information | Page 571 (CC-2009)   |

### Product notes

WEEE/RoHS-compliant since:  
01/01/2003



<http://www.download.phoenixcontact.com>  
Please note that the data given here has been taken from the online catalog. For comprehensive information and data, please refer to the user documentation. The General Terms and Conditions of Use apply to Internet downloads.

### Technical data

#### General

|              |            |
|--------------|------------|
| Housing type | Upper part |
| Color        | green      |

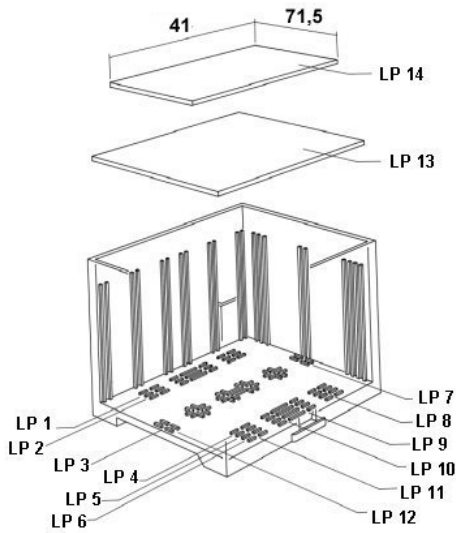
#### Dimensions / positions

|                     |       |
|---------------------|-------|
| Width               | 45 mm |
| Number of positions | 16    |

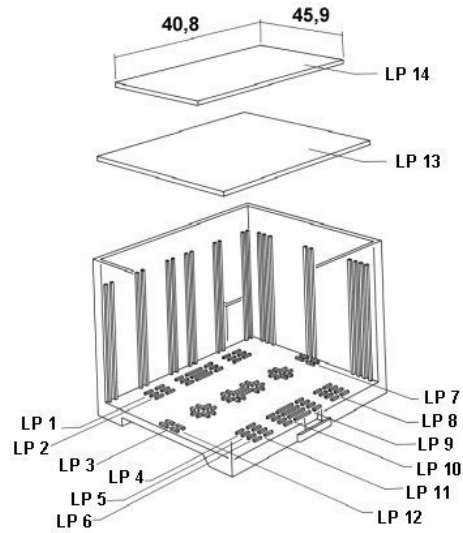
EG 45-AE/PC GN Order No.: 2764865  
<http://eshop.phoenixcontact.de/phoenix/treeViewClick.do?UID=2764865>

**Diagrams/Drawings**

Explosion drawing

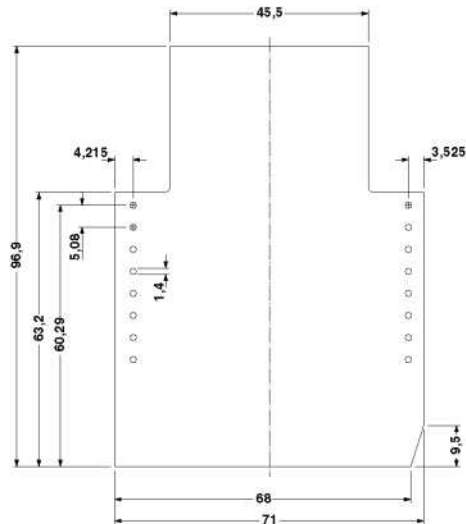
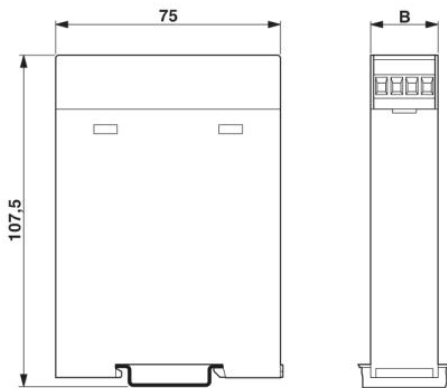


valid for PCB 13



valid for PCB 14

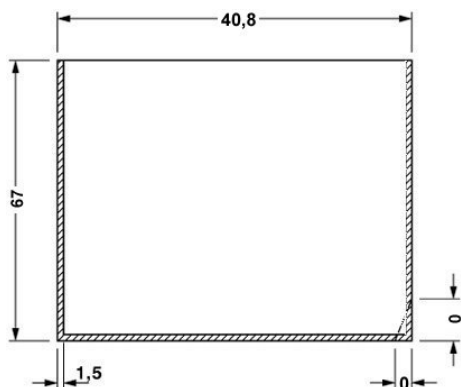
Dimensioned drawing



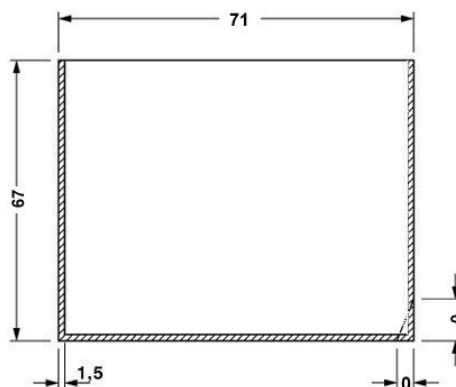
Component mounting side, if the double-level upper part is used

EG 45-AE/PC GN Order No.: 2764865

<http://eshop.phoenixcontact.de/phoenix/treeViewClick.do?UID=2764865>

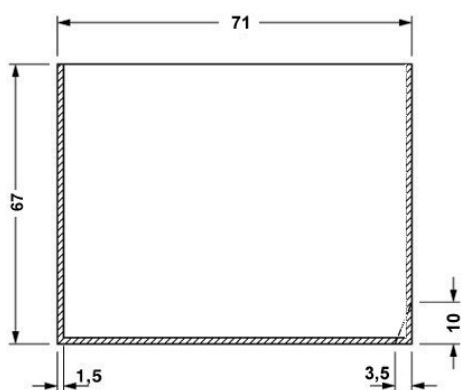


valid for PCB 1; 3; 5 and 6, see explosion drawing



valid for PCB 7 and 12, see explosion drawing

valid for PCB 10, see explosion drawing



EG 45-AE/PC GN Order No.: 2764865

<http://eshop.phoenixcontact.de/phoenix/treeViewClick.do?UID=2764865>

---

**Address**

PHOENIX CONTACT Deutschland GmbH  
Flachsmarktstr. 8  
32825 Blomberg, Germany  
Phone +49 5235 3 12000  
Fax +49 5235 3 41200  
<http://www.phoenixcontact.de>



© 2010 Phoenix Contact  
Technical modifications reserved;