

## Excellent Integrated System Limited

Stocking Distributor

Click to view price, real time Inventory, Delivery & Lifecycle Information:

[Phoenix Contact](#)  
[2917531](#)

For any questions, you can email us directly:  
[sales@integrated-circuit.com](mailto:sales@integrated-circuit.com)

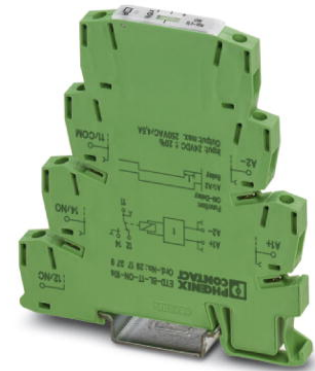


Extract from the online catalog

## ETD-BL-1T-ON- 10S-SP

Order No.: 2917531

The figure shows the ETD-BL-1T-ON- 10S 2917379 version



<http://eshop.phoenixcontact.de/phoenix/treeViewClick.do?UID=2917531>

Timer relay with switch-on delay (voltage-controlled) and an adjustable time range (0.1 s - 10 s), with spring-cage connection



Commercial data	
GTIN (EAN)	4 046356 367486
sales group	H310
Pack	1 pcs.
Customs tariff	85364190
Catalog page information	Page 660 (IF-2009)

**Product notes**

WEEE/RoHS-compliant since:  
11/13/2008

<http://www.download.phoenixcontact.com>  
 Please note that the data given here has been taken from the online catalog. For comprehensive information and data, please refer to the user documentation. The General Terms and Conditions of Use apply to Internet downloads.

### Product description

Compact time relay in the 6.2 mm housing in order to control time sequences.

The time is set on the front side using a labeled knurled wheel which is sunk in order to prevent unintentional adjustment. The time can be set using a screwdriver (blade width 2.5 mm).

The compact time relays are available with varied time ranges as well as with screw and spring-cage connections.

ETD-BL-1T-ON- 10S-SP Order No.: 2917531

<http://eshop.phoenixcontact.de/phoenix/treeViewClick.do?UID=2917531>

Technical data	
<b>Coil side</b>	
Input voltage range	24 V DC (19,2 V DC ...30 V DC)
Function	ON: With switch-on delay
Time setting range	0.1 s ... 10 s
<b>Contact side</b>	
Contact type	1 floating PDT
Output fuse	6.3 A (fast-blow)
<b>General data</b>	
Width	6.2 mm
Height	80 mm
Depth	86 mm
Status display	Green LED (POWER) Yellow LED (relay active)
Mechanical service life	Approx. $2 \times 10^7$ cycles
Ambient temperature (operation)	-20 °C ... 65 °C
Ambient temperature (storage/transport)	-25 °C ... 80 °C
Mounting position	Any
Assembly instructions	on TS 35 profile rail acc. to EN 60715
Color	green
Housing insulation material	Polyamide PA, self-extinguishing
Permissible humidity (operation)	15 % ... 85 %
Rated insulation voltage	300 V AC (According to EN 50178)
Conformance	CE-compliant
ATEX	Ex II 3 G Ex nAC II T4 X
UL, USA / Canada	UL/C-UL listed UL 508
GL	GL EMC 1 C
<b>Connection data</b>	
Conductor cross section stranded min.	0.14 mm <sup>2</sup>
Conductor cross section stranded max.	2.5 mm <sup>2</sup>
Conductor cross section solid min.	0.14 mm <sup>2</sup>
Conductor cross section solid max.	2.5 mm <sup>2</sup>
Conductor cross section AWG/kcmil min.	26

ETD-BL-1T-ON- 10S-SP Order No.: 2917531

<http://eshop.phoenixcontact.de/phoenix/treeViewClick.do?UID=2917531>

Conductor cross section AWG/kcmil max	14
Stripping length	8 mm
Type of connection	Spring-cage connection

**Control contact**

Control pulse length	min. 50 ms
----------------------	------------

**Certificates / Approvals**

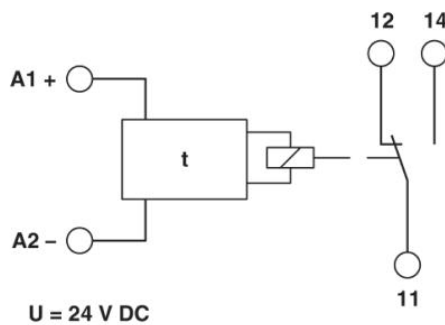


Certification

CUL Listed, GL, UL Listed

**Diagrams/Drawings**

Block diagram



ETD-BL-1T-ON- 10S-SP Order No.: 2917531

<http://eshop.phoenixcontact.de/phoenix/treeViewClick.do?UID=2917531>

---

**Address**

PHOENIX CONTACT Inc., USA  
586 Fulling Mill Road  
Middletown, PA 17057, USA  
Phone (800) 888-7388  
Fax (717) 944-1625  
<http://www.phoenixcon.com>



© 2011 Phoenix Contact  
Technical modifications reserved;