

Excellent Integrated System Limited

Stocking Distributor

Click to view price, real time Inventory, Delivery & Lifecycle Information:

[Phoenix Contact](#)
[2861878](#)

For any questions, you can email us directly:
sales@integrated-circuit.com



Extract from the online catalog

IB IL 24/230 DOR4/W-PAC

Order No.: 2861878




<http://eshop.phoenixcontact.de/phoenix/treeViewClick.do?UID=2861878>

Inline digital output terminal, complete with accessories (connector and labeling field), 4 relay PDT gold contacts, 5 - 253 V AC, 3 A



Commercial data

GTIN (EAN)	 4 017918 894573
sales group	K411
Pack	1 pcs.
Customs tariff	85389091
Catalog page information	Page 279 (AX-2009)

Product notes

WEEE/RoHS-compliant since:
03/26/2008



<http://www.download.phoenixcontact.com>
 Please note that the data given here has been taken from the online catalog. For comprehensive information and data, please refer to the user documentation. The General Terms and Conditions of Use apply to Internet downloads.

Product description

The terminal is designed for use within an Inline station. It has four relay PDT contacts led out floating. The terminal can be used in the field of low voltage and AC. When using the terminal in AC applications, observe the applicable regulations and safety instructions!

Features

- Safe isolation in acc. with EN 50178
- Floating connection for four actuators

IB IL 24/230 DOR4/W-PAC Order No.: 2861878
<http://eshop.phoenixcontact.de/phoenix/treeViewClick.do?UID=2861878>

- Nominal current at output: 3 A
- Total current of terminal: 4x 3 A = 12 A
- Diagnostics and status display

Technical data

General data

Width	48.8 mm
Height	119.8 mm
Depth	71.5 mm
Note on dimensions	Housing dimensions
Weight	138 g
Note on weight specifications	Without plug
Mounting type	DIN rail
Ambient temperature (operation)	-25 °C ... 55 °C
Ambient temperature (storage/transport)	-25 °C ... 85 °C
Permissible humidity (operation)	0 % ... 85 % (in the range of -25°C ... +55°C, appropriate measures against increased humidity (> 85%) must be taken.)
Permissible humidity (storage/transport)	0 % ... 85 % (slight temporary condensation may sometimes appear on the housing)
Air pressure (operation)	70 kPa ... 106 kPa (up to 3000 m above sea level)
Air pressure (storage/transport)	70 kPa ... 106 kPa (up to 3000 m above sea level)
Degree of protection	IP20
Protection class	I, IEC 61140, EN 61140, VDE 0140-1
Test section	Relay contact / Bus logics 4 kV 50 Hz 1 min
	Contact to contact 1 kV 50 Hz 1 min
	Contact / PE 1 kV 50 Hz 1 min

Interface

Name	Local bus
Type of connection	Inline data jumper
Transmission speed	500 kBaud

Power supply for module electronics

Supply voltage	24 V DC (nominal value)
Supply voltage range	19.2 V DC ... 30 V DC (including all tolerances, including ripple)
Communications power U_L	7.5 V (via voltage jumper)
Current consumption	max. 187 mA (from the local bus)

IB IL 24/230 DOR4/W-PAC Order No.: 2861878
<http://eshop.phoenixcontact.de/phoenix/treeViewClick.do?UID=2861878>

Power consumption	max. 0.17 W (from the local bus OFF)
Inline potential routing	
Communications power U_L	7.5 V
Current consumption from U_L	max. 187 mA
Digital outputs	
Output name	Relay output
Type of connection	Spring-cage connection
Connection method	Floating SPDT relay contact
Number of outputs	4
Maximum output current per channel	3 A
Maximum output current per module	12 A

Certificates / Approvals



Certification ABS, BV, CUL, DNV, GL, GOST, LR, UL

Accessories

Item	Designation	Description
General		
2742641	IB IL DOR LV-SET	Inline distance terminal, without accessories
2742641	IB IL DOR LV-SET	Inline distance terminal, without accessories
2861645	IB IL DOR LV-SET-PAC	Inline distance terminal, complete with accessories
Marking		
0809492	ESL 62X10	Insert strip for laser printer, lettering field: 62 x 10 mm
0809502	ESL 62X46	Insert strip for laser printer, lettering field: 62 x 46 mm
2727501	IB IL FIELD 2	Labeling field, width: 12.2 mm
2727515	IB IL FIELD 8	Labeling field, width: 48.8 mm
Plug/Adapter		
2742667	IB IL DOR LV-PLSET	Connector set for distance terminal

IB IL 24/230 DOR4/W-PAC Order No.: 2861878

<http://eshop.phoenixcontact.de/phoenix/treeViewClick.do?UID=2861878>

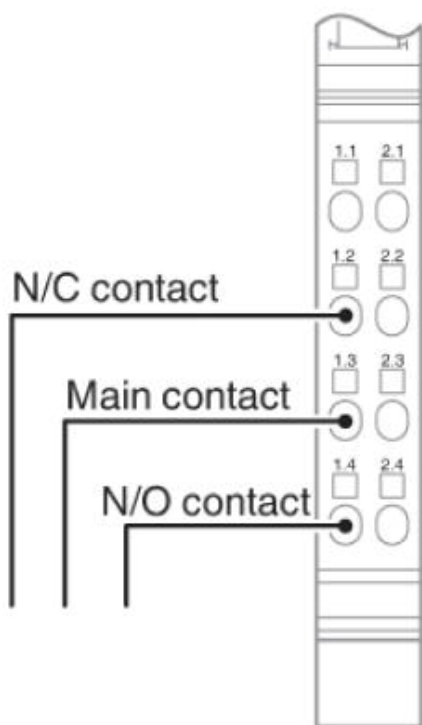
2740290

IB IL SCN-8-AC-REL

Plug, for digital 1, 2 or 8-channel Inline terminals with AC voltage

Diagrams/Drawings

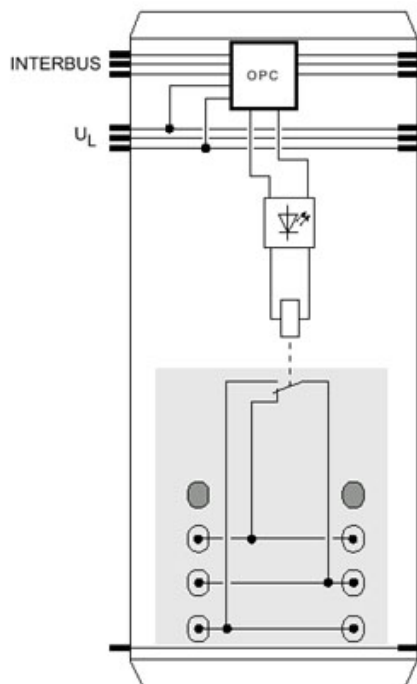
Connection diagram



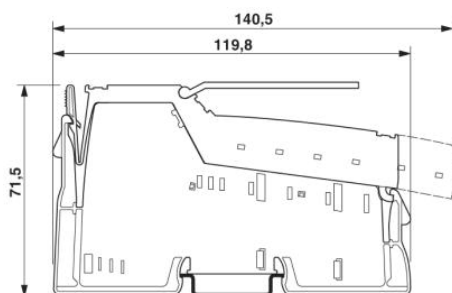
IB IL 24/230 DOR4/W-PAC Order No.: 2861878

<http://eshop.phoenixcontact.de/phoenix/treeViewClick.do?UID=2861878>

Block diagram



Dimensioned drawing



IB IL 24/230 DOR4/W-PAC Order No.: 2861878

<http://eshop.phoenixcontact.de/phoenix/treeViewClick.do?UID=2861878>

Address

PHOENIX CONTACT Deutschland GmbH
Flachsmarktstr. 8
32825 Blomberg, Germany
Phone +49 5235 3 12000
Fax +49 5235 3 41200
<http://www.phoenixcontact.de>



© 2011 Phoenix Contact
Technical modifications reserved;