

Excellent Integrated System Limited

Stocking Distributor

Click to view price, real time Inventory, Delivery & Lifecycle Information:

[Phoenix Contact](#)
[1875496](#)

For any questions, you can email us directly:

sales@integrated-circuit.com

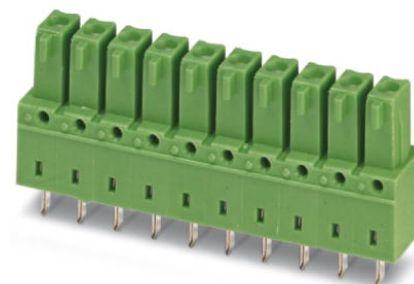


Extract from the online catalog

IMCV 1,5/ 9-G-3,81


Order No.: 1875496

The figure shows a 16-pos. version of the product



<http://eshop.phoenixcontact.de/phoenix/treeViewClick.do?UID=1875496>

Header, Nominal current: 8 A, Rated voltage (III/2): 160 V, Number of positions: 9, Pitch: 3.81 mm, Color: green, Metal surface: Sn, Assembly: Soldering

Commercial data	
GTIN (EAN)	 4 017918 133993
sales group	E135
Pack	50 pcs.
Customs tariff	85366990
Catalog page information	Page 187 (CC-2009)

Product notes

WEEE/RoHS-compliant since:
01/01/2003



<http://www.download.phoenixcontact.com>
Please note that the data given here has been taken from the online catalog. For comprehensive information and data, please refer to the user documentation. The General Terms and Conditions of Use apply to Internet downloads.

Technical data

Dimensions / positions

Length	6.85 mm
Pitch	3.81 mm
Dimension a	30.48 mm
Number of positions	9

IMCV 1,5/ 9-G-3,81 Order No.: 1875496

<http://eshop.phoenixcontact.de/phoenix/treeViewClick.do?UID=1875496>

Pin dimensions	0,8 x 0,8 mm
Hole diameter	1.2 mm

Technical data

Range of articles	IMCV 1,5/...-G
Insulating material group	I
Rated surge voltage (III/3)	2.5 kV
Rated surge voltage (III/2)	2.5 kV
Rated surge voltage (II/2)	2.5 kV
Rated voltage (III/2)	160 V
Rated voltage (II/2)	320 V
Connection in acc. with standard	EN-VDE
Nominal current I _N	8 A
Nominal voltage U _N	160 V
Maximum load current	8 A
Insulating material	PA
Inflammability class acc. to UL 94	V0
Nominal voltage, UL/CUL Use Group B	300 V
Nominal current, UL/CUL Use Group B	8 A
Nominal voltage, UL/CUL Use Group D	300 V
Nominal current, UL/CUL Use Group D	8 A

Certificates / Approvals



Certification

CB, CUL, GOST, UL, VDE-PZI

Accessories

Item	Designation	Description
0804109	SK 3,81/2,8:FORTL.ZAHLEN	Marker card, printed horizontally, self-adhesive, 10-section marker strip, 14 identical decades marked 1-10, 11-20 etc. up to 91-(99)100, sufficient for 140 terminal blocks

Marking

IMCV 1,5/ 9-G-3,81 Order No.: 1875496

<http://eshop.phoenixcontact.de/phoenix/treeViewClick.do?UID=1875496>
Additional products

Item	Designation	Description
General		
1897872	EMC 1,5/ 9-G-3,81	Header, Nominal current: 8 A, Rated voltage (III/2): 160 V, Number of positions: 9, Pitch: 3.81 mm, Color: green, Metal surface: Sn, Assembly: Press-in
1860715	EMCV 1,5/ 9-G-3,81	Header, Nominal current: 8 A, Rated voltage (III/2): 160 V, Number of positions: 9, Pitch: 3.81 mm, Color: green, Metal surface: Sn, Assembly: Press-in
1857951	IMC 1,5/ 9-ST-3,81	Plug component, Nominal current: 8 A, Rated voltage (III/2): 160 V, Number of positions: 9, Pitch: 3.81 mm, Color: green, Metal surface: Sn
1803345	MC 1,5/ 9-G-3,81	Header, Nominal current: 8 A, Rated voltage (III/2): 160 V, Number of positions: 9, Pitch: 3.81 mm, Color: green, Metal surface: Sn, Assembly: Soldering
1908839	MC 1,5/ 9-G-3,81 THT	Header, Nominal current: 8 A, Rated voltage (III/2): 160 V, Number of positions: 9, Pitch: 3.81 mm, Color: black, Metal surface: Sn, Assembly: SMD/THT/THR, User information and design recommendations on through hole reflow technology can be found at: http://www.combicon.com
1830020	MCD 1,5/ 9-G-3,81	Header, Nominal current: 8 A, Rated voltage (III/2): 160 V, Number of positions: 9, Pitch: 3.81 mm, Color: green, Metal surface: Sn, Assembly: Soldering, In combination with MCV plug components, both an MCVW and an MCVR plug must be used.
1843143	MCD 1,5/ 9-G1-3,81	Header, Nominal current: 8 A, Rated voltage (III/2): 160 V, Number of positions: 9, Pitch: 3.81 mm, Color: green, Metal surface: Sn, Assembly: Soldering, In combination with MCV plug components, both an MCVW and an MCVR plug must be used.
1830473	MCDV 1,5/ 9-G-3,81	Header, Nominal current: 8 A, Rated voltage (III/2): 160 V, Number of positions: 9, Pitch: 3.81 mm, Color: green, Metal surface: Sn, Assembly: Soldering, In combination with MCV plug components, both an MCVW and an MCVR plug must be used.
1847806	MCDV 1,5/ 9-G1-3,81	Header, Nominal current: 8 A, Rated voltage (III/2): 160 V, Number of positions: 9, Pitch: 3.81 mm, Color: green, Metal surface: Sn, Assembly: Soldering, In combination with MCV plug components, both an MCVW and an MCVR plug must be used.
1861798	MCO 1,5/ 9-GL-3,81	Header, Nominal current: 8 A, Rated voltage (III/2): 160 V, Number of positions: 9, Pitch: 3.81 mm, Color: green, Metal surface: Sn, Assembly: Soldering
1861714	MCO 1,5/ 9-GR-3,81	Header, Nominal current: 8 A, Rated voltage (III/2): 160 V, Number of positions: 9, Pitch: 3.81 mm, Color: green, Metal surface: Sn, Assembly: Soldering
1803497	MCV 1,5/ 9-G-3,81	Header, Nominal current: 8 A, Rated voltage (III/2): 160 V, Number of positions: 9, Pitch: 3.81 mm, Color: green, Metal surface: Sn, Assembly: Soldering

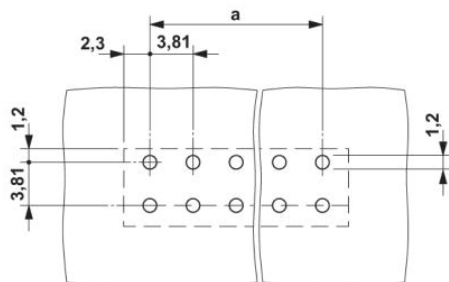
IMCV 1,5/ 9-G-3,81 Order No.: 1875496

<http://eshop.phoenixcontact.de/phoenix/treeViewClick.do?UID=1875496>

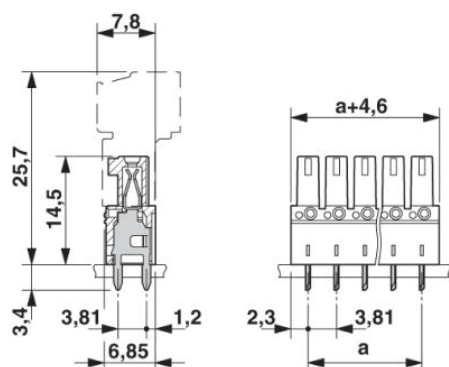
1837502	MCVDU 1,5/ 9-G-3,81	Header, Nominal current: 8 A, Rated voltage (III/2): 160 V, Number of positions: 9, Pitch: 3.81 mm, Color: green, Metal surface: Sn, Assembly: Soldering
1832808	MCVK 1,5/ 9-G-3,81	Plug component, Nominal current: 8 A, Rated voltage (III/2): 160 V, Number of positions: 9, Pitch: 3.81 mm, Color: green, Metal surface: Sn, Assembly: DIN rail
1827347	SMC 1,5/ 9-G-3,81	Header, Nominal current: 8 A, Rated voltage (III/2): 160 V, Number of positions: 9, Pitch: 3.81 mm, Color: green, Metal surface: Sn, Assembly: Soldering

Diagrams/Drawings

Drilling plan/solder pad geometry



Dimensioned drawing



IMCV 1,5/ 9-G-3,81 Order No.: 1875496

<http://eshop.phoenixcontact.de/phoenix/treeViewClick.do?UID=1875496>

Address

PHOENIX CONTACT Inc., USA
586 Fulling Mill Road
Middletown, PA 17057, USA
Phone (800) 888-7388
Fax (717) 944-1625
<http://www.phoenixcon.com>



© 2011 Phoenix Contact
Technical modifications reserved;