

## Excellent Integrated System Limited

Stocking Distributor

Click to view price, real time Inventory, Delivery & Lifecycle Information:

[Phoenix Contact](#)  
[2834274](#)

For any questions, you can email us directly:  
[sales@integrated-circuit.com](mailto:sales@integrated-circuit.com)



Extract from the online catalog

## REL-OR- 24DC/3X21


Order No.: 2834274



<http://eshop.phoenixcontact.de/phoenix/treeViewClick.do?UID=2834274>

Pluggable octal relay with power contacts, 3 PDT, test button, mechanical switching position indication, coil voltage 24 V DC

### Commercial data

GTIN (EAN)	 4 017918 941772
sales group	G082
Pack	10 pcs.
Customs tariff	85364190
Catalog page information	Page 64 (IF-2009)

### Product notes

WEEE/RoHS-compliant since:  
06/01/2007



<http://www.download.phoenixcontact.com>  
 Please note that the data given here has been taken from the online catalog. For comprehensive information and data, please refer to the user documentation. The General Terms and Conditions of Use apply to Internet downloads.

### Technical data

#### Coil side

Nominal input voltage $U_N$	24 V DC
Nominal input current at $U_{IN}$	56 mA
Typical response time	12 ms
Typical release time	6 ms
Coil resistance	430 $\Omega$ +/-15% (at 20°C)

REL-OR- 24DC/3X21 Order No.: 2834274

<http://eshop.phoenixcontact.de/phoenix/treeViewClick.do?UID=2834274>
**Contact side**

Contact type	Single contact, three PDTs
Contact material	Ag
Maximum switching voltage	250 V AC/DC
Minimum switching voltage	1 V
Maximum inrush current	(on request)
Min. switching current	10 mA
Limiting continuous current	10 A
Interrupting rating (ohmic load) max.	2500 VA (for 250 V AC)

**General data**

Width	34.5 mm
Height	34.5 mm
Depth	52.5 mm
Test voltage relay winding/relay contact	2.5 kV AC (50 Hz, 1 min.)
Test voltage relay contact/relay contact	2.5 kV AC (50 Hz, 1 min.)
Ambient temperature (operation)	-10 °C ... 40 °C
Ambient temperature (storage/transport)	-10 °C ... 70 °C
Operating mode	100% operating factor
Mechanical service life	10 x 10 <sup>6</sup> cycles
Standards/regulations	IEC 60664
Pollution degree	3
Surge voltage category	II
Mounting position	Any
Assembly instructions	On relay base PR3

**Connection data**

Type of connection	Plug connection
--------------------	-----------------

**Certificates / Approvals**


Certification

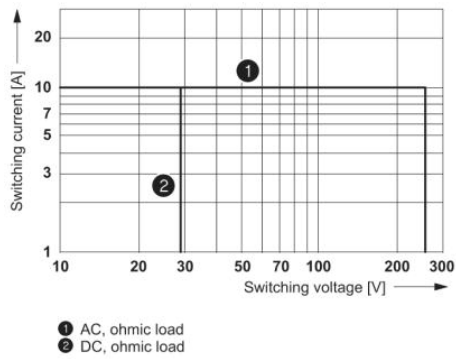
CUL, TUEV-RH, UL

REL-OR- 24DC/3X21 Order No.: 2834274

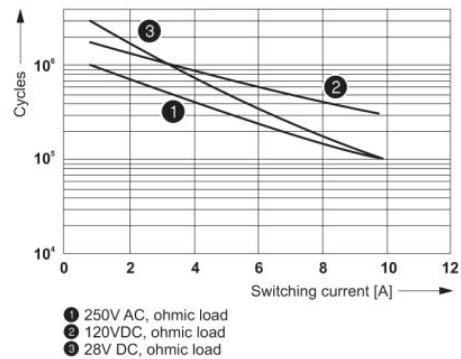
<http://eshop.phoenixcontact.de/phoenix/treeViewClick.do?UID=2834274>

**Diagrams/Drawings**

Diagram

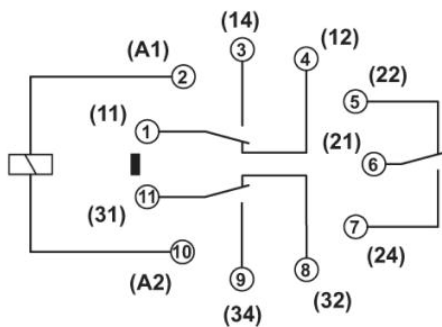


Interrupting rating



Electrical service life

Circuit diagram



REL-OR- 24DC/3X21 Order No.: 2834274

<http://eshop.phoenixcontact.de/phoenix/treeViewClick.do?UID=2834274>

---

**Address**

PHOENIX CONTACT Deutschland GmbH  
Flachsmarktstr. 8  
32825 Blomberg, Germany  
Phone +49 5235 3 12000  
Fax +49 5235 3 41200  
<http://www.phoenixcontact.de>



© 2011 Phoenix Contact  
Technical modifications reserved;