

Excellent Integrated System Limited

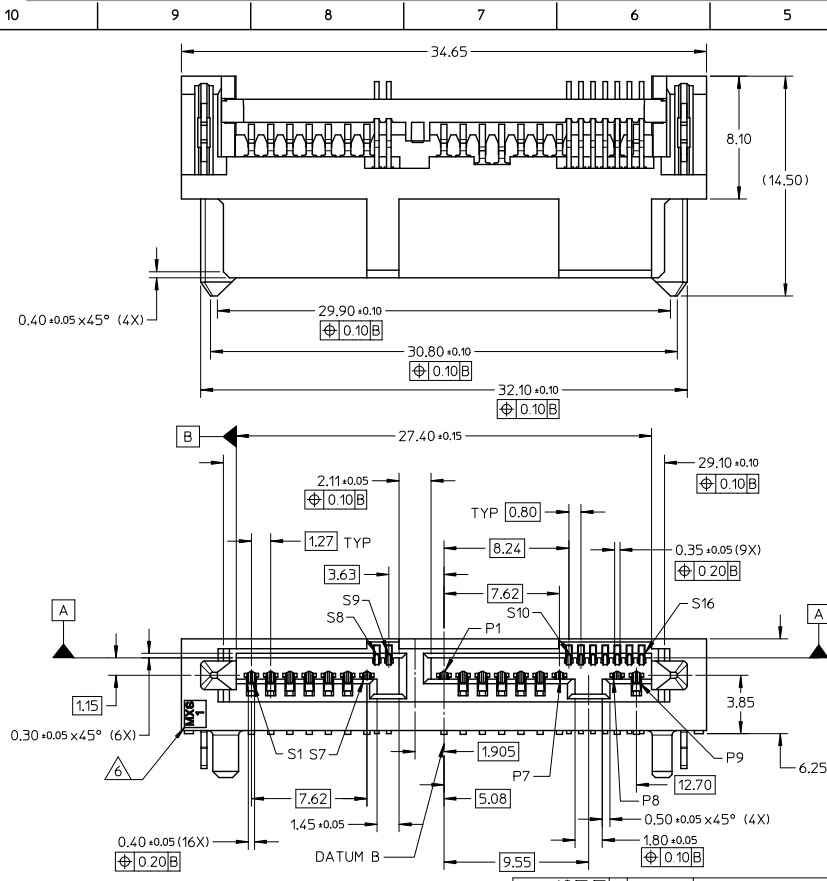
Stocking Distributor

Click to view price, real time Inventory, Delivery & Lifecycle Information:

[Molex Connector Corporation](#)
[0783950001](#)

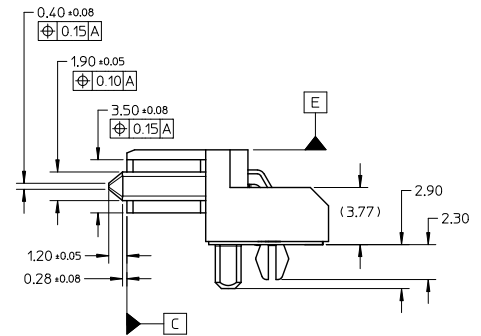
For any questions, you can email us directly:

sales@integrated-circuit.com

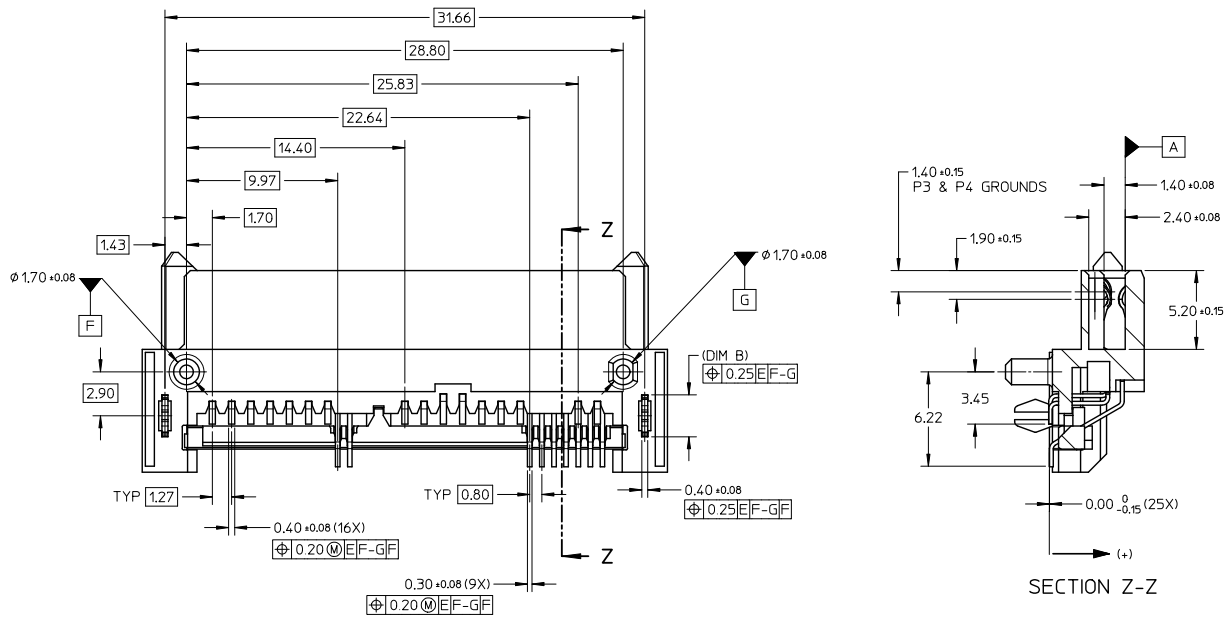


NOTES:

1. MATERIAL : LCP, GLASS FILLED, UL 94V-0, BLACK
TERMINAL/FORKLOCK : COPPER ALLOY
2. FINISHES :
TERMINAL : 0.764µm MIN. SELECTIVE GOLD OVER
1.274µm MIN. NICKEL UNDERPLATE
: 2.544µm MIN. TIN OVER
1.274µm MIN. NICKEL UNDERPLATE
FORKLOCK : 2.544µm MIN. TIN OVER
1.274µm MIN. NICKEL UNDERPLATE
3. PRODUCT SPECIFICATION PS-78395-001
4. PACKAGING SPECIFICATION : TRAY
5. MATES WITH : MOLEX MICRO SAS PLUG
6. MOLEX LOGO LOCATED APPROXIMATELY AS SHOWN
7. THIS PRODUCT IS COMPLIANT TO RoHS DIRECTIVE WITH THE FOLLOWING BANNED SUBSTANCES - LEAD, MERCURY, CADMIUM, HEXAVALENT CHROMIUM, POLYBROMINATED BIPHENYLS AND POLYBROMINATED DIPHENYLS ETHERS.
8. NON FUNCTIONAL CORING MAY VARY.

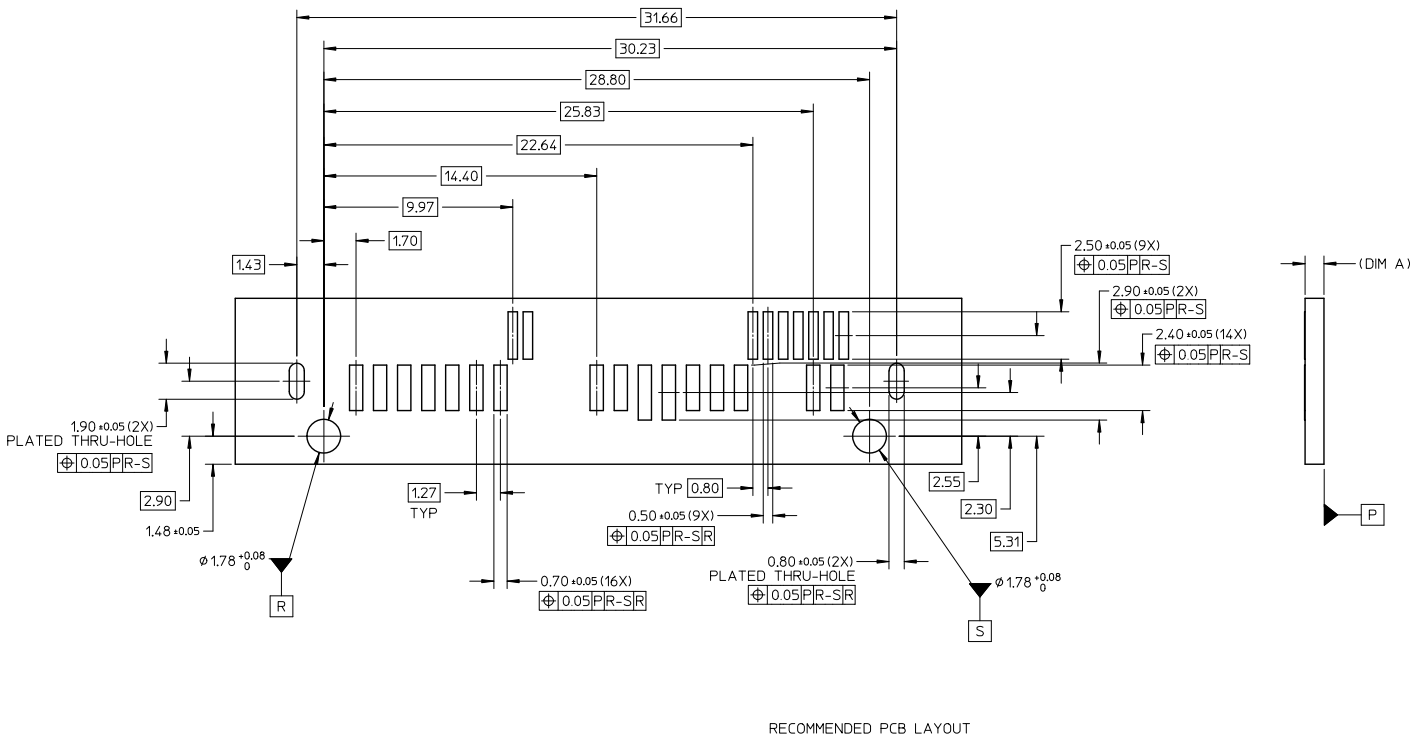


REVISED BASEPLATE EC NO: S2010-0600 DRAWN BY: YKOH CHKD: SCHEDONG APPR: BOKOK DATE: 2010/01/14 DATE: 2010/03/31 DATE: 2010/04/01	QUALITY SYMBOLS √=0 √=0 √=0	GENERAL TOLERANCES (UNLESS SPECIFIED)		DIMENSION STYLE MM ONLY		SCALE NTS	DESIGN UNITS METRIC	THIRD ANGLE PROJECTION			
		4 PLACES ± --- ± ---	3 PLACES ± --- ± ---	2 PLACES ± 0.20 ± ---	1 PLACE ± --- ± ---	ANGULAR ± 3 °	DRAWN BY YKOH		DATE 2008/05/20	TITLE MICRO SAS RECEPTACLE R/A, SMT, 3.85MM HEIGHT 1.8 INCH SSD/HDD	
		DRAFT WHERE APPLICABLE MUST REMAIN WITHIN DIMENSIONS					CHECKED BY JTAN02		DATE 2008/06/11	APPROVED BY BOKOK	DATE 2010/03/31
		MATERIAL NO. SEE TABLE		DOCUMENT NO. SD-78395-001		SHEET NO. 1 OF 4					



REVISED BASEPLATE EC. NO.: S2010-0600 DRAWN BY: YKOH CHKD: SCHEDONG APPR: BOKOK	QUALITY SYMBOLS √=0 √=0 √=0	GENERAL TOLERANCES (UNLESS SPECIFIED) <table border="1"> <thead> <tr> <th></th> <th>mm</th> <th>INCH</th> </tr> </thead> <tbody> <tr> <td>4 PLACES</td> <td>± ---</td> <td>± ---</td> </tr> <tr> <td>3 PLACES</td> <td>± ---</td> <td>± ---</td> </tr> <tr> <td>2 PLACES</td> <td>± 0.20</td> <td>± ---</td> </tr> <tr> <td>1 PLACE</td> <td>± ---</td> <td>± ---</td> </tr> </tbody> </table>		mm	INCH	4 PLACES	± ---	± ---	3 PLACES	± ---	± ---	2 PLACES	± 0.20	± ---	1 PLACE	± ---	± ---	DIMENSION STYLE MM ONLY	SCALE NTS	DESIGN UNITS METRIC	THIRD ANGLE PROJECTION
		mm	INCH																		
	4 PLACES	± ---	± ---																		
	3 PLACES	± ---	± ---																		
2 PLACES	± 0.20	± ---																			
1 PLACE	± ---	± ---																			
A7	DRAFT WHERE APPLICABLE MUST REMAIN WITHIN DIMENSIONS	DRAWN BY: YKOH DATE: 2008/05/20 CHECKED BY: JTAN02 DATE: 2008/06/11 APPROVED BY: BOKOK DATE: 2010/03/31	MATERIAL NO. SEE TABLE	TITLE MICRO SAS RECEPTACLE R/A, SMT, 3.85MM HEIGHT 1.8 INCH SSD/HDD	MOLEX INCORPORATED	SHEET NO. 2 OF 4															
		THIS DRAWING CONTAINS INFORMATION THAT IS PROPRIETARY TO MOLEX INCORPORATED AND SHOULD NOT BE USED WITHOUT WRITTEN PERMISSION																			

10 9 8 7 6 5 4 3 2 1



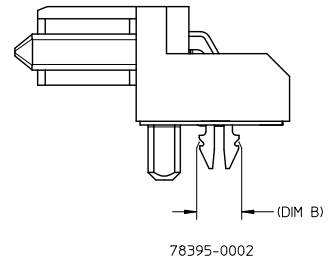
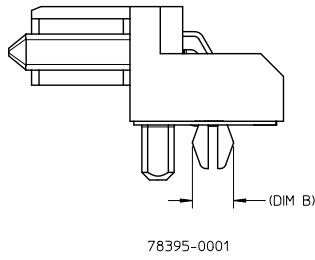
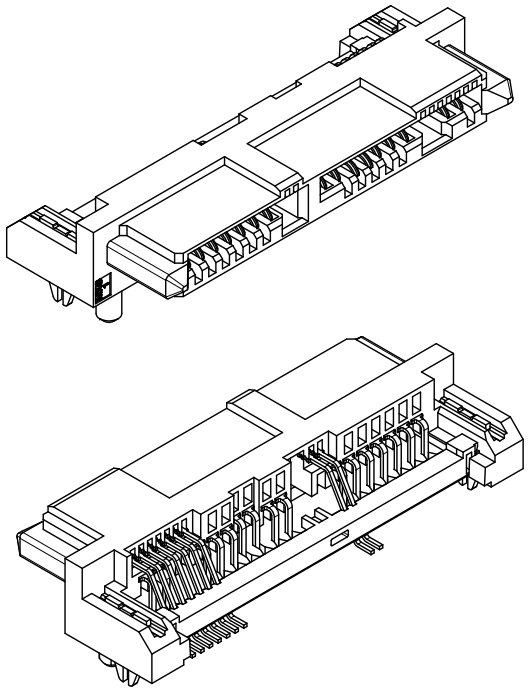
RECOMMENDED PCB LAYOUT

REVISED BASEPLATE EC NO: S2010-0600 DRAWN BY: YKOH CHKD: SCHEONG APPR: BOKOK	2010/01/14 2010/03/31 2010/04/01	QUALITY SYMBOLS $\sqrt{\text{R}}=0$ $\sqrt{\text{E}}=0$ $\sqrt{\text{S}}=0$	GENERAL TOLERANCES (UNLESS SPECIFIED) <table border="1"> <thead> <tr> <th></th> <th>mm</th> <th>INCH</th> </tr> </thead> <tbody> <tr> <td>4 PLACES</td> <td>±---</td> <td>±---</td> </tr> <tr> <td>3 PLACES</td> <td>±---</td> <td>±---</td> </tr> <tr> <td>2 PLACES</td> <td>±0.20</td> <td>±---</td> </tr> <tr> <td>1 PLACE</td> <td>±---</td> <td>±---</td> </tr> <tr> <td colspan="3">ANGULAR ± 3°</td> </tr> </tbody> </table>		mm	INCH	4 PLACES	±---	±---	3 PLACES	±---	±---	2 PLACES	±0.20	±---	1 PLACE	±---	±---	ANGULAR ± 3°			DIMENSION STYLE MM ONLY	SCALE NTS	DESIGN UNITS METRIC	THIRD ANGLE PROJECTION
		mm	INCH																						
	4 PLACES	±---	±---																						
	3 PLACES	±---	±---																						
2 PLACES	±0.20	±---																							
1 PLACE	±---	±---																							
ANGULAR ± 3°																									
DRAWN BY: YKOH CHECKED BY: JTAN02 APPROVED BY: BOKOK	DATE: 2008/05/20 DATE: 2008/06/11 DATE: 2010/03/31	TITLE MICRO SAS RECEPTACLE R/A, SMT, 3.85MM HEIGHT 1.8 INCH SSD/HDD	MOLEX INCORPORATED	MATERIAL NO. SEE TABLE	DOCUMENT NO. SD-78395-001	SHEET NO. 3 OF 4	THIS DRAWING CONTAINS INFORMATION THAT IS PROPRIETARY TO MOLEX INCORPORATED AND SHOULD NOT BE USED WITHOUT WRITTEN PERMISSION																		
DRAFT WHERE APPLICABLE MUST REMAIN WITHIN DIMENSIONS	SIZE A3	THIS DRAWING CONTAINS INFORMATION THAT IS PROPRIETARY TO MOLEX INCORPORATED AND SHOULD NOT BE USED WITHOUT WRITTEN PERMISSION																							
REV A7	REV																								

9 8 7 6 5 4 3 2 1

10 9 8 7 6 5 4 3 2 1

PART NUMBER	HOLDDOWN	DIM A (PCB THICKNESS)	DIM B
78395-0001	FORKLOCK	1.00±0.10	(2.18)
78395-0002	FORKLOCK	1.20±0.12 TO 1.60±0.16 PCB FORKLOCK HOLE MUST BE PLATED THRU-HOLE (PTH) REGARDLESS WHETHER FORKLOCK IS SOLDERED OR NOT	(2.10)



REVISED BASEPLATE EC. NO.: S2010-0600 DRAWN BY: YKOH CHKD: SCHEONG APPR: BOKOK	QUALITY SYMBOLS √=0 √=0 √=0	GENERAL TOLERANCES (UNLESS SPECIFIED) <table border="1"> <thead> <tr> <th></th> <th>mm</th> <th>INCH</th> </tr> </thead> <tbody> <tr> <td>4 PLACES</td> <td>±---</td> <td>±---</td> </tr> <tr> <td>3 PLACES</td> <td>±---</td> <td>±---</td> </tr> <tr> <td>2 PLACES</td> <td>±0.20</td> <td>±---</td> </tr> <tr> <td>1 PLACE</td> <td>±---</td> <td>±---</td> </tr> <tr> <td colspan="3">ANGULAR ± 3°</td> </tr> </tbody> </table>		mm	INCH	4 PLACES	±---	±---	3 PLACES	±---	±---	2 PLACES	±0.20	±---	1 PLACE	±---	±---	ANGULAR ± 3°			DIMENSION STYLE MM ONLY	SCALE NTS	DESIGN UNITS METRIC	THIRD ANGLE PROJECTION
		mm	INCH																					
	4 PLACES	±---	±---																					
	3 PLACES	±---	±---																					
2 PLACES	±0.20	±---																						
1 PLACE	±---	±---																						
ANGULAR ± 3°																								
REV A7	DRAFT WHERE APPLICABLE MUST REMAIN WITHIN DIMENSIONS	DRAWN BY: YKOH DATE: 2008/05/20 CHECKED BY: JTAN02 DATE: 2008/06/11 APPROVED BY: BOKOK DATE: 2010/03/31	MATERIAL NO. SEE TABLE	TITLE MICRO SAS RECEPTACLE R/A, SMT, 3.85MM HEIGHT 1.8 INCH SSD/HDD	MOLEX INCORPORATED	SHEET NO. 4 OF 4																		
		DRAFT WHERE APPLICABLE MUST REMAIN WITHIN DIMENSIONS	SIZE A3	THIS DRAWING CONTAINS INFORMATION THAT IS PROPRIETARY TO MOLEX INCORPORATED AND SHOULD NOT BE USED WITHOUT WRITTEN PERMISSION																				
				DOCUMENT NO. SD-78395-001																				

9 8 7 6 5 4 3 2 1