

Excellent Integrated System Limited

Stocking Distributor

Click to view price, real time Inventory, Delivery & Lifecycle Information:

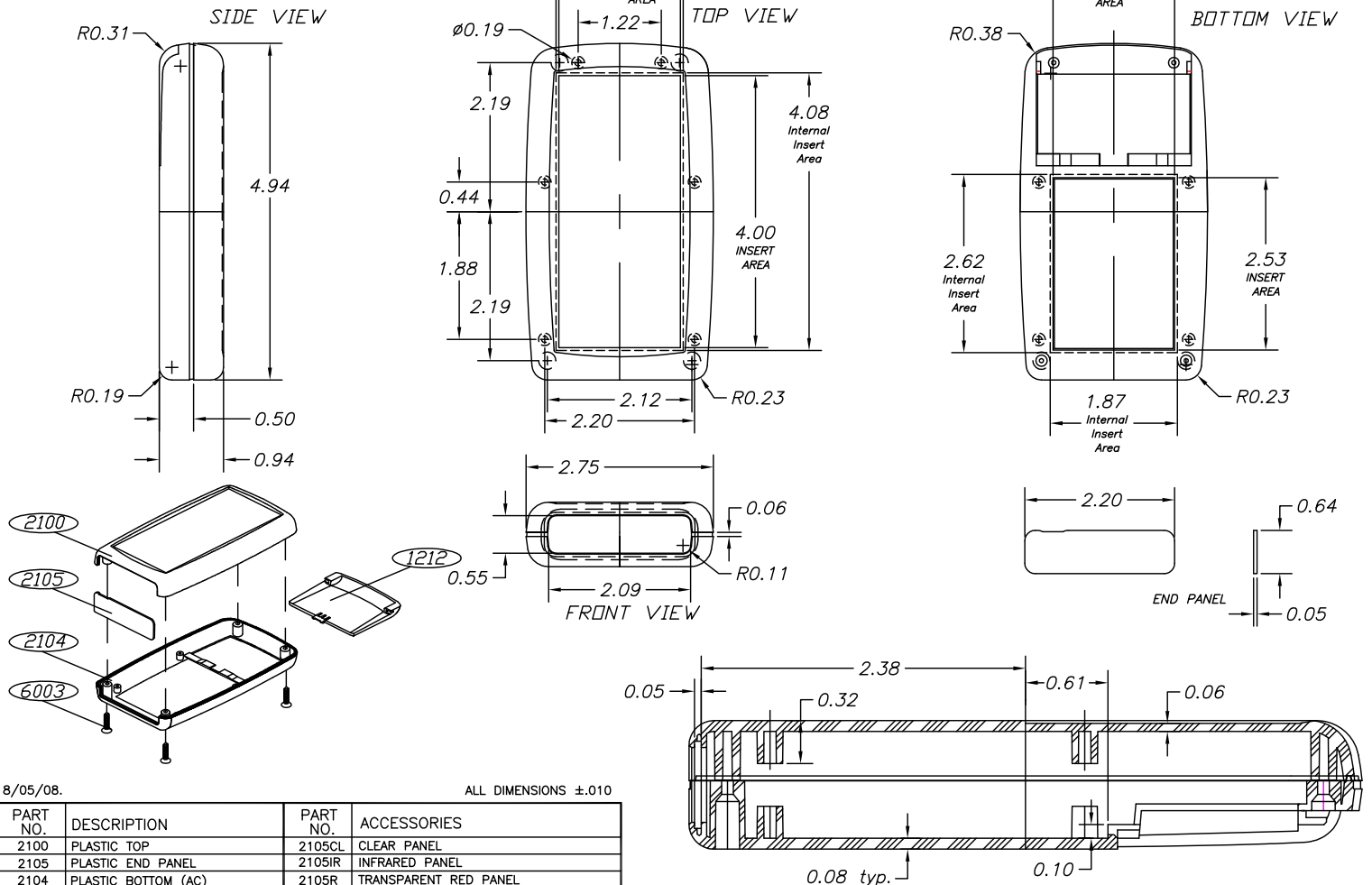
[Serpac Electronic Enclosures](#)
[H65AC,BK](#)

For any questions, you can email us directly:

sales@integrated-circuit.com

SERPAC H-65,AC
Electronics Enclosures

NOTES:
1. WHEN MACHINE OR I PLATES MODIFICATIONS ARE REQUIRED, USE THE CENTER OF THE BOX TO DIMENSION.



8/05/08.

ALL DIMENSIONS ±.010

PART NO.	DESCRIPTION	PART NO.	ACCESSORIES
2100	PLASTIC TOP	2105CL	CLEAR PANEL
2105	PLASTIC END PANEL	2105IR	INFRARED PANEL
2104	PLASTIC BOTTOM (AC)	2105R	TRANSPARENT RED PANEL
6003	SCREW (4)		
1212	PLASTIC BATTERY COVER		

619 Commercial Ave. Covina, CA 91723
(626) 331-0517 Fax (626) 331-8584 <http://www.serpac.com>.