



**Distributor of Serpac Electronic Enclosures: Excellent Integrated System Limited**

Datasheet of H65AA,BK - BOX ABS BLACK 4.94"L X 2.75"W

Contact us: [sales@integrated-circuit.com](mailto:sales@integrated-circuit.com) Website: [www.integrated-circuit.com](http://www.integrated-circuit.com)

---

## **Excellent Integrated System Limited**

Stocking Distributor

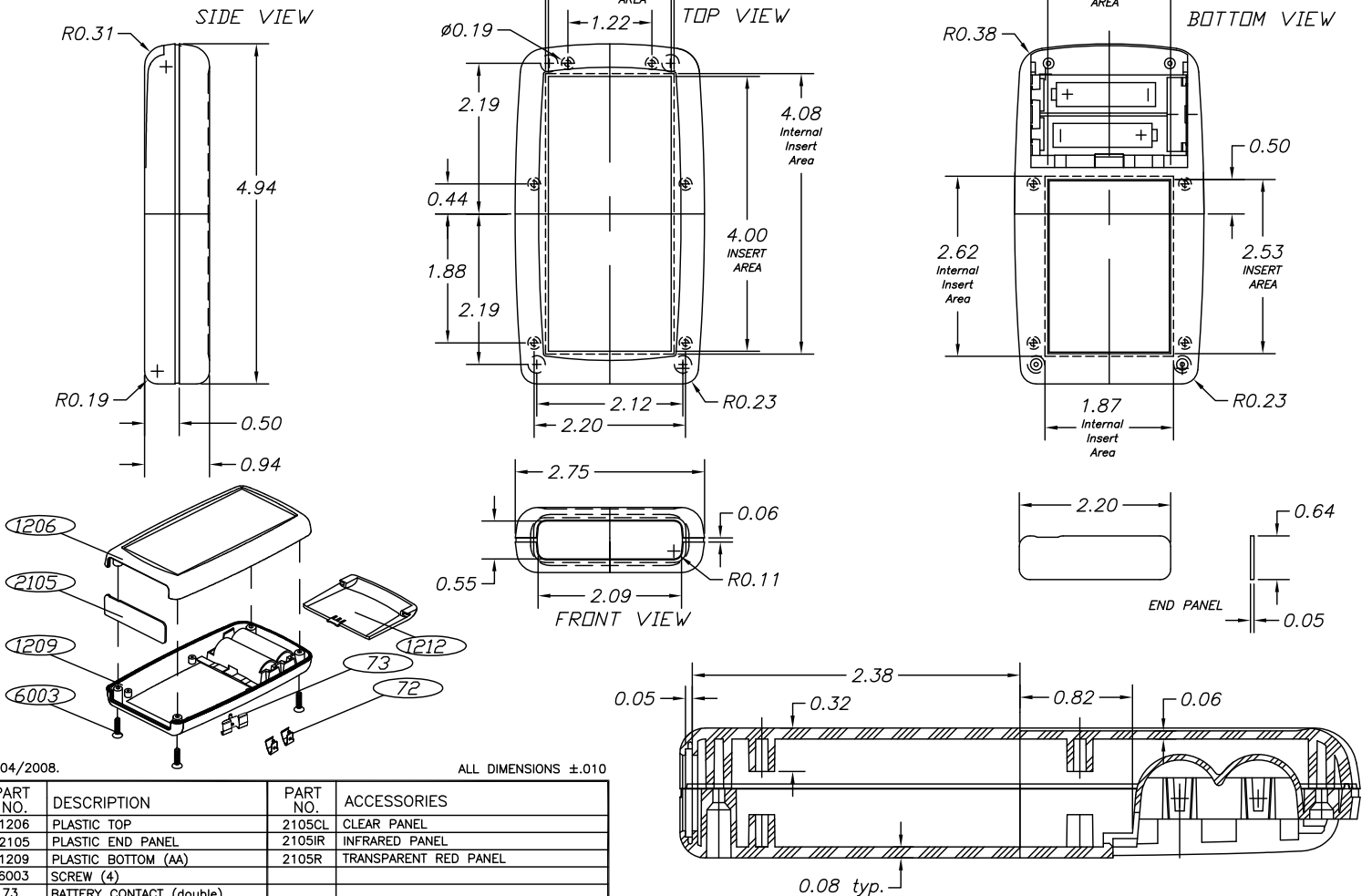
Click to view price, real time Inventory, Delivery & Lifecycle Information:

[Serpac Electronic Enclosures](#)  
[H65AA,BK](#)

For any questions, you can email us directly:

[sales@integrated-circuit.com](mailto:sales@integrated-circuit.com)

**SERPAC H-65,AA**  
Electronics Enclosures



8/04/2008. ALL DIMENSIONS ±.010

PART NO.	DESCRIPTION	PART NO.	ACCESSORIES
1206	PLASTIC TOP	2105CL	CLEAR PANEL
2105	PLASTIC END PANEL	2105IR	INFRARED PANEL
1209	PLASTIC BOTTOM (AA)	2105R	TRANSPARENT RED PANEL
6003	SCREW (4)		
73	BATTERY CONTACT (double)		
1212	PLASTIC BATTERY COVER		
72	BATTERY CONTACT (single)		