

Excellent Integrated System Limited

Stocking Distributor

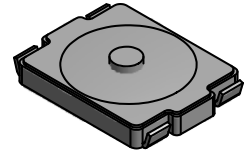
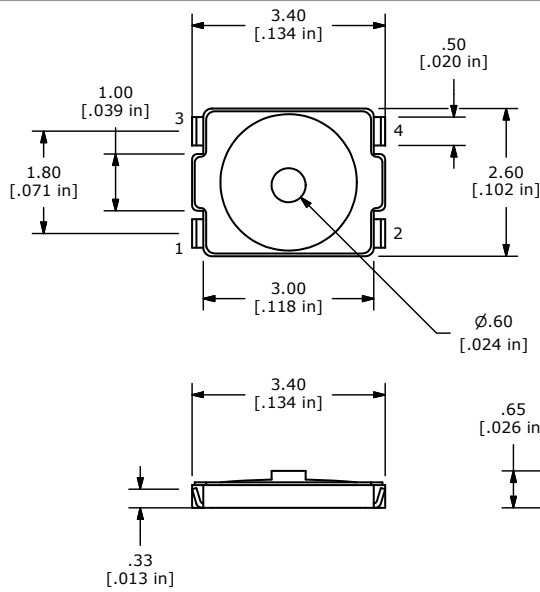
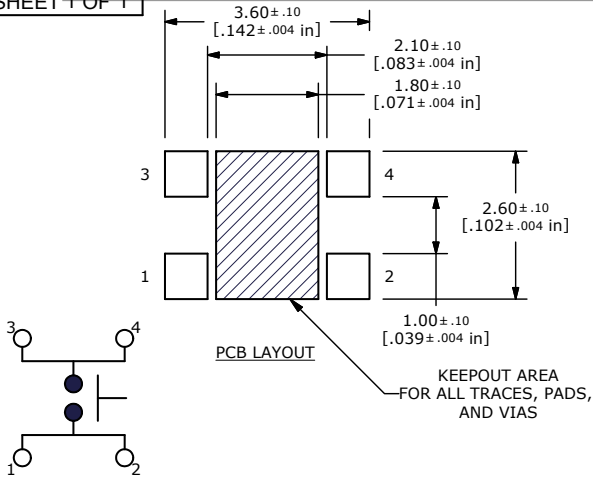
Click to view price, real time Inventory, Delivery & Lifecycle Information:

[E-Switch](#)
[TL3700AF160QG](#)

For any questions, you can email us directly:

sales@integrated-circuit.com

SHEET 1 OF 1



CIRCUIT: SPST

NOTES:

1. ALL DIMENSIONS IN MM [INCH]
 x.x = +/-0.4
 x.xx = +/-0.25
2. TERMINAL NUMBERS FOR REF. ONLY
3. CONTACT MATERIAL: SILVER
4. CONTACT RATING: 20mA; 15VDC
5. TRAVEL: 0.15 ±0.1mm
- ▲ 6. OPERATING FORCE: 160± 50 GRAMS
7. ELECTRICAL LIFE: 100,000 CYCLES
8. CONTACT RESISTANCE: 500mΩ MAX.
9. ▲ DENOTES CRITICAL PARAMETER
10. BOUNCE: 10m SECONDS MAX
11. INSULATION RESISTANCE: 100MΩ MIN.
12. DIELECTRIC STRENGTH: 250VAC FOR 1 MINUTE WITH NO BREAK DOWN
13. 2002/95/EC (ROHS) COMPLIANT; HALOGEN FREE
14. PACKAGING: TAPE & REEL, 8000 PARTS PER REEL.

D	21339	Revised housing	12/30/13	rc
C	20937	Update to new Actuator	12/21/12	rc
B	19700	UPDATE RATING	02/22/11	BMA
A	19549	New Release	12/27/10	rc
REV	PCR NO	DESCRIPTION	DATE	BY

E-SWITCH®

TITLE TL3700AF160QG

SCALE 10:1	DATE 12/20/2010	DR rc	DWG P003000	REV D
------------	-----------------	-------	-------------	-------

THE INFORMATION CONTAINED IN THIS DOCUMENT IS PROPRIETARY TO E-SWITCH AND IS NOT TO BE COPIED OR TRANSFERRED