

## Excellent Integrated System Limited

Stocking Distributor

Click to view price, real time Inventory, Delivery & Lifecycle Information:

[Richtek USA Inc.](#)  
[RT9711AGB](#)

For any questions, you can email us directly:

[sales@integrated-circuit.com](mailto:sales@integrated-circuit.com)

## 80mΩ, 1.5A/0.6A High-Side Power Switches with Flag

### General Description

The RT9711A/B/C/D are cost-effective, low voltage, single N-MOSFET high-side power switches, optimized for self-powered and bus-powered Universal Serial Bus (USB) applications. The RT9711 series are equipped with a charge pump circuitry to drive the internal MOSFET switch. The switch's low  $R_{DS(ON)}$ , 80mΩ, meets USB voltage drop requirements. A flag output is available to indicate fault conditions to the local USB controller.

Additional features include soft-start to limit inrush current during plug-in, thermal shutdown to prevent catastrophic switch failure from high-current loads, under-voltage lockout (UVLO) to ensure that the device remains off unless there is a valid input voltage present, fault current is limited to typically 2.5A for RT9711A/B in dual ports and 1A for RT9711C/D in single port in accordance with the USB power requirements, lower quiescent current as 25μA making this device ideal for portable battery-operated equipment.

The RT9711 series are available in SOT-23-5, TSOT-23-5, SOP-8 and MSOP-8 packages fitting different aspect of broad applications.

### Ordering Information

|        |                        |                                      |                            |
|--------|------------------------|--------------------------------------|----------------------------|
| RT9711 | □                      | □                                    | □                          |
|        | └─                     | └─                                   | └─                         |
|        | Package Type           | Lead Plating System                  | Output Current/EN Function |
|        | B : SOT-23-5           | P : Pb Free                          | A : 1.5A/Active High       |
|        | BG : SOT-23-5 (G-Type) | G : Green (Halogen Free and Pb Free) | B : 1.5A/Active Low        |
|        | J5 : TSOT-23-5         |                                      | C : 0.6A/Active High       |
|        | S : SOP-8              |                                      | D : 0.6A/Active Low        |
|        | F : MSOP-8             |                                      |                            |

Note :

Richtek products are :

- ▶ RoHS compliant and compatible with the current requirements of IPC/JEDEC J-STD-020.
- ▶ Suitable for use in SnPb or Pb-free soldering processes.

### Features

- Compliant to USB Specifications
- Built-In N-MOSFET
  - ▶ Typical  $R_{DS(ON)}$  : 80mΩ (SOT-23-5 & TSOT-23-5) and 90mΩ (SOP-8 & MSOP-8)
- Output Can Be Forced Higher Than Input (Off-State)
- Low Supply Current :
  - 25μA Typical at Switch On State
  - 1μA Typical at Switch Off State
- Guaranteed 1.5A for RT9711A/B and 0.6A for RT9711C/D Continuous Load Current
- Wide Input Voltage Ranges : 2.5V to 5.5V
- Open-Drain Fault Flag Output
- Hot Plug-In Application (Soft-Start)
- 1.7V Typical Under-Voltage Lockout (UVLO)
- Current Limiting Protection
- Thermal Shutdown Protection
- Reverse Current Flow Blocking (no body diode)
- Smallest SOT-23-5 and TSOT-23-5 Packages Minimizes Board Space
- UL Approved—E219878
- TUV IEC60950-1 : 2005 Certified
- RoHS Compliant and 100% Lead (Pb)-Free

### Applications

- USB Bus/Self Powered Hubs
- USB Peripherals
- ACPI Power Distribution
- PC Card Hot Swap
- Notebook, Motherboard PCs
- Battery-Powered Equipment
- Hot-Plug Power Supplies
- Battery-Charger Circuits

### Marking Information

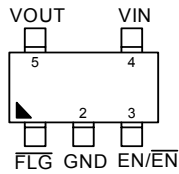
For marking information, contact our sales representative directly or through a Richtek distributor located in your area.

# RT9711A/B/C/D

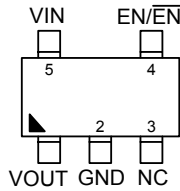


## Pin Configurations

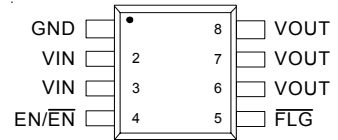
(TOP VIEW)



SOT-23-5/TSOT-23-5

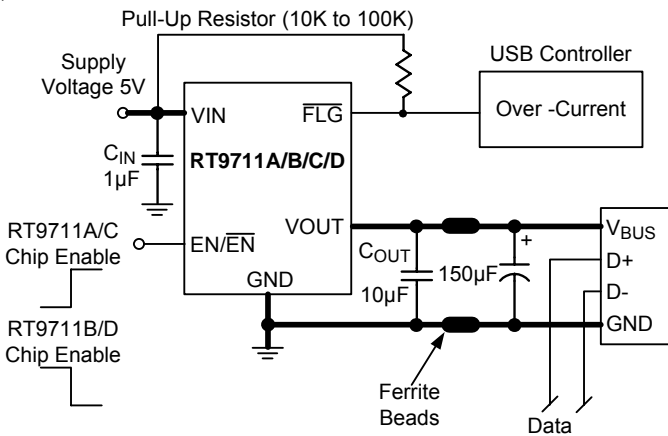


SOT-23-5 (G-Type)



SOP-8/MSOP-8

## Typical Application Circuit

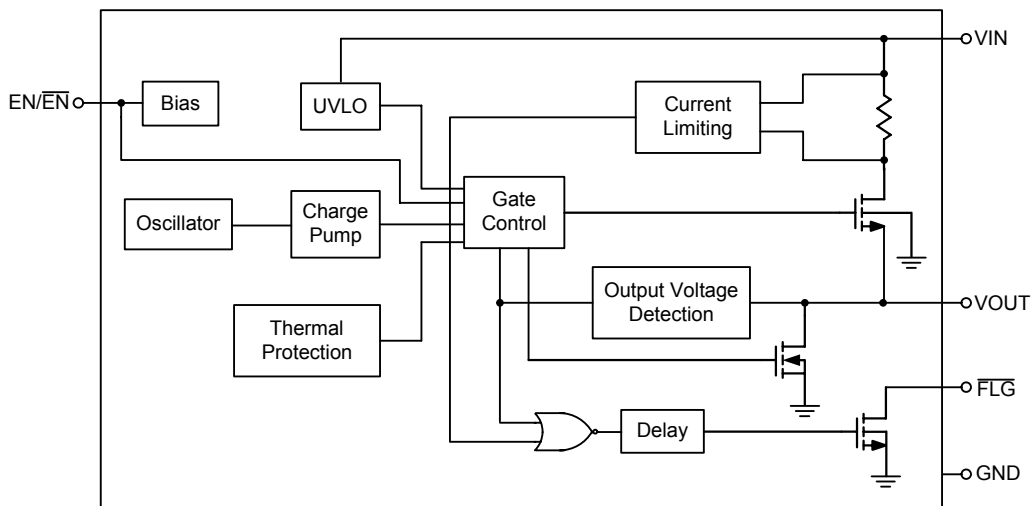


**Note:** A low-ESR 150µF aluminum electrolytic or tantalum between V<sub>OUT</sub> and GND is strongly recommended to meet the 330mV maximum droop requirement in the hub V<sub>BUS</sub>. (see Application Information Section for further details)

## Functional Pin Description

| Pin Name | Pin Function  |
|----------|---|
| VIN      | Power-Input Voltage   |
| VOUT     | Output Voltage  |
| GND      | Ground  |
| EN/EN    | Chip Enable. Never let this pin floating. (Active High for RT9711A/C, Active Low for RT9711B/D) |
| FLG      | Open-Drain Fault Flag Output  |

## Function Block Diagram



# RICHTEK

# RT9711A/B/C/D

## Absolute Maximum Ratings (Note 1)

|   |       |                |
|---|-------|----------------|
| • Supply Voltage                                    | ----- | 6.5V           |
| • Chip Enable Input Voltage                         | ----- | -0.3V to 6.5V  |
| • Flag Voltage                                      | ----- | 6.5V           |
| • Power Dissipation, $P_D @ T_A = 25^\circ\text{C}$ |       |                |
| SOT-23-5, TSOT-23-5                                 | ----- | 0.4W           |
| SOP-8, MSOP-8                                       | ----- | 0.625W         |
| • Package Thermal Resistance (Note 2)               |       |                |
| SOT-23-5, TSOT-23-5, $\theta_{JA}$                  | ----- | 250°C/W        |
| SOP-8, MSOP-8, $\theta_{JA}$                        | ----- | 160°C/W        |
| • Junction Temperature                              | ----- | 150°C          |
| • Lead Temperature (Soldering, 10 sec.)             | ----- | 260°C          |
| • Storage Temperature Range                         | ----- | -65°C to 150°C |
| • ESD Susceptibility (Note 3)                       |       |                |
| HBM (Human Body Mode)                               | ----- | 2kV            |
| MM (Machine Mode)                                   | ----- | 200V           |

## Recommended Operating Conditions (Note 4)

|                              |       |                |
|------------------------------|-------|----------------|
| • Supply Input Voltage       | ----- | 2.5V to 5.5V   |
| • Chip Enable Input Voltage  | ----- | 0V to 5.5V     |
| • Junction Temperature Range | ----- | -40°C to 125°C |
| • Ambient Temperature Range  | ----- | -40°C to 85°C  |

## Electrical Characteristics

( $V_{IN} = 5V$ ,  $C_{IN} = C_{OUT} = 1\mu\text{F}$ ,  $T_A = 25^\circ\text{C}$ , unless otherwise specified)

| Parameter                         |                     | Symbol                 | Test Conditions   | Min | Typ  | Max | Units |
|-----------------------------------|---------------------|------------------------|---|-----|------|-----|-------|
| Switch On Resistance (RT9711A/B)  | SOT-23-5, TSOT-23-5 | $R_{DS(ON)}$           | $I_{OUT} = 1A, V_{IN} = 5V$                               | -   | 80   | 100 | mΩ    |
|                                   | SOP-8, MSOP-8       |                        |   | -   | 90   | 110 |       |
| Switch On Resistance (RT9711C/D)  | SOT-23-5, TSOT-23-5 |                        | $I_{OUT} = 0.5A, V_{IN} = 5V$                             | -   | 80   | 100 | mΩ    |
|                                   | SOP-8, MSOP-8       |                        |   | -   | 90   | 110 |       |
| Supply Current                    |                     | $I_{SW\_ON}$           | switch on, $R_{LOAD}$ Open                                | -   | 25   | 45  | μA    |
|                                   |                     | $I_{SW\_OFF}$          | switch off, $R_{LOAD}$ Open                               | -   | 0.1  | 1   |       |
| EN/ $\overline{EN}$ Threshold     | Logic-Low Voltage   | $V_{IL}$               | $V_{IN} = 2.5V$ to $5.5V$                                 | -   | --   | 0.8 | V     |
|                                   | Logic-High Voltage  | $V_{IH}$               | $V_{IN} = 2.5V$ to $5.5V$                                 | 2.0 | --   | --  | V     |
| EN/ $\overline{EN}$ Input Current |                     | $I_{EN/\overline{EN}}$ | $V_{EN/\overline{EN}} = 0V$ to $5.5V$                     | -   | 0.01 | --  | μA    |
| Output Leakage Current            |                     | $I_{LEAK}$             | $V_{EN} = 0V, V_{\overline{EN}} = 5V, R_{LOAD} = 0\Omega$ | -   | 0.5  | 10  | μA    |
| Output Turn-On Rise Time          |                     | $T_{ON\_RISE}$         | 10% to 90% of $V_{OUT}$ rising                            | -   | 400  | --  | us    |
| Current Limit                     | RT9711A/B           | $I_{LIM}$              | Current Ramp (< 0.1A/ms) on $V_{OUT}$                     | 1.6 | 2.5  | 3.2 | A     |
|                                   | RT9711C/D           |                        |   | 0.7 | 1    | 1.4 | A     |

To be continued

# RT9711A/B/C/D



| Parameter                       |           | Symbol               | Test Conditions  | Min | Typ  | Max | Units |
|---------------------------------|-----------|----------------------|--|-----|------|-----|-------|
| Short Circuit Fold-Back Current | RT9711A/B | I <sub>SC_FB</sub>   | V <sub>OUT</sub> = 0V, measured prior to thermal shutdown    | --  | 1    | --  | A     |
|                                 | RT9711C/D |                      |  | --  | 0.8  | --  |       |
| FLAG Output Resistance          |           | R <sub>FLG</sub>     | I <sub>SINK</sub> = 1mA                                      | --  | 20   | 400 | Ω     |
| FLAG Off Current                |           | I <sub>FLG_OFF</sub> | V <sub>FLG</sub> = 5V  | --  | 0.01 | 1   | μA    |
| FLAG Delay Time (Note 5)        |           | t <sub>D</sub>       | From fault condition to $\overline{\text{FLG}}$ assertion    | 5   | 12   | 20  | ms    |
| Shutdown Pull-Low Resistance    |           | R <sub>DS</sub>      | V <sub>EN</sub> = 0V, $\overline{\text{V}}_{\text{EN}}$ = 5V | --  | 75   | 150 | Ω     |
| Under-voltage Lockout           |           | V <sub>UVLO</sub>    | V <sub>IN</sub> increasing                                   | 1.3 | 1.7  | --  | V     |
| Under-voltage Hysteresis        |           | ΔV <sub>UVLO</sub>   | V <sub>IN</sub> decreasing                                   | --  | 0.1  | --  | V     |
| Thermal Shutdown Protection     |           | T <sub>SD</sub>      |  | --  | 130  | --  | °C    |
| Thermal Shutdown Hysteresis     |           | ΔT <sub>SD</sub>     |  | --  | 20   | --  | °C    |

**Note 1.** Stresses listed as the above "Absolute Maximum Ratings" may cause permanent damage to the device. These are for stress ratings. Functional operation of the device at these or any other conditions beyond those indicated in the operational sections of the specifications is not implied. Exposure to absolute maximum rating conditions for extended periods may remain possibility to affect device reliability.

**Note 2.** θ<sub>JA</sub> is measured in the natural convection at T<sub>A</sub> = 25°C on a low effective thermal conductivity single layer test board of JEDEC 51-3 thermal measurement standard.

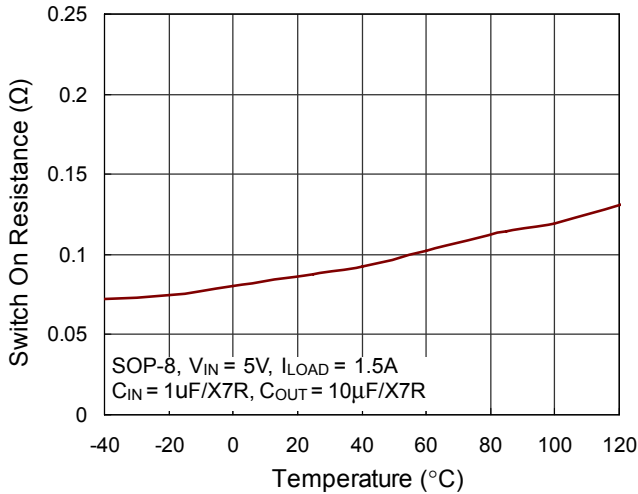
**Note 3.** Devices are ESD sensitive. Handling precaution is recommended.

**Note 4.** The device is not guaranteed to function outside its operating conditions.

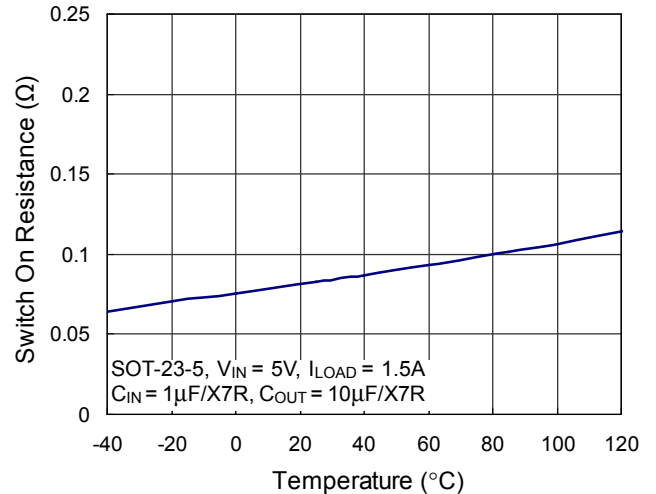
**Note 5.** The FLAG delay time is input voltage dependent, see "Typical Operating Characteristics" graph for further details.

**Typical Operating Characteristics**

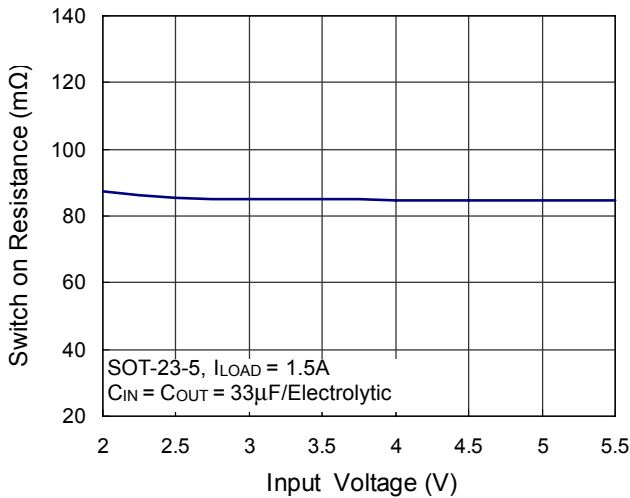
**Switch On Resistance vs. Temperature**



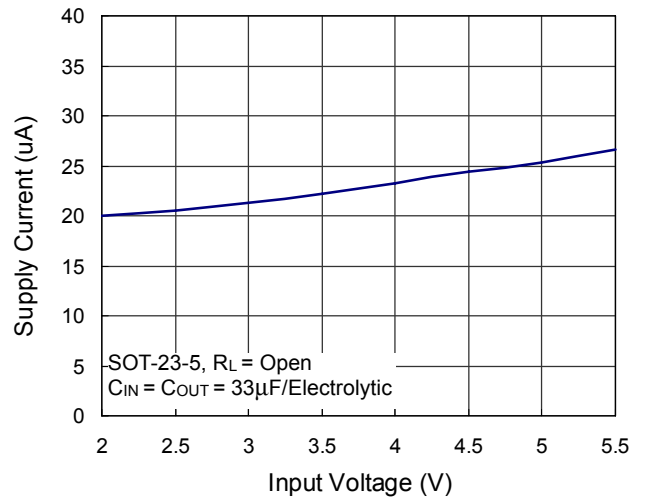
**Switch On Resistance vs. Temperature**



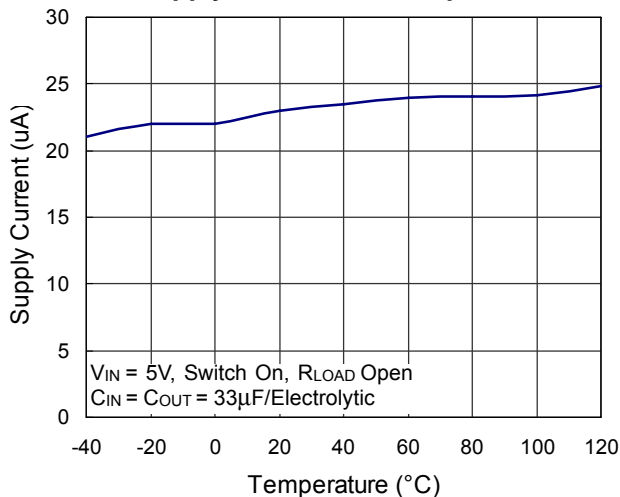
**Switch on Resistance vs. Input Voltage**



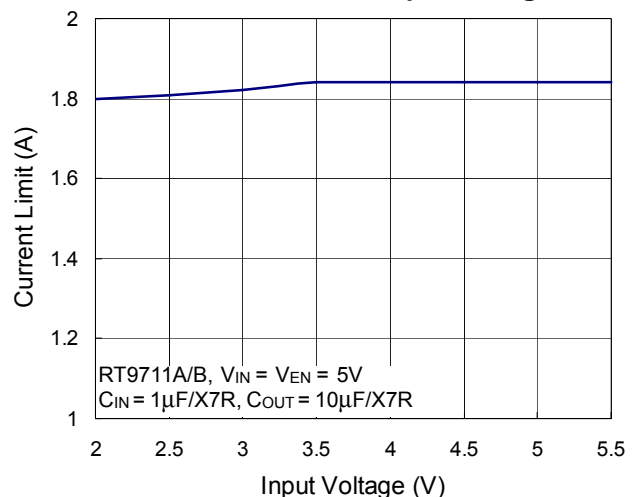
**Supply Current vs. Input Voltage**



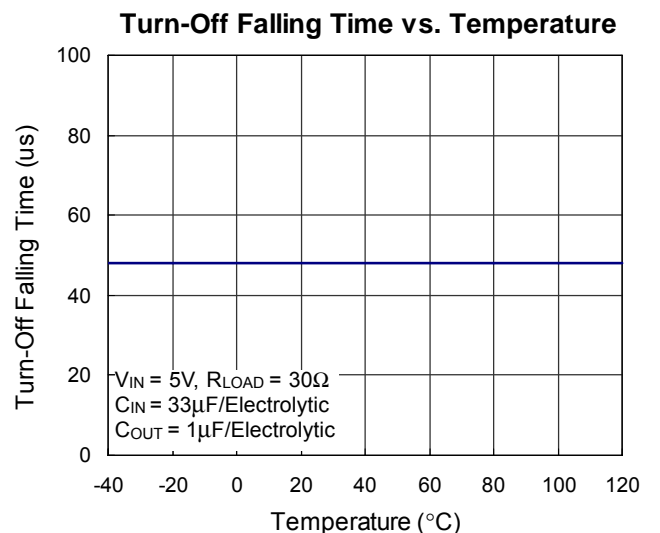
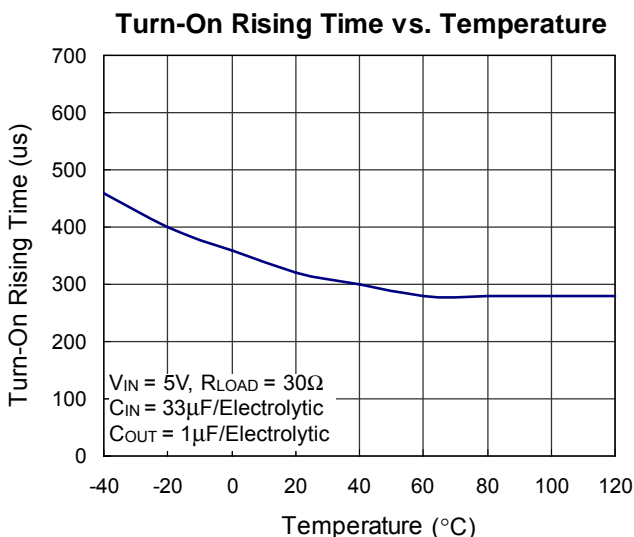
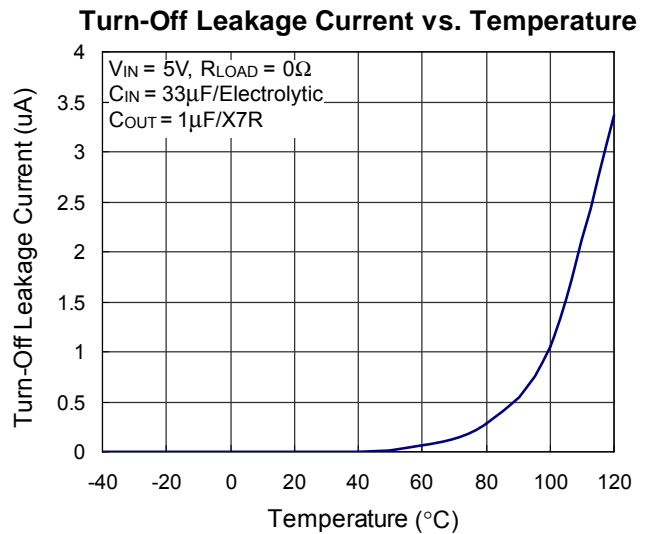
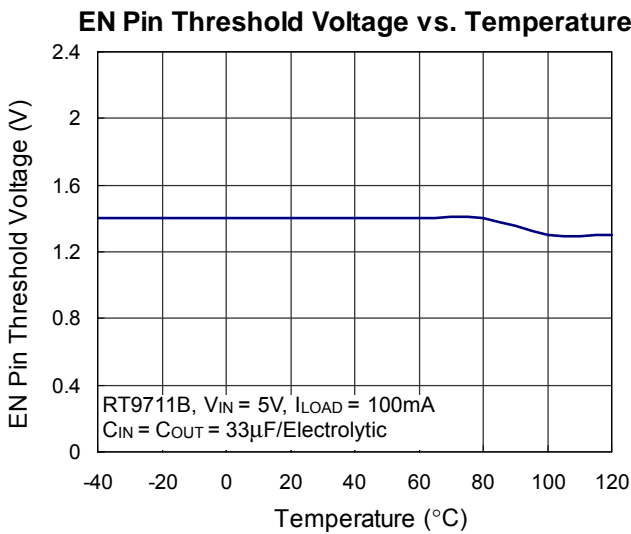
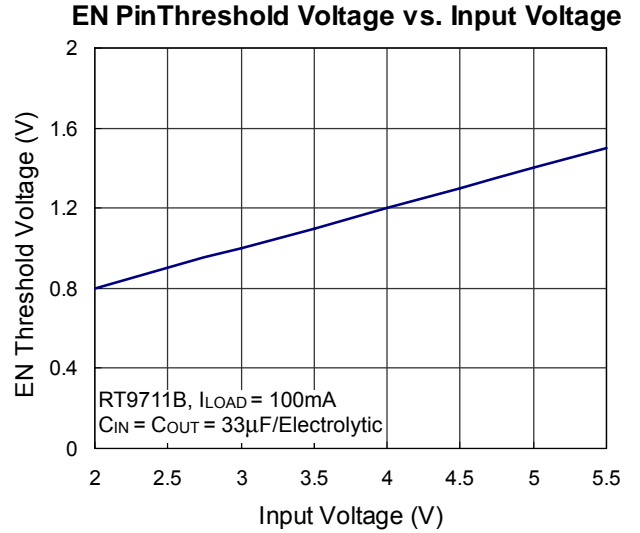
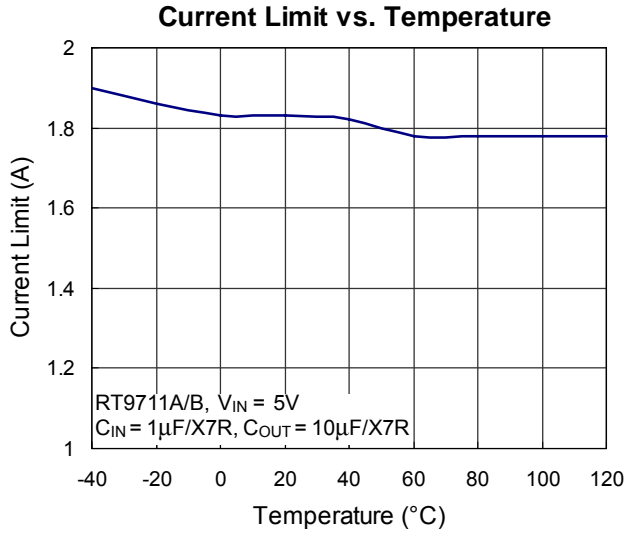
**Supply Current vs. Temperature**



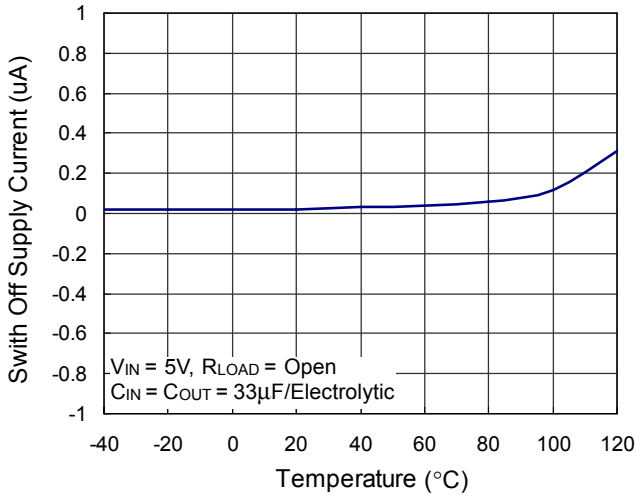
**Current Limit vs. Input Voltage**



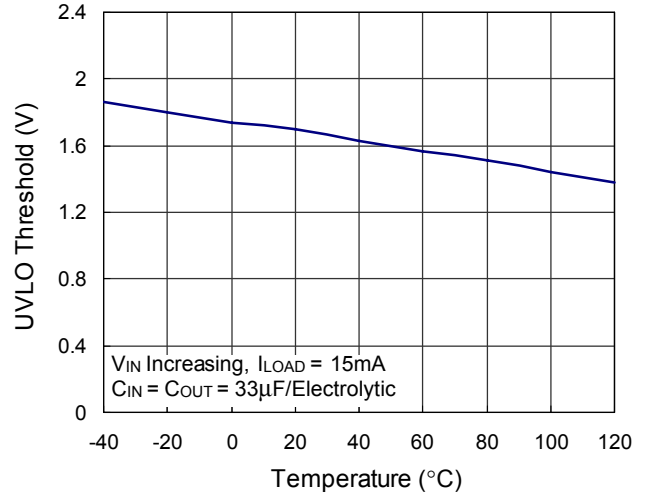
# RT9711A/B/C/D



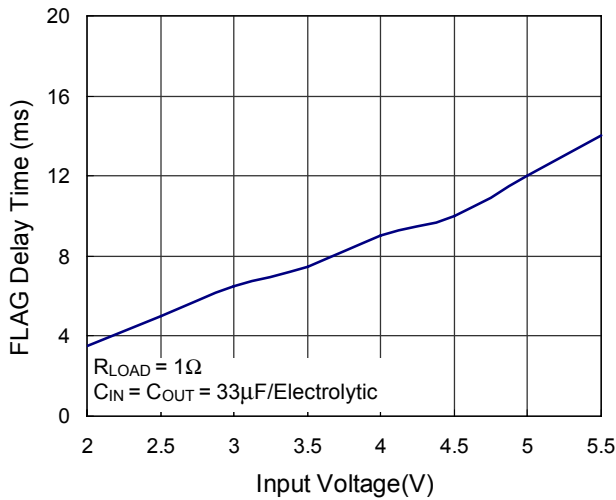
**Switch Off Supply Current vs. Temperature**



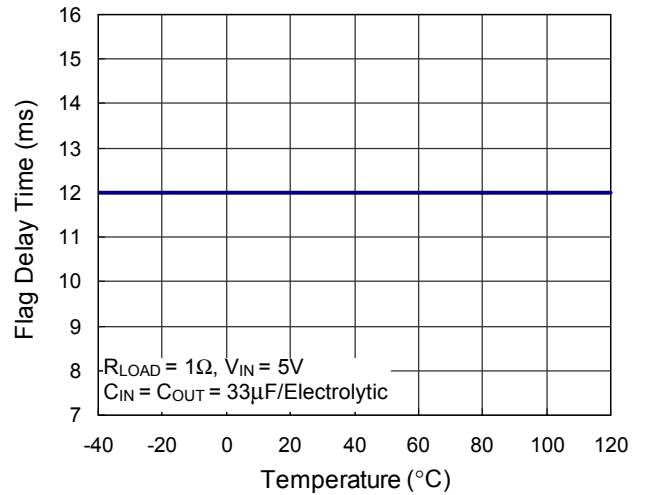
**UVLO Threshold vs. Temperature**



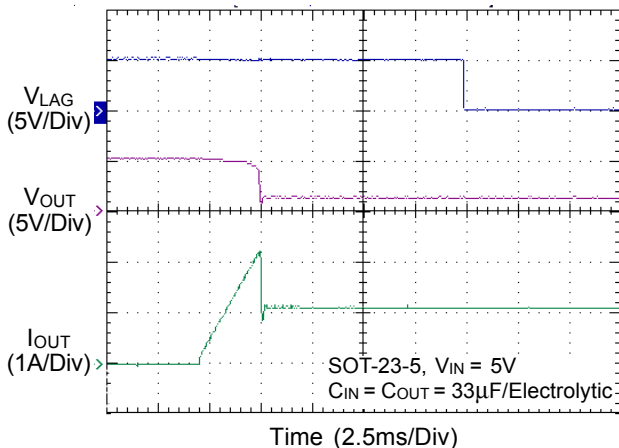
**FLAG Delay Time vs. Input Voltage**



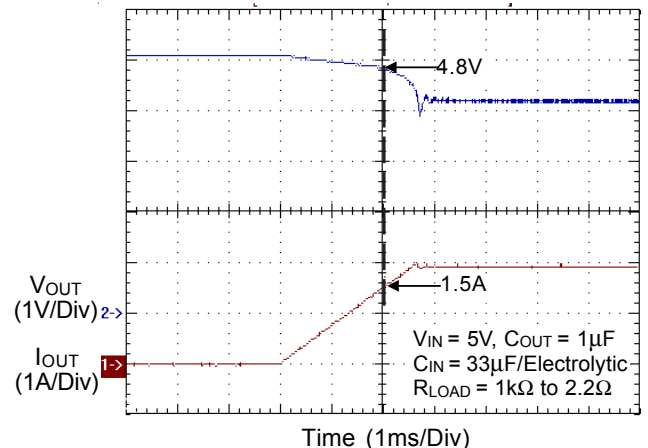
**Flag Delay Time vs. Temperature**



**Flag Response with Ramped Load**



**Load Transient Response**

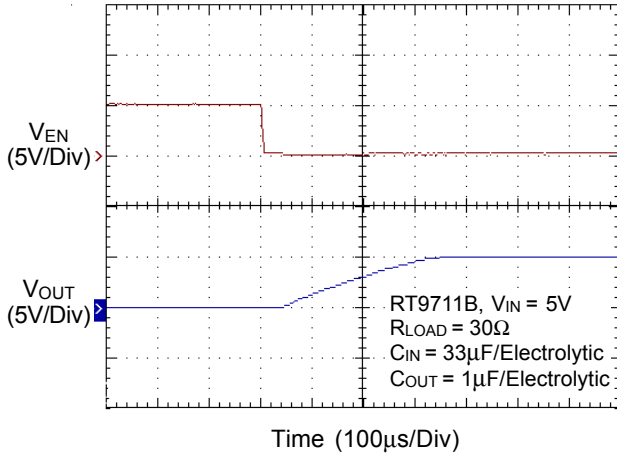




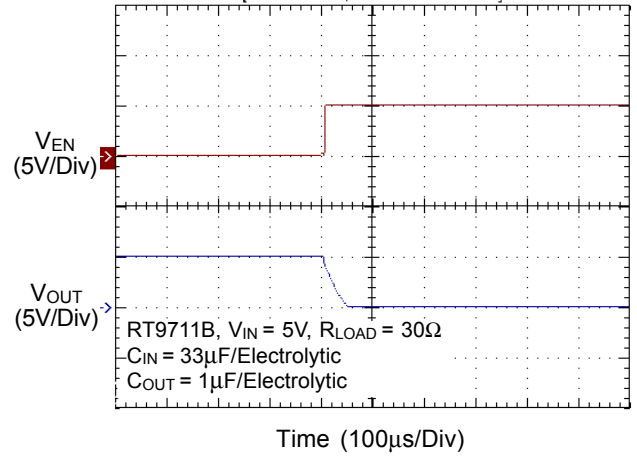
# RT9711A/B/C/D



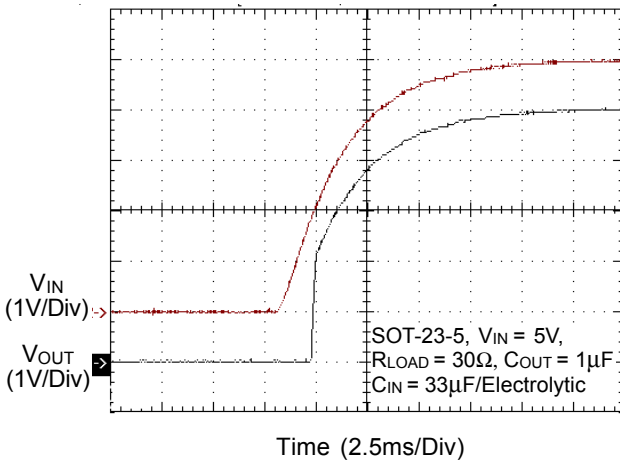
## Turn On Response



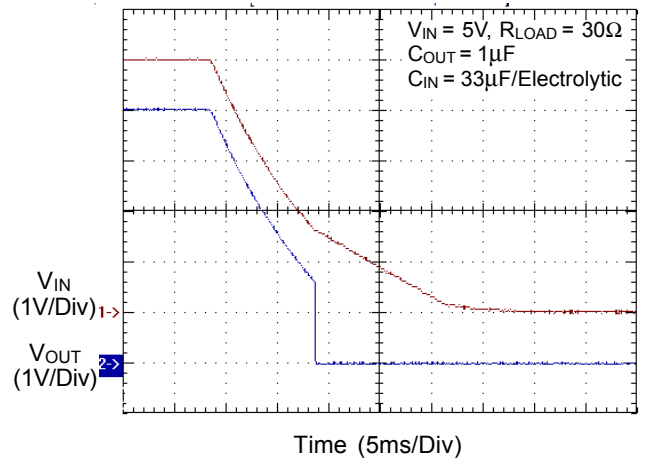
## Turn Off Response



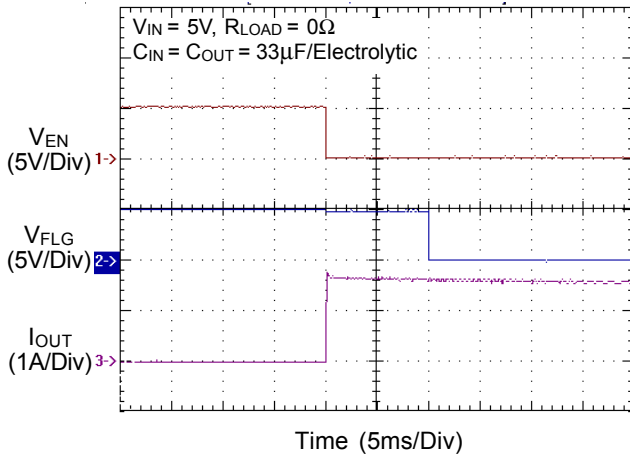
## UVLO at Rising



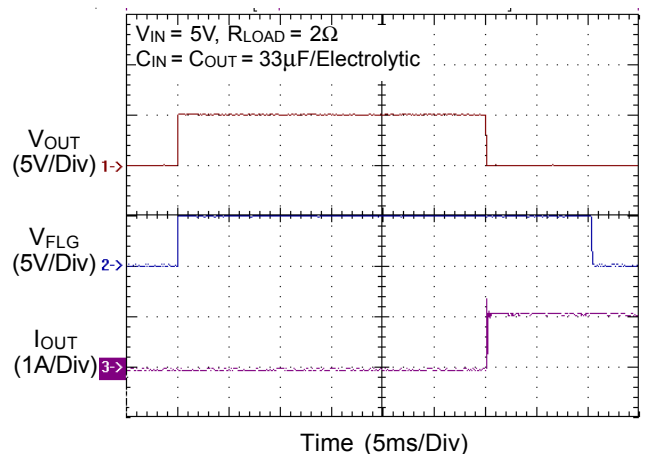
## UVLO at Falling

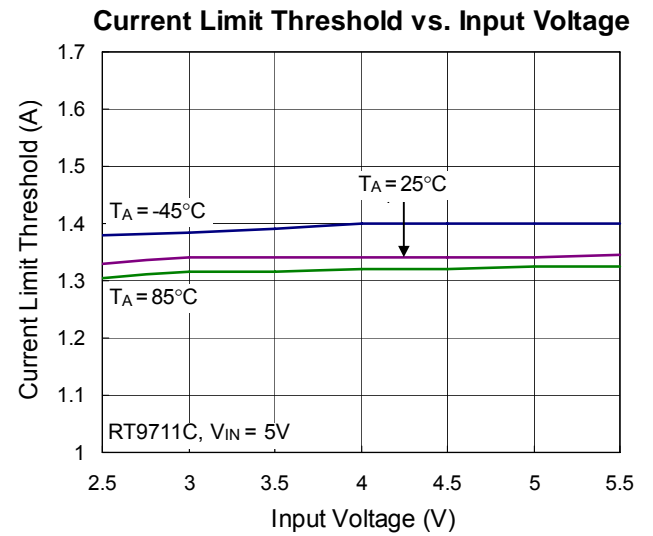
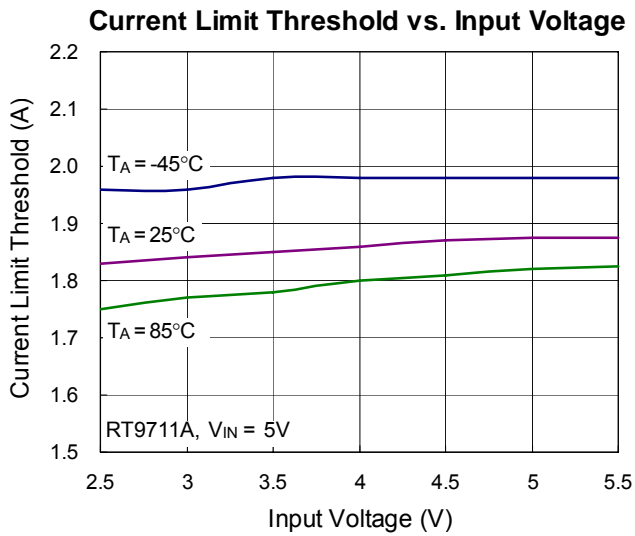
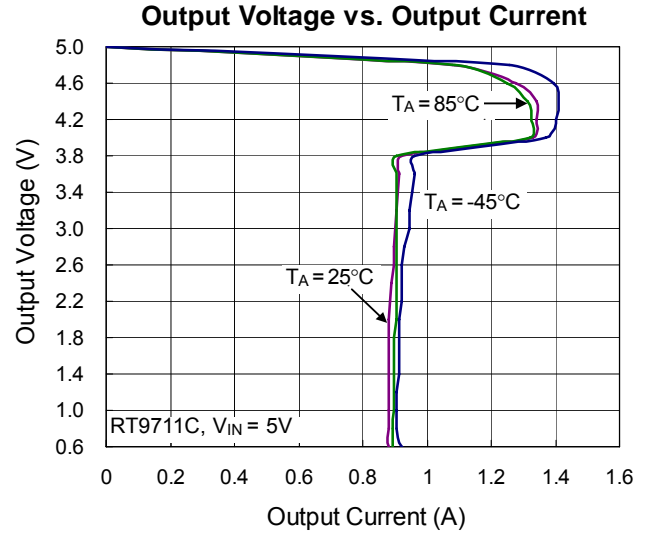
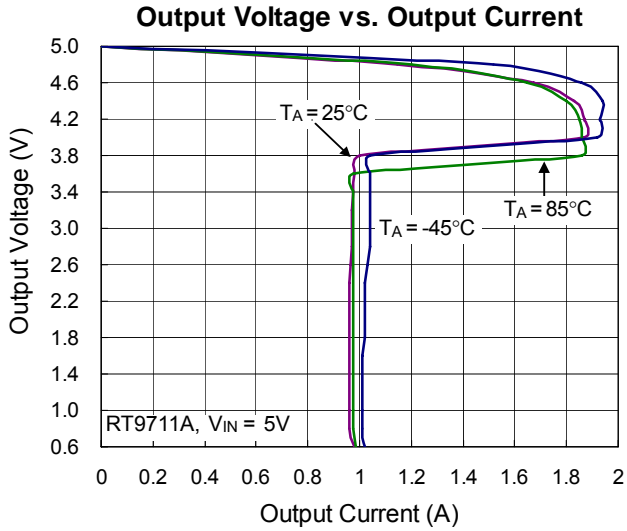


## Flag Response during Short Circuit



## Flag Response during Over Load





# RT9711A/B/C/D



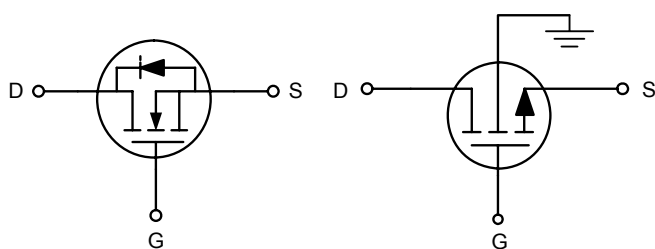
## Applications Information

The RT9711A/B/C/D are single N-MOSFET high-side power switches with enable input, optimized for self-powered and bus-powered Universal Serial Bus (USB) applications. The RT9711 series are equipped with a charge pump circuitry to drive the internal N-MOSFET switch; the switch's low  $R_{DS(ON)}$ , 80mΩ, meets USB voltage drop requirements; and a flag output is available to indicate fault conditions to the local USB controller.

### Input and Output

$V_{IN}$  (input) is the power source connection to the internal circuitry and the drain of the MOSFET.  $V_{OUT}$  (output) is the source of the MOSFET. In a typical application, current flows through the switch from  $V_{IN}$  to  $V_{OUT}$  toward the load. If  $V_{OUT}$  is greater than  $V_{IN}$ , current will flow from  $V_{OUT}$  to  $V_{IN}$  since the MOSFET is bidirectional when on.

Unlike a normal MOSFET, there is no a parasitic body diode between drain and source of the MOSFET, the RT9711A/B/C/D prevents reverse current flow if  $V_{OUT}$  being externally forced to a higher voltage than  $V_{IN}$  when the output disabled ( $V_{EN} < 0.8V$  or  $V_{\overline{EN}} > 2V$ ).



Normal MOSFET

RT9711A/B/C/D

### Chip Enable Input

The switch will be disabled when the  $\overline{EN/EN}$  pin is in a logic low/high condition. During this condition, the internal circuitry and MOSFET are turned off, reducing the supply current to 0.1μA typical. Floating the  $\overline{EN/EN}$  may cause unpredictable operation.  $\overline{EN}$  should not be allowed to go negative with respect to GND. The  $\overline{EN/EN}$  pin may be directly tied to  $V_{IN}$  (GND) to keep the part on.

### Soft Start for Hot Plug-In Applications

In order to eliminate the upstream voltage droop caused by the large inrush current during hot-plug events, the "soft-start" feature effectively isolates the power source from extremely large capacitive loads, satisfying the USB voltage droop requirements.

### Fault Flag

The RT9711 series provides a  $\overline{FLG}$  signal pin which is an N-Channel open drain MOSFET output. This open drain output goes low when  $V_{OUT} < V_{IN} - 1V$ , current limit or the die temperature exceeds 130°C approximately. The  $\overline{FLG}$  output is capable of sinking a 10mA load to typically 200mV above ground. The  $\overline{FLG}$  pin requires a pull-up resistor, this resistor should be large in value to reduce energy drain. A 100kΩ pull-up resistor works well for most applications. In the case of an over-current condition,  $\overline{FLG}$  will be asserted only after the flag response delay time,  $t_D$ , has elapsed. This ensures that  $\overline{FLG}$  is asserted only upon valid over-current conditions and that erroneous error reporting is eliminated.

For example, false over-current conditions may occur during hot-plug events when extremely large capacitive loads are connected and causes a high transient inrush current that exceeds the current limit threshold. The  $\overline{FLG}$  response delay time  $t_D$  is typically 10ms.

### Under-Voltage Lockout

Under-voltage lockout (UVLO) prevents the MOSFET switch from turning on until input voltage exceeds approximately 1.7V. If input voltage drops below approximately 1.3V, UVLO turns off the MOSFET switch,  $\overline{FLG}$  will be asserted accordingly. Under-voltage detection functions only when the switch is enabled.

### Current Limiting and Short-Circuit Protection

The current limit circuitry prevents damage to the MOSFET switch and the hub downstream port but can deliver load current up to the current limit threshold of typically 2.5A through the switch of RT9711A/B and 1A for RT9711C/D respectively. When a heavy load or short circuit is applied to an enabled switch, a large transient current may flow until the current limit circuitry responds. Once this current

**RICHTEK**

**RT9711A/B/C/D**

limit threshold is exceeded the device enters constant current mode until the thermal shutdown occurs or the fault is removed.

**Thermal Shutdown**

Thermal shutdown is employed to protect the device from damage if the die temperature exceeds approximately 130°C. If enabled, the switch automatically restarts when the die temperature falls 20°C. The output and FLG signal will continue to cycle on and off until the device is disabled or the fault is removed.

**Power Dissipation**

The junction temperature of the RT9711 series depend on several factors such as the load, PCB layout, ambient temperature and package type. The output pin of RT9711A/B/C/D can deliver the current of up to 1.5A (RT9711A/B), and 0.6A (RT9711C/D) respectively over the full operating junction temperature range. However, the maximum output current must be derated at higher ambient temperature to ensure the junction temperature does not exceed 100°C. With all possible conditions, the junction temperature must be within the range specified under operating conditions. Power dissipation can be calculated based on the output current and the R<sub>DS(ON)</sub> of switch as below.

$$P_D = R_{DS(ON)} \times I_{OUT}^2$$

Although the devices are rated for 1.5A and 0.6A of output current, but the application may limit the amount of output current based on the total power dissipation and the ambient temperature. The final operating junction temperature for any set of conditions can be estimated by the following thermal equation :

$$P_{D(MAX)} = (T_{J(MAX)} - T_A) / \theta_{JA}$$

Where T<sub>J(MAX)</sub> is the maximum operation junction temperature 125°C, T<sub>A</sub> is the ambient temperature and the  $\theta_{JA}$  is the junction to ambient thermal resistance.

The junction to ambient thermal resistance  $\theta_{JA}$  is layout dependent. For SOT-23-5 and TSOT-23-5 packages, the thermal resistance  $\theta_{JA}$  is 250°C/W on the standard JEDEC 51-3 single-layer thermal test board.

And for SOP-8 and MSOP-8 packages, the thermal resistance  $\theta_{JA}$  is 160°C/W. The maximum power dissipation at T<sub>A</sub> = 25°C can be calculated by following formula :

$$P_{D(MAX)} = (125^\circ\text{C} - 25^\circ\text{C}) / 250^\circ\text{C/W} = 0.4\text{W for SOT-23-5 and TSOT-23-5 packages}$$

$$P_{D(MAX)} = (125^\circ\text{C} - 25^\circ\text{C}) / 160^\circ\text{C/W} = 0.625\text{W for SOP-8 and MSOP-8 packages}$$

The maximum power dissipation depends on operating ambient temperature for fixed T<sub>J(MAX)</sub> and thermal resistance  $\theta_{JA}$ . For RT9711A/B/C/D packages, the Figure 1 of derating curves allows the designer to see the effect of rising ambient temperature on the maximum power allowed.

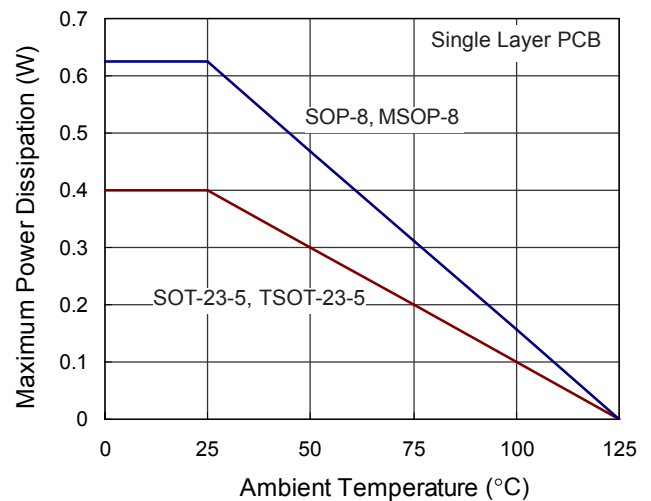


Figure 1. Derating Curves for RT9711A/B/C/D Package

**Universal Serial Bus (USB) & Power Distribution**

The goal of USB is to be enabled device from different vendors to interoperate in an open architecture. USB features include ease of use for the end user, a wide range of workloads and applications, robustness, synergy with the PC industry, and low-cost implementation. Benefits include self-identifying peripherals, dynamically attachable and reconfigurable peripherals, multiple connections (support for concurrent operation of many devices), support for as many as 127 physical devices, and compatibility with PC Plug-and-Play architecture.

The Universal Serial Bus connects USB devices with a USB host: each USB system has one USB host. USB devices are classified either as hubs, which provide

# RT9711A/B/C/D



additional attachment points to the USB, or as functions, which provide capabilities to the system (for example, a digital joystick). Hub devices are then classified as either Bus-Power Hubs or Self-Powered Hubs.

A Bus-Powered Hub draws all of the power to any internal functions and downstream ports from the USB connector power pins. The hub may draw up to 500mA from the upstream device. External ports in a Bus-Powered Hub can supply up to 100mA per port, with a maximum of four external ports.

Self-Powered Hub power for the internal functions and downstream ports does not come from the USB, although the USB interface may draw up to 100mA from its upstream connect, to allow the interface to function when the remainder of the hub is powered down. The hub must be able to supply up to 500mA on all of its external downstream ports. Please refer to Universal Serial Specification Revision 2.0 for more details on designing compliant USB hub and host systems.

Over-Current protection devices such as fuses and PTC resistors (also called polyfuse or polyswitch) have slow trip times, high on-resistance, and lack the necessary circuitry for USB-required fault reporting.

The faster trip time of the RT9711A/B/C/D power distribution allow designers to design hubs that can operate through faults. The RT9711A/B/C/D have low on-resistance and internal fault-reporting circuitry that help the designer to meet voltage regulation and fault notification requirements.

Because the devices are also power switches, the designer of self-powered hubs has the flexibility to turn off power to output ports. Unlike a normal MOSFET, the devices have controlled rise and fall times to provide the needed inrush current limiting required for the bus-powered hub power switch.

### Supply Filter/Bypass Capacitor

A 1 $\mu$ F low-ESR ceramic capacitor from  $V_{IN}$  to GND, located at the device is strongly recommended to prevent the input voltage drooping during hot-plug events. However, higher capacitor values will further reduce the voltage droop on the input. Furthermore, without the bypass capacitor, an output short may cause sufficient ringing on the input

(from source lead inductance) to destroy the internal control circuitry. The input transient must not exceed 6.5V of the absolute maximum supply voltage even for a short duration.

### Output Filter Capacitor

A low-ESR 150 $\mu$ F aluminum electrolytic or tantalum between  $V_{OUT}$  and GND is strongly recommended to meet the 330mV maximum droop requirement in the hub  $V_{BUS}$  (Per USB 2.0, output ports must have a minimum 120 $\mu$ F of low-ESR bulk capacitance per hub). Standard bypass methods should be used to minimize inductance and resistance between the bypass capacitor and the downstream connector to reduce EMI and decouple voltage droop caused when downstream cables are hot-insertion transients. Ferrite beads in series with  $V_{BUS}$ , the ground line and the 0.1 $\mu$ F bypass capacitors at the power connector pins are recommended for EMI and ESD protection. The bypass capacitor itself should have a low dissipation factor to allow decoupling at higher frequencies.

### Voltage Drop

The USB specification states a minimum port-output voltage in two locations on the bus, 4.75V out of a Self-Powered Hub port and 4.40V out of a Bus-Powered Hub port. As with the Self-Powered Hub, all resistive voltage drops for the Bus-Powered Hub must be accounted for to guarantee voltage regulation (see Figure 7-47 of Universal Serial Specification Revision 2.0 ).

The following calculation determines  $V_{OUT(MIN)}$  for multiple ports ( $N_{PORTS}$ ) ganged together through one switch (if using one switch per port,  $N_{PORTS}$  is equal to 1) :

$$V_{OUT(MIN)} = 4.75V - [ I_I \times ( 4 \times R_{CONN} + 2 \times R_{CABLE} ) ] - (0.1A \times N_{PORTS} \times R_{SWITCH} ) - V_{PCB}$$

Where

$R_{CONN}$  = Resistance of connector contacts  
(two contacts per connector)

$R_{CABLE}$  = Resistance of upstream cable wires  
(one 5V and one GND)

$R_{SWITCH}$  = Resistance of power switch  
(80m $\Omega$  typical for RT9711A/B/C/D)

$V_{PCB}$  = PCB voltage drop

The USB specification defines the maximum resistance per contact ( $R_{CONN}$ ) of the USB connector to be 30mΩ and the drop across the PCB and switch to be 100mV. This basically leaves two variables in the equation: the resistance of the switch and the resistance of the cable.

If the hub consumes the maximum current ( $I_1$ ) of 500mA, the maximum resistance of the cable is 90mΩ.

The resistance of the switch is defined as follows :

$$R_{SWITCH} = \{ 4.75V - 4.4V - [ 0.5A \times ( 4 \times 30m\Omega + 2 \times 90m\Omega ) ] - V_{PCB} \} \div ( 0.1A \times N_{PORTS} )$$

$$= (200mV - V_{PCB}) \div ( 0.1A \times N_{PORTS} )$$

If the voltage drop across the PCB is limited to 100mV, the maximum resistance for the switch is 250mΩ for four ports ganged together. The RT9711A/B/C/D, with its maximum 100mΩ on-resistance over temperature, easily meets this requirement.

### Layout Considerations

For best performance of the RT9711 series, the following guidelines must be strictly followed :

- ▶ Input and output capacitors should be placed close to the IC and connected to ground plane to reduce noise coupling.
- ▶ The GND should be connected to a strong ground plane for heat sink.
- ▶ Keep the main current traces as possible as short and wide.

The input and output capacitors should be placed as close as possible to the IC.

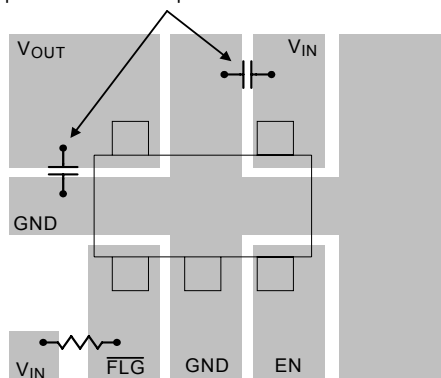
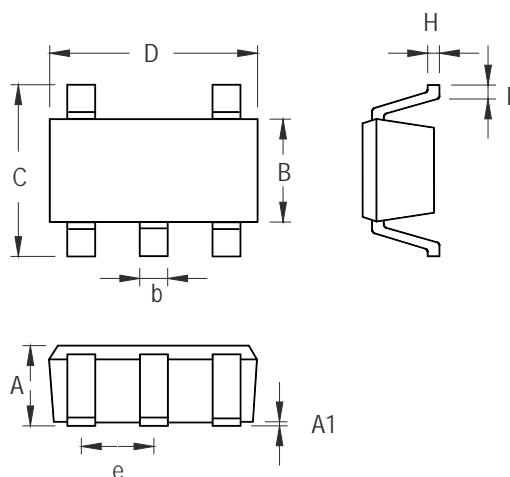


Figure 2. PCB Layout Guide

# RT9711A/B/C/D

**RICHTEK**

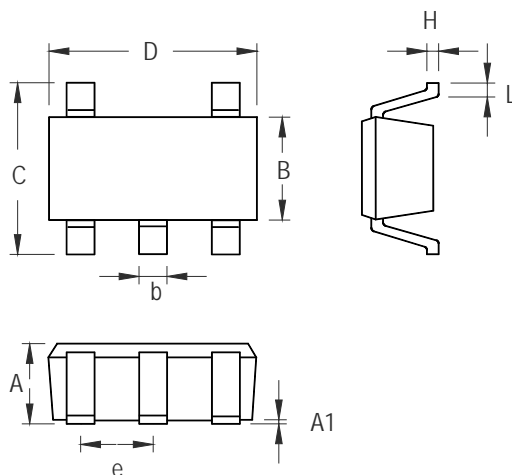
## Outline Dimension



| Symbol | Dimensions In Millimeters |       | Dimensions In Inches |       |
|--------|---------------------------|-------|----------------------|-------|
|        | Min                       | Max   | Min                  | Max   |
| A      | 0.889                     | 1.295 | 0.035                | 0.051 |
| A1     | 0.000                     | 0.152 | 0.000                | 0.006 |
| B      | 1.397                     | 1.803 | 0.055                | 0.071 |
| b      | 0.356                     | 0.559 | 0.014                | 0.022 |
| C      | 2.591                     | 2.997 | 0.102                | 0.118 |
| D      | 2.692                     | 3.099 | 0.106                | 0.122 |
| e      | 0.838                     | 1.041 | 0.033                | 0.041 |
| H      | 0.080                     | 0.254 | 0.003                | 0.010 |
| L      | 0.300                     | 0.610 | 0.012                | 0.024 |

**SOT-23-5 Surface Mount Package**





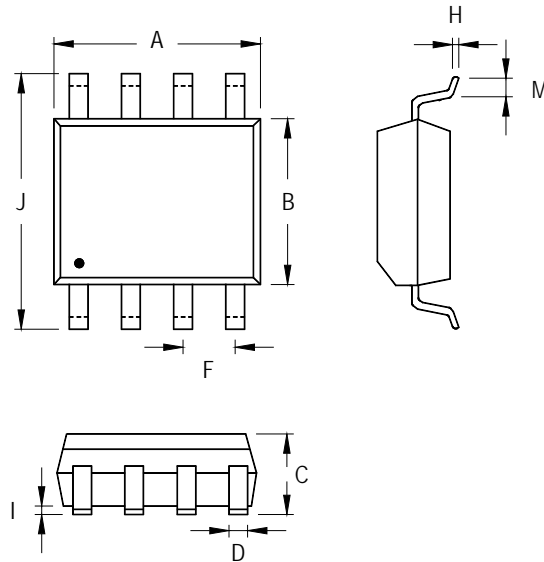
| Symbol | Dimensions In Millimeters |       | Dimensions In Inches |       |
|--------|---------------------------|-------|----------------------|-------|
|        | Min                       | Max   | Min                  | Max   |
| A      | 0.700                     | 1.000 | 0.028                | 0.039 |
| A1     | 0.000                     | 0.100 | 0.000                | 0.004 |
| B      | 1.397                     | 1.803 | 0.055                | 0.071 |
| b      | 0.300                     | 0.559 | 0.012                | 0.022 |
| C      | 2.591                     | 3.000 | 0.102                | 0.118 |
| D      | 2.692                     | 3.099 | 0.106                | 0.122 |
| e      | 0.838                     | 1.041 | 0.033                | 0.041 |
| H      | 0.080                     | 0.254 | 0.003                | 0.010 |
| L      | 0.300                     | 0.610 | 0.012                | 0.024 |

**TSOT-23-5 Surface Mount Package**



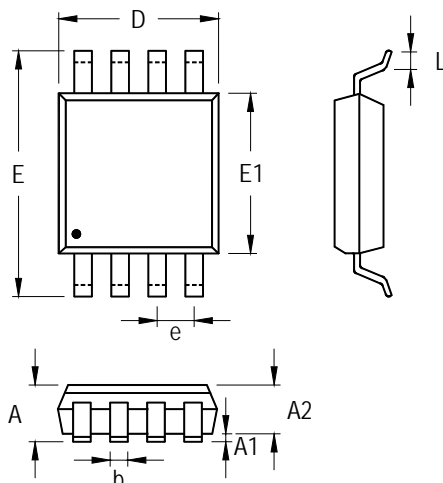
# RT9711A/B/C/D

**RICHTEK**



| Symbol | Dimensions In Millimeters |       | Dimensions In Inches |       |
|--------|---------------------------|-------|----------------------|-------|
|        | Min                       | Max   | Min                  | Max   |
| A      | 4.801                     | 5.004 | 0.189                | 0.197 |
| B      | 3.810                     | 3.988 | 0.150                | 0.157 |
| C      | 1.346                     | 1.753 | 0.053                | 0.069 |
| D      | 0.330                     | 0.508 | 0.013                | 0.020 |
| F      | 1.194                     | 1.346 | 0.047                | 0.053 |
| H      | 0.170                     | 0.254 | 0.007                | 0.010 |
| I      | 0.050                     | 0.254 | 0.002                | 0.010 |
| J      | 5.791                     | 6.200 | 0.228                | 0.244 |
| M      | 0.400                     | 1.270 | 0.016                | 0.050 |

**8-Lead SOP Plastic Package**



| Symbol | Dimensions In Millimeters |       | Dimensions In Inches |       |
|--------|---------------------------|-------|----------------------|-------|
|        | Min                       | Max   | Min                  | Max   |
| A      | 0.810                     | 1.100 | 0.032                | 0.043 |
| A1     | 0.000                     | 0.150 | 0.000                | 0.006 |
| A2     | 0.750                     | 0.950 | 0.030                | 0.037 |
| b      | 0.220                     | 0.380 | 0.009                | 0.015 |
| D      | 2.900                     | 3.100 | 0.114                | 0.122 |
| e      | 0.650                     |       | 0.026                |       |
| E      | 4.800                     | 5.000 | 0.189                | 0.197 |
| E1     | 2.900                     | 3.100 | 0.114                | 0.122 |
| L      | 0.400                     | 0.800 | 0.016                | 0.031 |

**8-Lead MSOP Plastic Package**

**Richtek Technology Corporation**

Headquarter  
 5F, No. 20, Taiyuen Street, Chupei City  
 Hsinchu, Taiwan, R.O.C.  
 Tel: (8863)5526789 Fax: (8863)5526611

**Richtek Technology Corporation**

Taipei Office (Marketing)  
 5F, No. 95, Minchiuan Road, Hsintien City  
 Taipei County, Taiwan, R.O.C.  
 Tel: (8862)86672399 Fax: (8862)86672377  
 Email: marketing@richtek.com

Information that is provided by Richtek Technology Corporation is believed to be accurate and reliable. Richtek reserves the right to make any change in circuit design, specification or other related things if necessary without notice at any time. No third party intellectual property infringement of the applications should be guaranteed by users when integrating Richtek products into any application. No legal responsibility for any said applications is assumed by Richtek.