

Excellent Integrated System Limited

Stocking Distributor

Click to view price, real time Inventory, Delivery & Lifecycle Information:

[Phoenix Contact](#)
[1652211](#)

For any questions, you can email us directly:

sales@integrated-circuit.com



Extract from the online catalog




VS-25-SD

Order No.: 1652211

<http://eshop.phoenixcontact.de/phoenix/treeViewClick.do?UID=1652211>

D-SUB protective cover, shell size 3, IP54 degree of protection, for panel mounting frame and sleeve housing VS-25-...

Commercial data

GTIN (EAN)	 4 017918 917142
sales group	D500
Pack	5 pcs.
Customs tariff	85389099
Catalog page information	Page 327 (PC-2009)

Product notes

WEEE/RoHS-compliant since:
01/01/2003



<http://www.download.phoenixcontact.com>
 Please note that the data given here has been taken from the online catalog. For comprehensive information and data, please refer to the user documentation. The General Terms and Conditions of Use apply to Internet downloads.

Technical data

Mechanical characteristics

Insertion/withdrawal cycles	≥ 1000
Color	gray
Ambient temperature (operation)	-40 °C ... 80 °C

Material data

Inflammability class acc. to UL 94	V0
Housing material	PA
Degree of protection	IP54

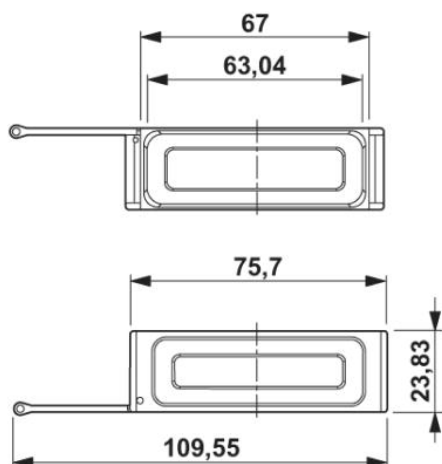
VS-25-SD Order No.: 1652211

<http://eshop.phoenixcontact.de/phoenix/treeViewClick.do?UID=1652211>

Diagrams/Drawings

Dimensioned drawing

Protective cover for D-SUB



VS-25-SD Order No.: 1652211

<http://eshop.phoenixcontact.de/phoenix/treeViewClick.do?UID=1652211>

Address

PHOENIX CONTACT Deutschland GmbH
Flachsmarktstr. 8
32825 Blomberg, Germany
Phone +49 5235 3 12000
Fax +49 5235 3 41200
<http://www.phoenixcontact.de>



© 2011 Phoenix Contact
Technical modifications reserved;