

Excellent Integrated System Limited

Stocking Distributor

Click to view price, real time Inventory, Delivery & Lifecycle Information:

[Phoenix Contact](#)
[1655247](#)

For any questions, you can email us directly:

sales@integrated-circuit.com



Extract from the online catalog

VS-25-BU-DSUB-HD-CD-B

Order No.: 1655247



<http://eshop.phoenixcontact.de/phoenix/treeViewClick.do?UID=1655247>

D-SUB contact carrier, shell size 3, for 44 signal contacts, contact type socket, for crimp contacts, straight, fixing with a 3 mm hole, for panel mounting frame and sleeve housing VS-25-...

Commercial data

GTIN (EAN)	 4 046356 029186
Note	Made-to-order
sales group	D501
Pack	10 pcs.
Customs tariff	85369010
Catalog page information	Page 321 (PC-2009)

Product notes

WEEE/RoHS-compliant since:
06/14/2006



<http://www.download.phoenixcontact.com>
Please note that the data given here has been taken from the online catalog. For comprehensive information and data, please refer to the user documentation. The General Terms and Conditions of Use apply to Internet downloads.

Technical data

Mechanical characteristics

Number of positions	44
Insertion/withdrawal cycles	≥ 500
Type of connection	Crimp connection
Ambient temperature (operation)	-55 °C ... 125 °C

Material data

Inflammability class acc. to UL 94	V0
Housing material	Steel, yellow chromated

VS-25-BU-DSUB-HD-CD-B Order No.: 1655247
<http://eshop.phoenixcontact.de/phoenix/treeViewClick.do?UID=1655247>

Contact carrier material	Polyester GF
--------------------------	--------------

Electrical characteristics

Rated voltage (III/3)	60 V
Rated surge voltage	1 kV
Rated current	3 A

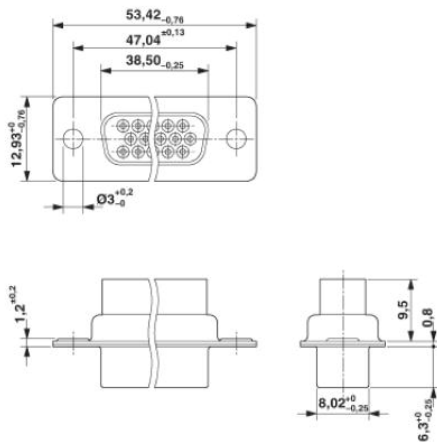
Accessories

Item	Designation	Description
Contacts		
1655263	VS-BU-CD-HD-1,0/13,5/0,37	Crimp contact, for D-SUB contact inserts with high density, socket, connection cross section AWG 22, turned, gold-plated

Diagrams/Drawings

Dimensioned drawing

D-SUB contact carrier



VS-25-BU-DSUB-HD-CD-B Order No.: 1655247

<http://eshop.phoenixcontact.de/phoenix/treeViewClick.do?UID=1655247>

Address

PHOENIX CONTACT Deutschland GmbH
Flachsmarktstr. 8
32825 Blomberg, Germany
Phone +49 5235 3 12000
Fax +49 5235 3 41200
<http://www.phoenixcontact.de>



© 2011 Phoenix Contact
Technical modifications reserved;