

Excellent Integrated System Limited

Stocking Distributor

Click to view price, real time Inventory, Delivery & Lifecycle Information:

[Phoenix Contact](#)
[2817042](#)

For any questions, you can email us directly:

sales@integrated-circuit.com



Extract from the online catalog

UFBK-M 2-PE- 24AC-ST

Discontinued item


Order No.: 2817042



<http://eshop.phoenixcontact.de/phoenix/treeViewClick.do?UID=2817042>

Protective plug UFBK-M with two conductor protection in floating signal circuits. Nominal voltage: 24 V AC

Commercial data

GTIN (EAN)	 4 017918 129811
Note	Made-to-order
sales group	J221
Pack	10 pcs.
Customs tariff	85363010

Product notes

WEEE/RoHS-compliant since:
07/14/2006



<http://www.download.phoenixcontact.com>
Please note that the data given here has been taken from the online catalog. For comprehensive information and data, please refer to the user documentation. The General Terms and Conditions of Use apply to Internet downloads.

Certificates / Approvals



Certification

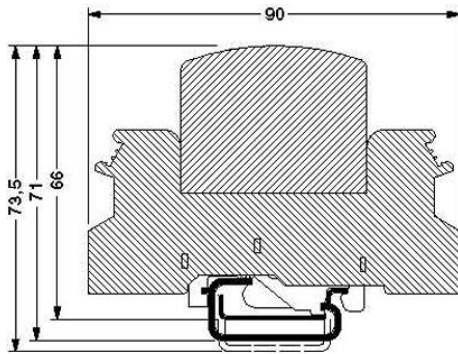
GOST

UFBK-M 2-PE- 24AC-ST Order No.: 2817042

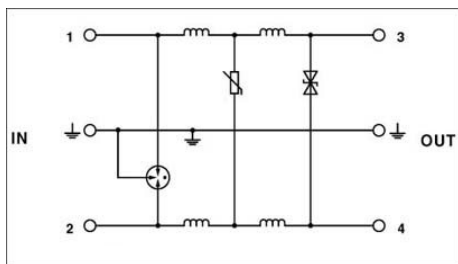
<http://eshop.phoenixcontact.de/phoenix/treeViewClick.do?UID=2817042>

Diagrams/Drawings

Dimensioned drawing



Circuit diagram



UFBK-M 2-PE- 24AC-ST Order No.: 2817042

<http://eshop.phoenixcontact.de/phoenix/treeViewClick.do?UID=2817042>

Address

PHOENIX CONTACT Deutschland GmbH
Flachsmarktstr. 8
32825 Blomberg, Germany
Phone +49 5235 3 12000
Fax +49 5235 3 41200
<http://www.phoenixcontact.de>



© 2011 Phoenix Contact
Technical modifications reserved;