

Excellent Integrated System Limited

Stocking Distributor

Click to view price, real time Inventory, Delivery & Lifecycle Information:

[Phoenix Contact](#)
[2959735](#)

For any questions, you can email us directly:

sales@integrated-circuit.com



Extract from the online catalog


UM108-SEFE/L-A73

Order No.: 2959735



<http://eshop.phoenixcontact.de/phoenix/treeViewClick.do?UID=2959735>

Side element, with foot, tall version, left-hand, for 73 mm wide U-shaped cover.

Commercial data	
GTIN (EAN)	 4 017918 107314
sales group	F104
Pack	10 pcs.
Customs tariff	85369010
Catalog page information	Page 607 (CC-2009)

Product notes

WEEE/RoHS-compliant since:
01/01/2003



<http://www.download.phoenixcontact.com>
 Please note that the data given here has been taken from the online catalog. For comprehensive information and data, please refer to the user documentation. The General Terms and Conditions of Use apply to Internet downloads.

Technical data	
General	
Housing type	Side cover
Housing material	PA
Color	green

UM108-SEFE/L-A73 Order No.: 2959735

<http://eshop.phoenixcontact.de/phoenix/treeViewClick.do?UID=2959735>

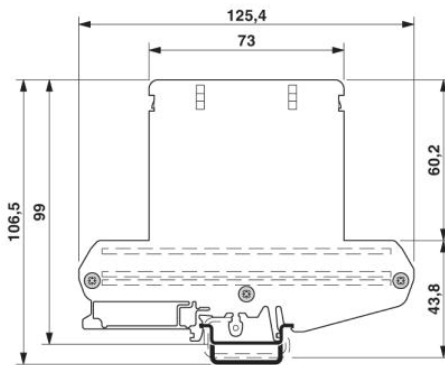
Technical data

Inflammability class acc. to UL 94

V0

Diagrams/Drawings

Dimensioned drawing



UM108-SEFE/L-A73 Order No.: 2959735

<http://eshop.phoenixcontact.de/phoenix/treeViewClick.do?UID=2959735>

Address

PHOENIX CONTACT Deutschland GmbH
Flachsmarktstr. 8
32825 Blomberg, Germany
Phone +49 5235 3 12000
Fax +49 5235 3 41200
<http://www.phoenixcontact.de>



© 2011 Phoenix Contact
Technical modifications reserved;