

## Excellent Integrated System Limited

Stocking Distributor

Click to view price, real time Inventory, Delivery & Lifecycle Information:

[Phoenix Contact](#)  
[1653935](#)

For any questions, you can email us directly:

[sales@integrated-circuit.com](mailto:sales@integrated-circuit.com)



Extract from the online catalog

## VS-04-2X2X26C7/7-SDA/SDB/2,0

Order No.: 1653935



<http://eshop.phoenixcontact.de/phoenix/treeViewClick.do?UID=1653935>

Assembled USB cable, shielded, color: RAL 5021 (water blue), PUR outer sheath, USB type A/standard on USB type B/standard, length: 2 m

Commercial data	
GTIN (EAN)	 4 017918 970260
sales group	D532
Pack	1 pcs.
Customs tariff	85444290
Catalog page information	Page 311 (PC-2009)

### Product notes

WEEE/RoHS-compliant since:  
06/21/2006



<http://www.download.phoenixcontact.com>  
Please note that the data given here has been taken from the online catalog. For comprehensive information and data, please refer to the user documentation. The General Terms and Conditions of Use apply to Internet downloads.

## Technical data

Mechanical characteristics	
Number of positions	4
Shielded	Yes
Insertion/withdrawal cycles	≥ 500
External cable diameter	6.7 mm

VS-04-2X2X26C7/7-SDA/SDB/2,0 Order No.: 1653935

<http://eshop.phoenixcontact.de/phoenix/treeViewClick.do?UID=1653935>

Cable diameter	6.70 mm
Cable structure	2x2xAWG26/7 + 2xAWG20/19; S/FTP
Length of cable	2 m
Ambient temperature (operation)	-20 °C ... 60 °C (cable, fixed installation)
	0 °C ... 50 °C (cable, flexible installation)
	(Male connector / female connector)

**Material data**

Inflammability class acc. to UL 94	HB
Housing material	PA
Contact carrier material	PA 66
Contact material	CuSn
Contact surface material	Ni/Au
Cable gland material	Zinc die-cast, (nickel-plated)
Sealing material	NBR
Outer sheath, material	PUR
External sheath, color	water blue RAL 5021
Degree of protection	IP20

**Electrical characteristics**

Rated voltage (III/3)	125 V
Rated current	1 A
Transmission characteristics (category)	USB 2.0

**Line characteristics**

Cable type	FireWire
Conductor cross section	0.14 mm <sup>2</sup> (signal line)
	0.5 mm <sup>2</sup> (Power supply)
AWG signal line	26
Conductor structure signal line	7x 0.15 mm
AWG power supply	20
Conductor structure, voltage supply	19x 0.20 mm
Core diameter including insulation	1 mm (signal line)
External cable diameter	6.70 mm
Wire colors	White-blue, white-orange, gray, black
External sheath, color	water blue RAL 5021
Insulation resistance	5 GΩ*km

VS-04-2X2X26C7/7-SDA/SDB/2,0 Order No.: 1653935  
<http://eshop.phoenixcontact.de/phoenix/treeViewClick.do?UID=1653935>

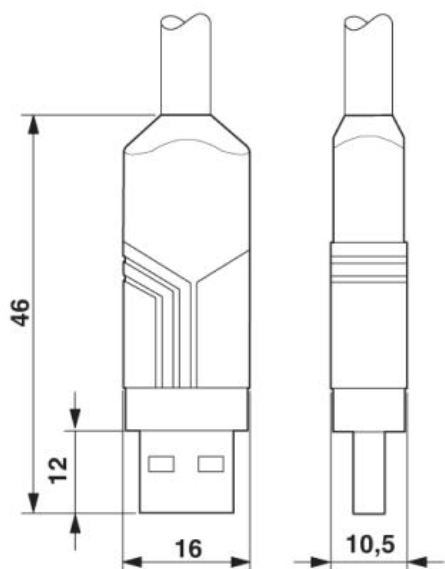
Conductor resistance	150 mΩ/m
Transmission characteristics (category)	CAT7, for USB 2.0 (480 Mbps)
Working capacitance	42 pF
Wave impedance	100 Ω ±5% (signal line)
Signal speed	0.72 c
Signal runtime	46 ns/m
Shield attenuation	60 dB (Up to 1000 MHz)
Interference suppression	90 dB (Up to 1000 MHz)
Nominal voltage, conductor	125 V
Test voltage, conductor	1000 V
Twisted pairs	2 cores to the pair
Type of pair shielding	Aluminum-lined polyester foil
Overall twist	Two pairs and two power supply wires to the core
Shielding	Braided shielding made of galvanized copper wires
Optical shield covering	65 %
Outer sheath, material	PUR
Material conductor insulation	Cell PE (signal line) PVC (Power supply)
Conductor material	Bare Cu litz wires
Cable weight	56 kg/km
Smallest bending radius, fixed installation	≥ 35 mm
Smallest bending radius, movable installation	≥ 35 mm
Ambient temperature (operation)	-20 °C ... 60 °C (cable, fixed installation) 0 °C ... 50 °C (cable, flexible installation)

VS-04-2X2X26C7/7-SDA/SDB/2,0 Order No.: 1653935

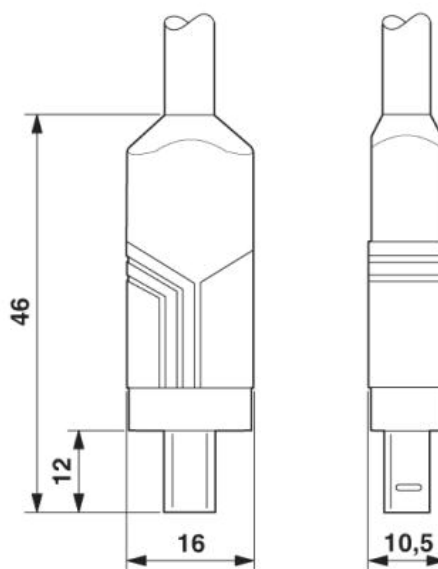
<http://eshop.phoenixcontact.de/phoenix/treeViewClick.do?UID=1653935>

**Diagrams/Drawings**

Dimensioned drawing

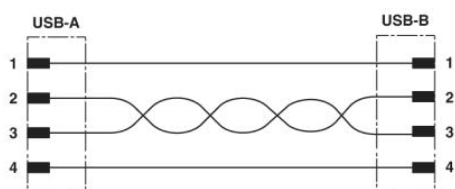


USB plug connector, type A, Standard



USB plug connector, type B, standard

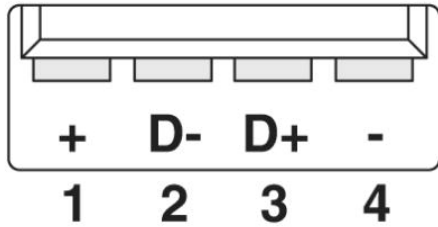
Circuit diagram



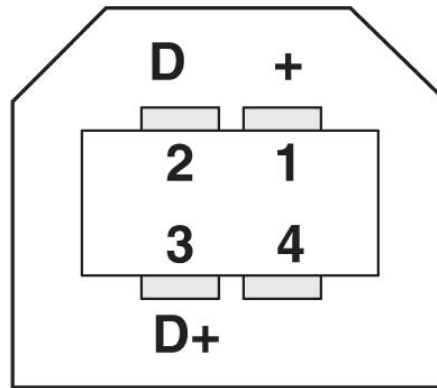
VS-04-2X2X26C7/7-SDA/SDB/2,0 Order No.: 1653935

<http://eshop.phoenixcontact.de/phoenix/treeViewClick.do?UID=1653935>

Schematic diagram



Pin assignment plug USB, type A



Connector pin assignment plug USB, type B

VS-04-2X2X26C7/7-SDA/SDB/2,0 Order No.: 1653935

<http://eshop.phoenixcontact.de/phoenix/treeViewClick.do?UID=1653935>

---

#### Address

PHOENIX CONTACT Deutschland GmbH  
Flachsmarktstr. 8  
32825 Blomberg, Germany  
Phone +49 5235 3 12000  
Fax +49 5235 3 41200  
<http://www.phoenixcontact.de>



© 2011 Phoenix Contact  
Technical modifications reserved;