

Excellent Integrated System Limited

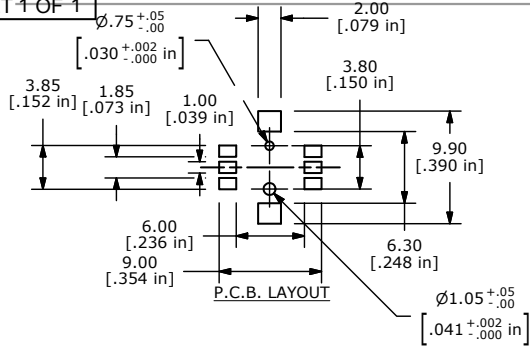
Stocking Distributor

Click to view price, real time Inventory, Delivery & Lifecycle Information:

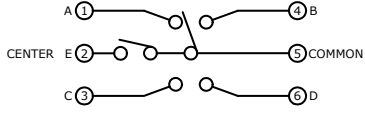
[E-Switch](#)
[JS1400BVQ](#)

For any questions, you can email us directly:
sales@integrated-circuit.com

SHEET 1 OF 1

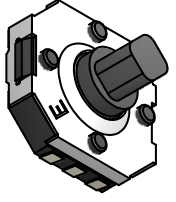
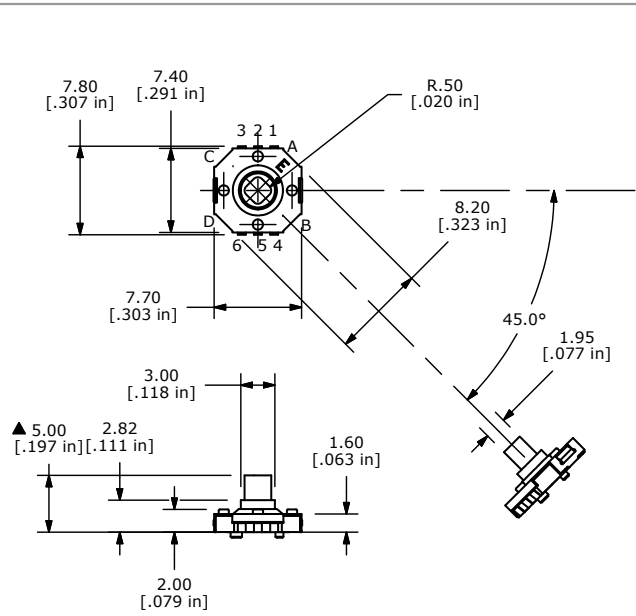


P.C.B. LAYOUT



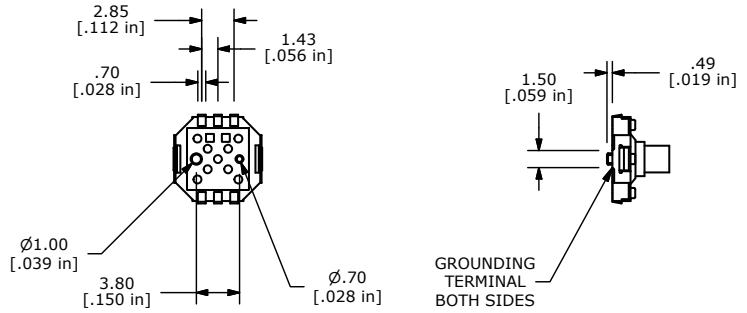
▲ CIRCUIT DIAGRAM

OPERATING POSITION	CIRCUIT
A	⑤-①
B	⑤-④
C	⑤-③
D	⑤-②
CENTER PUSH	⑤-②



NOTES:

1. RATING: 12V DC 50mA MAX.
2. CONTACT RESISTANCE: 100 milli OHMS MAX.
3. OPERATING FORCES:
 CENTER PUSH: 360 ± 60gf
 STROKE: 0.25 +0.1/-0.2 mm
 4-WAY DIRECTION: 160 ± 50gf
 TRAVEL: 5° +2.5°/-1°
4. LIFE CYCLES: 100,000
5. INSULATION RESISTANCE 100M OHMS@100VDC
6. DIELECTRIC STRENGTH: 250VAC FOR 1 MINUTE.
7. OPERATING TEMPERATURE: -25°C TO +70°C
8. STORAGE TEMPERATURE: -40°C TO +85°C
9. GENERAL TOLERANCE: ± 0.3
10. 2002/95/EC (ROHS) COMPLIANT
11. ▲ DENOTES CRITICAL PARAMETER.



C	20391	CORRECT CIRCUIT DIAGRAM	01/09/12	BMA
B	19637	DRAWING UPDATES	02/07/11	BMA
A	18745	New Release	12/7/09	rc
REV	PCR NO	DESCRIPTION	DATE	BY



TITLE JS1400BVQ

SCALE 2=1

DATE 12/7/2009

DR rc

DWG N211127

REV C

THE INFORMATION CONTAINED IN THIS DOCUMENT IS PROPRIETARY TO E-SWITCH AND IS NOT TO BE COPIED OR TRANSFERRED