

Excellent Integrated System Limited

Stocking Distributor

Click to view price, real time Inventory, Delivery & Lifecycle Information:

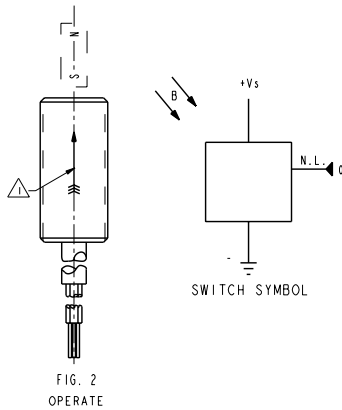
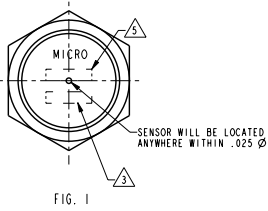
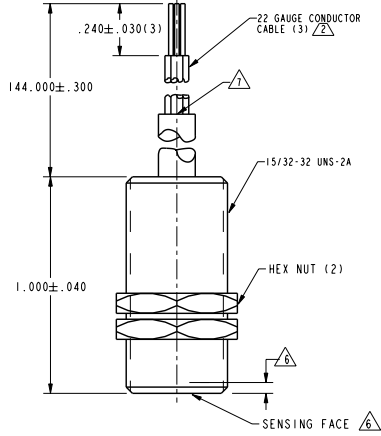
[Honeywell Sensing and Productivity Solutions](#)
[103SR12A-7](#)

For any questions, you can email us directly:

sales@integrated-circuit.com

6 TO 24 VDC UNIPOLAR SOURCING DEVICE

103SR12A-7



OPERATING CHARACTERISTICS

GAUSS	
OPERATE MAX	495
RELEASE MIN	120
DIFF MIN	40

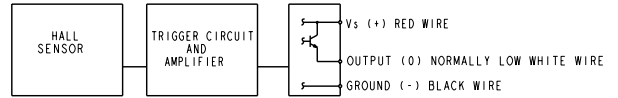
ABSOLUTE MAXIMUM RATINGS

SUPPLY VOLTAGE (Vs)	-1.2 VDC +24.0 VDC
VOLTAGE EXTERNALLY APPLIED TO OUTPUT	+6.5 VOLTS DC MAX WITH SWITCH IN "OFF" CONDITION ONLY (Vs+4) VOLTS MAX WITH SWITCH IN "ON" CONDITION
OUTPUT CURRENT	40 mA (SOURCE PER OUTPUT)
TEMPERATURE OPERATE AND STORAGE	-40° C TO 100° C
MAGNETIC FLUX	NO LIMIT. THE CIRCUIT CANNOT BE DAMAGED BY MAGNETIC OVERDRIVE

ELECTRICAL CHARACTERISTICS

	MIN	TYP	MAX	REMARKS
SUPPLY CURRENT (I _s)		3mA 5mA	6.5mA 10.0mA	Vs=6V OFF CONDITION Vs=16V
OUTPUT VOLTAGE (OPERATED)	Vs-2V	Vs-1.5V		SOURCING 20 mA PER OUTPUT
OUTPUT LEAKAGE CURRENT (RELEASED)			20µA	LEAKAGE INTO SWITCH OUTPUT
OUTPUT SWITCHING TIME (SOURCING 20 mA)				
RISE TIME		0.2µ SEC	1.5µ SEC	10% TO 90%
FALL TIME		0.1µ SEC	0.5µ SEC	90% TO 10%

NOTE: THIS DEVICE IS NOT PROTECTED AGAINST HIGH ELECTRICAL NOISE. IF ERRATIC OPERATION OCCURS AFTER INSTALLATION, INSTALL A CAPACITOR ACROSS THE INPUT TERMINALS (0.1 MFD). IF ERRATIC OPERATION CONTINUES, YOU MAY HAVE TO USE THE INDUSTRIAL DEVICES THAT MICRO SWITCH MANUFACTURES. PLEASE CONTACT YOUR LOCAL FIELD REPRESENTATIVE FOR INFORMATION.



BLOCK DIAGRAM SHOWING CURRENT SOURCING OUTPUTS

- NOTES
- △ FLUX ENTERING THE SOUTH POLE OF THE MAGNET WILL OPERATE THE SENSOR WHEN MAGNET IS POSITIONED AS SHOWN IN FIGURE 2. THIS ASSUMES THE CONVENTION THAT THE DIRECTION OF THE EXTERNAL FLUX OF A MAGNET IS FROM THE NORTH TO THE SOUTH POLE OF THE MAGNET
 - △ 22 GAUGE PVC INSULATED CONDUCTORS WITH A MOLDED PVC JACKET
 - △ DATE CODE LOCATED IN THIS AREA
 - △ FROM -40°C TO 100°C AND 6 TO 24 VOLTS
 - △ CATALOG LISTING LOCATED IN THIS AREA
 - △ SENSITIVE AREA IS LOCATED .050 BEHIND THE SENSING FACE
 - △ JACKET IS CUT BACK 1.375 INCHES FROM FREE END OF LEADS
 - △ Vs IS THE UNREGULATED SUPPLY VOLTAGE

THIRD ANGLE PROJECTION
SCALE 3 : 1
DO NOT SCALE PRINT
UNLESS OTHERWISE SPECIFIED TOLERANCES ARE
ONE PLACE (.0) ±.030
TWO PLACES (.00) ±.015
THREE PLACES (.000) ±.005
ANGLES °
WEIGHT

THIS DRAWING COVERS A PROPRIETARY ITEM AND IS THE PROPERTY OF MICRO SWITCH, A DIVISION OF HONEYWELL. THIS DRAWING IS NOT TO BE COPIED OR USED WITHOUT THE APPROVAL OF MICRO SWITCH.

MAGNETICALLY OPERATED CYLINDRICAL HALL SWITCH

CATALOG LISTING **103SR12A-7**

MICRO SWITCH
a Honeywell Division

FED. MFG. CODE 91929

ANSI Y14.5M-1982 APPLIES

103SR12A-7
 REV. 1 OF 1
 DATE 08-14-82
 DESIGNED BY
 DRAWN BY
 CHECKED BY
 APPROVED BY
 P.T.C./CAD 70
 D.L.T. 130 MAY 02 3:45 PM '02
 5