



Excellent Integrated System Limited

Stocking Distributor

Click to view price, real time Inventory, Delivery & Lifecycle Information:

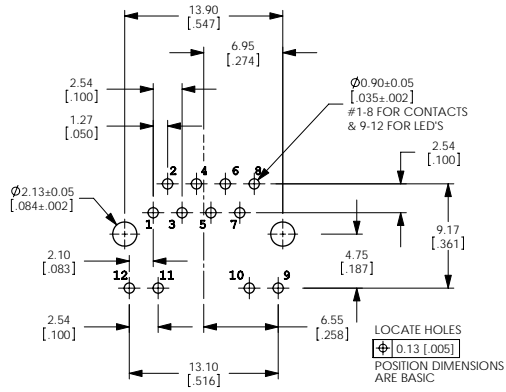
[Amphenol Commercial Products](#)

[MRJ-5480-01](#)

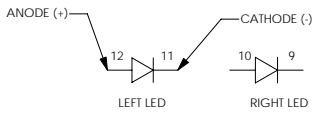
For any questions, you can email us directly:

sales@integrated-circuit.com

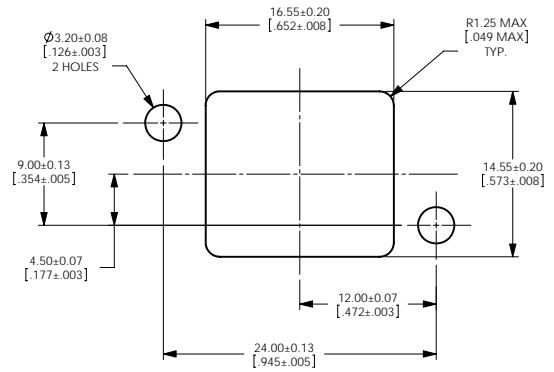
REVISIONS			
REV	ECN, ERN NO.	DATE	APPRD.
B	PRODUCT DRAWING (EAR 13276)	JUN06/08	K.L.



RECOMMENDED P.C.B. LAYOUT
(COMPONENT SIDE OF BOARD)



LED SCHEMATIC
(GREEN OR YELLOW)



RECOMMENDED PANEL CUTOUT
(FRONT OF PANEL)



PROPRIETARY AND CONFIDENTIAL
 THIS DOCUMENT CONTAINS
 PROPRIETARY INFORMATION AND SUCH
 INFORMATION MAY NOT BE DISCLOSED
 TO OTHERS FOR ANY PURPOSES EXCEPT
 FOR MANUFACTURING PURPOSES
 WITHOUT WRITTEN PERMISSION FROM
 AMPHENOL CANADA CORP.

UNLESS OTHERWISE SPECIFIED:		DATE	Amphenol Canada Corp.
DIMENSIONS ARE IN MILLIMETERS		DESIGNED: A. DODDSON/08/14/05	
TOLERANCES		CHECKED: K. LAURIE/08/14/05	TITLE: MRJ SERIES RUGGED MODULAR JACK, 8 POSITION, VERTICAL, LED OPTIONS, FRONT PANEL MOUNT, RoHS COMPLIANT
FUNCTIONAL & ANALOGUE MACHES: BEND ±		DWG. APPRD: []	
FRONT PANEL DECIMAL: ±		ENG. REL. NO. EAR 13130	SIZE: C
THREE PLACE DECIMAL: ±		CODE ID. NO.	REV: B
INTERNET GEOMETRIC DIMENSIONING PER:		SCALE: 4:1	WEIGHT:
DATE:		SHEET 2 OF 2	
NEXT ASSY	USED ON		
APPLICATION	DO NOT SCALE DRAWING		