

## Excellent Integrated System Limited

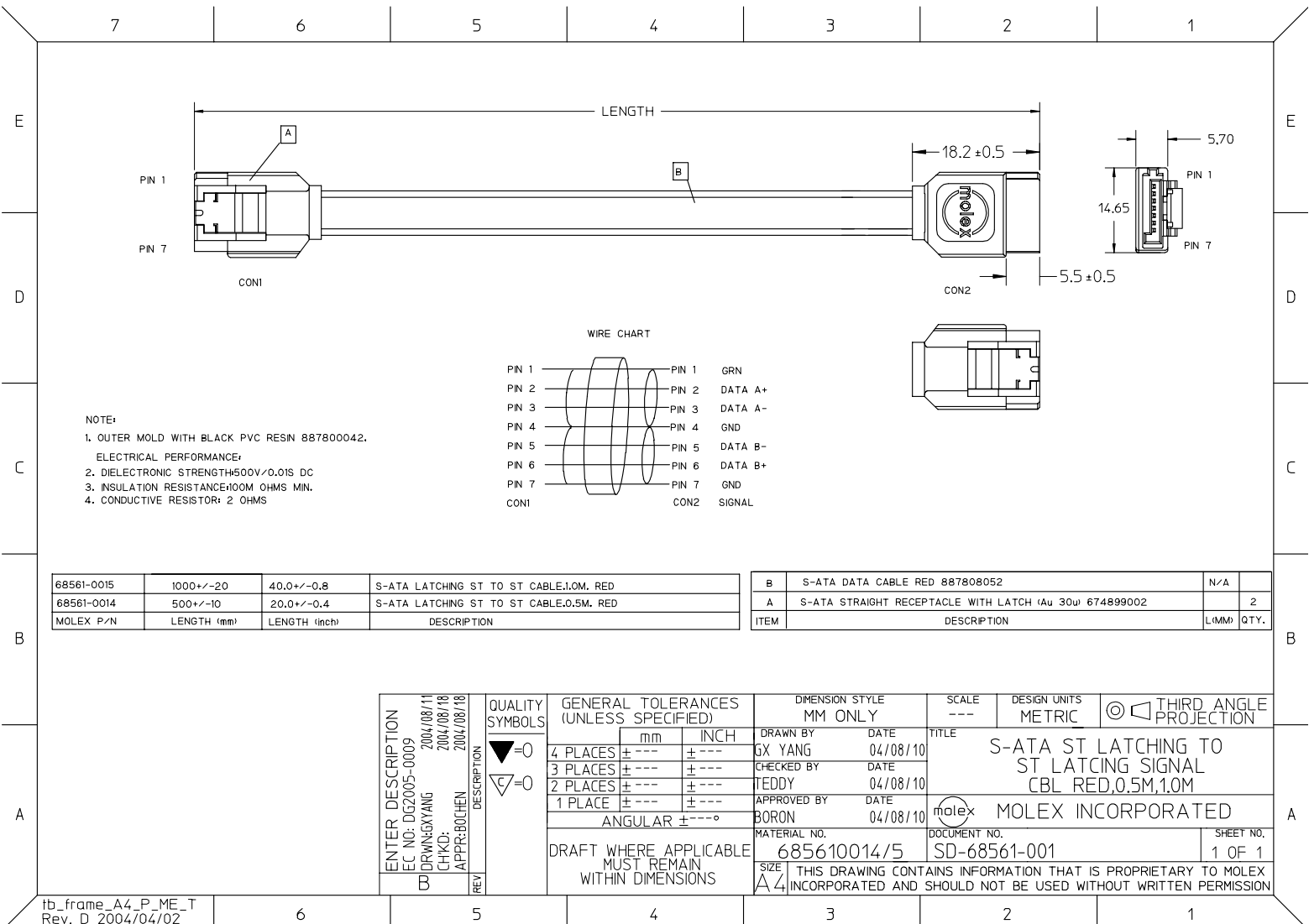
Stocking Distributor

Click to view price, real time Inventory, Delivery & Lifecycle Information:

[Molex Connector Corporation](#)  
[0685610015](#)

For any questions, you can email us directly:

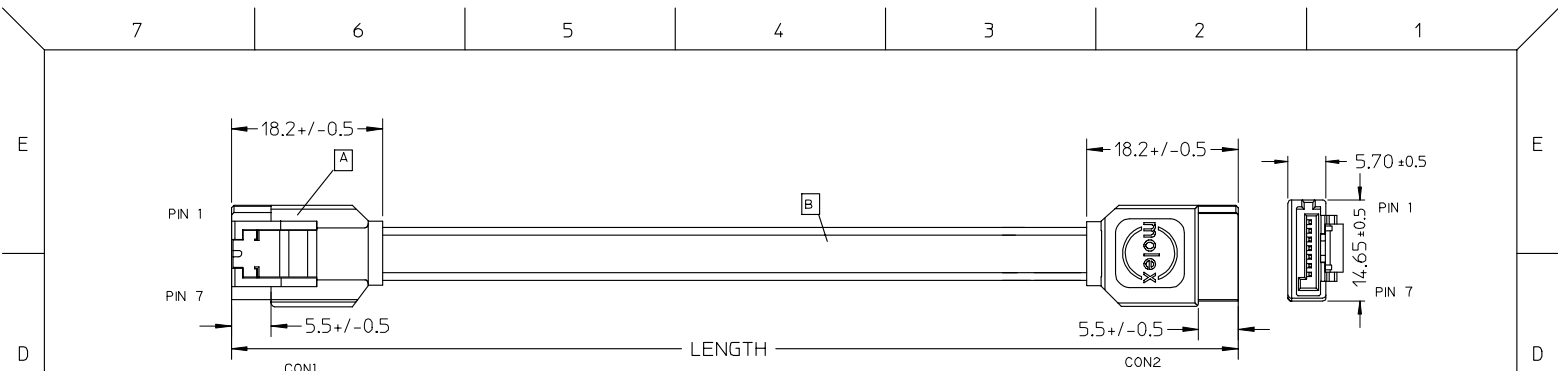
[sales@integrated-circuit.com](mailto:sales@integrated-circuit.com)



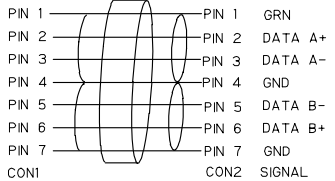
68561-0015	1000±20	40.0±0.8	S-ATA LATCHING ST TO ST CABLE,1.0M, RED
68561-0014	500±10	20.0±0.4	S-ATA LATCHING ST TO ST CABLE,0.5M, RED
MOLEX P/N	LENGTH (mm)	LENGTH (inch)	DESCRIPTION

B	S-ATA DATA CABLE RED 887808052	N/A	
A	S-ATA STRAIGHT RECEPTACLE WITH LATCH (Au 30μ) 674899002		2
ITEM	DESCRIPTION	L (MM)	QTY.

ENTER DESCRIPTION EC NO: DG2005-009 DRAWING YANG 2004/08/11 CHKD: 2004/08/18 APPR: BOCHEN 2004/08/18 REV	QUALITY SYMBOLS	GENERAL TOLERANCES (UNLESS SPECIFIED)	DIMENSION STYLE	SCALE	DESIGN UNITS	THIRD ANGLE PROJECTION
	▽=0	mm INCH	MM ONLY	---	METRIC	
	▽=0	4 PLACES ± --- ± ---	DRAWN BY DATE	TITLE	S-ATA ST LATCHING TO ST LATCHING SIGNAL CBL RED,0.5M,1.0M	
		3 PLACES ± --- ± ---	CHECKED BY DATE	MOLEX INCORPORATED		
	2 PLACES ± --- ± ---	APPROVED BY DATE	MATERIAL NO.	DOCUMENT NO.	SHEET NO.	
	1 PLACE ± --- ± ---	ANGULAR ± ---°	685610014/5	SD-68561-001	1 OF 1	
	DRAFT WHERE APPLICABLE MUST REMAIN WITHIN DIMENSIONS		THIS DRAWING CONTAINS INFORMATION THAT IS PROPRIETARY TO MOLEX INCORPORATED AND SHOULD NOT BE USED WITHOUT WRITTEN PERMISSION			



WIRE CHART



NOTE:  
1. OUTER MOLD WITH BLACK PVC RESIN 887800042.  
INNER MOLD WITH PE RESIN 887800008;  
ELECTRICAL PERFORMANCE:  
2. DIELECTRIC STRENGTH: 500V/0.01S DC.  
3. INSULATION RESISTANCE: 100M OHMS MIN.  
4. CONDUCTIVE RESISTOR: 2 OHMS.

68561-0015	1000+/-20	40.0+/-0.8	S-ATA LATCHING ST TO ST CABLE,1.0M, RED
68561-0014	500+/-10	20.0+/-0.4	S-ATA LATCHING ST TO ST CABLE,0.5M, RED
MOLEX P/N	LENGTH (mm)	LENGTH (inch)	DESCRIPTION

B	S-ATA DATA CABLE RED 887808052	
A	S-ATA STRAIGHT RECEPTACLE WITH LATCH (Au 30u) 674899002	2
ITEM	DESCRIPTION	QTY.

ENTER DESCRIPTION EC NO: DG2005-0125 DRAWN: JL IU13 CHKD: TEDDY APPR: TKAN 2005/04/04 2005/04/04 2005/04/04	QUALITY SYMBOLS ▽=0 ▽=0	GENERAL TOLERANCES (UNLESS SPECIFIED)		DIMENSION STYLE	SCALE	DESIGN UNITS	THIRD ANGLE PROJECTION	
				MM ONLY	---	METRIC		
		4 PLACES	± ---	± ---	DRAWN BY	DATE	TITLE	
		3 PLACES	± ---	± ---	JL IU13	2005/04/04	S-ATA ST TO ST WITH LATCH RED CABLE ASSY	
2 PLACES	± ---	± ---	CHECKED BY	DATE	MOLEX INCORPORATED MATERIAL NO. 685610015 DOCUMENT NO. SD-68561-0015 SHEET NO. 1 OF 1			
1 PLACE	± ---	± ---	TEDDY	2005/04/04				
ANGULAR ± --- °		APPROVED BY		DATE				
		BORON		2005/04/04				
DRAFT WHERE APPLICABLE MUST REMAIN WITHIN DIMENSIONS								