

## Excellent Integrated System Limited

Stocking Distributor

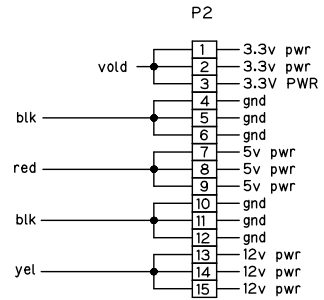
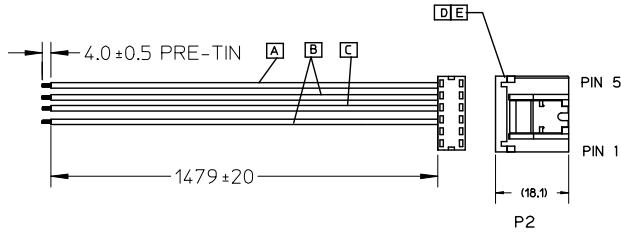
Click to view price, real time Inventory, Delivery & Lifecycle Information:

[Molex Connector Corporation](#)  
[0685610020](#)

For any questions, you can email us directly:

[sales@integrated-circuit.com](mailto:sales@integrated-circuit.com)

7 6 5 4 3 2 1



NOTE: 1. ELECTRIC PERFORMANCE: (オシロ ヲトフ)  
 DIELECTRIC STRENGTH: 500/0.01S V DC.(ス 絶縁ソカネオアチ00V/0.01テ)  
 INSULATION RESISTANCE :100M OHMS MIN.(セ オラ 絶ケラ 隔,100コラナキ)  
 CONDUCTIVE RESISTANCE:2 OHMS MAX.(オシフ 絶ケラ 隔,0ナキトキ)  
 2.S-ATA HOUSING:  
 POLYESTER(PBT), UL94V-0(BLACK)

68561-0021	679260002	30u' Gold - plated terminal
68561-0020	679260001	Gold flash terminal
MATERIAL NO	S-ATA CONNL.	DESCRIPTION

E	COVER 679261040	1	
D	S-ATA CONNL. + SEE TABLE	1	
C	UL1430 #18 RED 887714301	1	1485
B	UL1430 #18 BLK 887714300	2	2970
A	UL1430 #18 YEL 887714303	1	1485
ITEM	DESCRIPTION	QTY	L(mm)

ENTER DESCRIPTION EC NO: CFG2014-1666 DRWN: JXIA004 CHKD: GXYANG APPR: FNIE	DESCRIPTION 2013/12/04 2013/12/04	QUALITY SYMBOLS ▽=0 ▽=0	GENERAL TOLERANCES (UNLESS SPECIFIED)		DIMENSION STYLE MM ONLY		SCALE ---	DESIGN UNITS METRIC	THIRD ANGLE PROJECTION	
			mm	INCH	DRAWN BY GXYANG	DATE 04/08/10	TITLE S-ATA IDT POWER LATCHING TO PIGTAIL CABLE ASSEMBLY 1.5M (5V+12V)			
			4 PLACES ± ---	± ---	CHECKED BY TEDDY	DATE 04/08/10	MOLEX INCORPORATED			
			3 PLACES ± ---	± ---	APPROVED BY BORON	DATE 04/08/10	MATERIAL NO. 685610020/1			
2 PLACES ± ---	± ---	DRAFT WHERE APPLICABLE MUST REMAIN WITHIN DIMENSIONS		DOCUMENT NO. SD-68561-004		SHEET NO. 1 OF 1		THIS DRAWING CONTAINS INFORMATION THAT IS PROPRIETARY TO MOLEX INCORPORATED AND SHOULD NOT BE USED WITHOUT WRITTEN PERMISSION		
1 PLACE ± ---	± ---	ANGULAR ± --- °		SIZE A4						

6 5 4 3 2 1