

## Excellent Integrated System Limited

Stocking Distributor

Click to view price, real time Inventory, Delivery & Lifecycle Information:

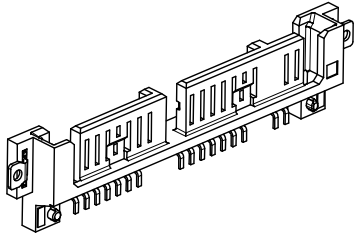
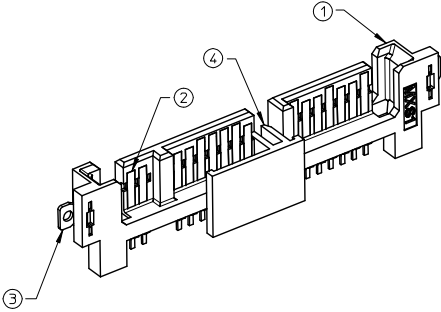
[Molex Connector Corporation](#)  
[0782850001](#)

For any questions, you can email us directly:

[sales@integrated-circuit.com](mailto:sales@integrated-circuit.com)

TABLE 2: PART NUMBER

PART NUMBER	CAP	PACKAGING
78285-0001	NO	TRAY
78285-0021	YES	TAPE & REEL



NO.	PART NAME	QTY.	MATERIAL
1	HOUSING	1	LIQUID CRYSTAL POLYMER (LCP), GLASS FILLED, UL 94V-0, COLOUR: BLACK.
2	TERMINAL	16	COPPER ALLOY
3	SOLDER TAB	2	COPPER ALLOY
4	CAP	1	NYLON 46, GLASS FILLED, COLOUR: BLACK.

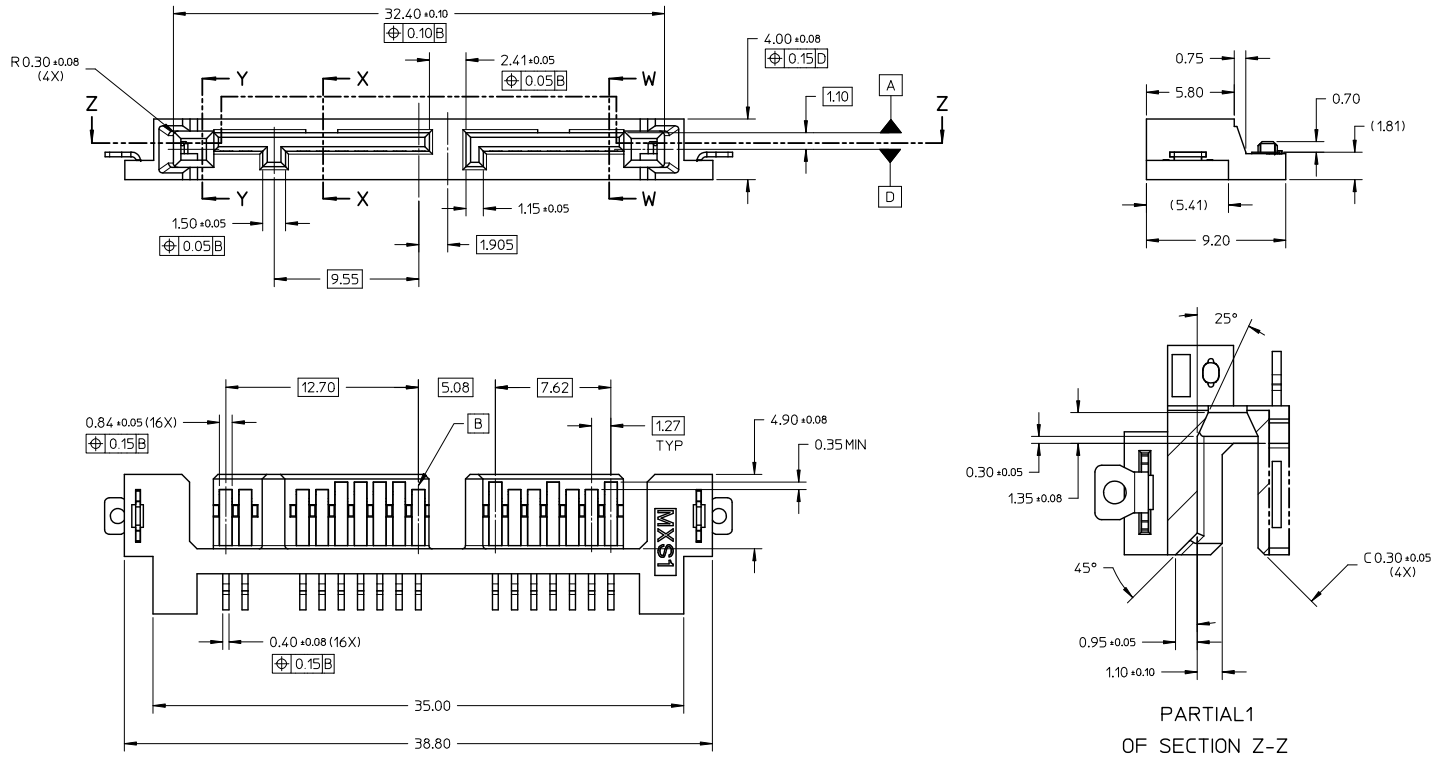
NOTES:

1. MATERIAL: REFER TO THE ABOVE PART LIST
2. PLATING SPECIFICATION: REFER TO TABLE 1
3. PRODUCT SPECIFICATION: PS-78285-002
4. PACKAGING SPECIFICATION: REFER TO TABLE 2
5. PRODUCT CONFORMS TO SERIAL ATA SPECIFICATION
6. PRODUCT IS COMPLIANT TO RoHS DIRECTIVE WITH THE FOLLOWING BANNED SUBSTANCES - LEAD, MERCURY, CADMIUM, HEXAVALENT CHROMIUM, POLYBROMINATED BIPHENYLS AND POLYBROMINATED DIPHENYLS ETHERS
7. NON FUNCTIONAL CORING MAY VARY FROM DRAWING

TABLE 1: PLATING SPECIFICATION

PART NAME	MATING AREA	SOLDER TAIL AREA	OTHER AREAS
TERMINAL	GOLD (0.76um MIN.)	GOLD FLASH (0.05um MIN.)	NICKEL PLATING
	OVER NICKEL (1.27um MIN.) UNDERPLATE		
SOLDER TAB	TIN (2.54um MIN.) OVER NICKEL (1.27um MIN.) UNDERPLATE		NICKEL PLATING

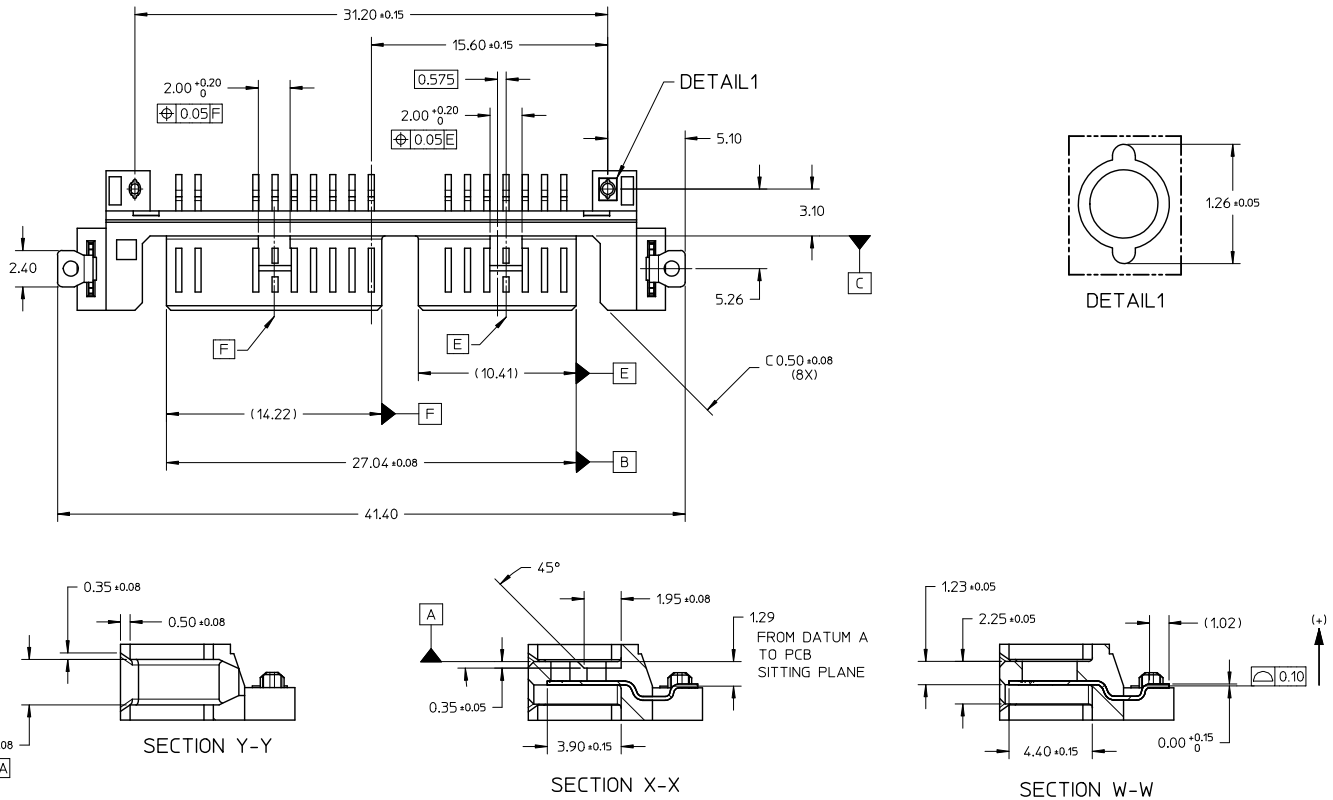
<b>ADD GATE LOCATION</b> EC NO: S2009-0894 DRAWN: JYONG CHKD: KILIM APPR: BUKOK	2009/06/01 2009/06/01 2009/06/02	QUALITY SYMBOLS ▽=0 ▽=0	GENERAL TOLERANCES (UNLESS SPECIFIED)		DIMENSION STYLE		SCALE	DESIGN UNITS	THIRD ANGLE PROJECTION
			mm	INCH	MM ONLY	NTS	METRIC		
			4 PLACES ± --- ± ---	3 PLACES ± --- ± ---	DRAWN BY	DATE	TITLE		
			2 PLACES ± 0.20 ± ---	1 PLACE ± --- ± ---	YKOH	2007/04/26	SERIAL ATA PLUG RIGHT ANGLE SMT FOR 1.8 INCH SSD		
ANGULAR ± 3 °		APPROVED BY		DATE	MOLEX INCORPORATED		DOCUMENT NO.		SHEET NO.
DRAFT WHERE APPLICABLE MUST REMAIN WITHIN DIMENSIONS		SEE TABLE		KCLING	2007/06/05	SD-78285-001	1 OF 5		
		SIZE		THIS DRAWING CONTAINS INFORMATION THAT IS PROPRIETARY TO MOLEX INCORPORATED AND SHOULD NOT BE USED WITHOUT WRITTEN PERMISSION					
A		A3							



PARTIAL1  
OF SECTION Z-Z

<b>ADD GATE LOCATION</b> EC NO: S2009-0894 DRAWN: JYONG CHKD: KLLM APPR: BKKK 2009/06/01 2009/06/02	<b>QUALITY SYMBOLS</b> ▽=0 ▽=0	<b>GENERAL TOLERANCES (UNLESS SPECIFIED)</b> <table border="1"> <thead> <tr> <th></th> <th>mm</th> <th>INCH</th> </tr> </thead> <tbody> <tr> <td>4 PLACES</td> <td>± ---</td> <td>± ---</td> </tr> <tr> <td>3 PLACES</td> <td>± ---</td> <td>± ---</td> </tr> <tr> <td>2 PLACES</td> <td>± 0.20</td> <td>± ---</td> </tr> <tr> <td>1 PLACE</td> <td>± ---</td> <td>± ---</td> </tr> <tr> <td colspan="3">ANGULAR ± 3°</td> </tr> </tbody> </table>		mm	INCH	4 PLACES	± ---	± ---	3 PLACES	± ---	± ---	2 PLACES	± 0.20	± ---	1 PLACE	± ---	± ---	ANGULAR ± 3°			<b>DIMENSION STYLE</b> MM ONLY	<b>SCALE</b> NTS	<b>DESIGN UNITS</b> METRIC	THIRD ANGLE PROJECTION
		mm	INCH																					
	4 PLACES	± ---	± ---																					
	3 PLACES	± ---	± ---																					
2 PLACES	± 0.20	± ---																						
1 PLACE	± ---	± ---																						
ANGULAR ± 3°																								
		DRAWN BY: YKOH CHECKED BY: CGTAN APPROVED BY: KCLING DATE: 2007/04/26 DATE: 2007/06/05 DATE: 2007/06/05	TITLE: SERIAL ATA PLUG RIGHT ANGLE SMT FOR 1.8 INCH SSD	<b>MOLEX INCORPORATED</b>																				
		MATERIAL NO.: SEE TABLE SIZE: A3	DOCUMENT NO.: SD-78285-001	SHEET NO.: 2 OF 5																				
		DRAFT WHERE APPLICABLE MUST REMAIN WITHIN DIMENSIONS THIS DRAWING CONTAINS INFORMATION THAT IS PROPRIETARY TO MOLEX INCORPORATED AND SHOULD NOT BE USED WITHOUT WRITTEN PERMISSION																						

10 9 8 7 6 5 4 3 2 1

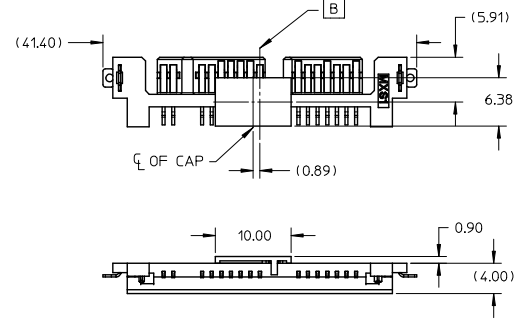
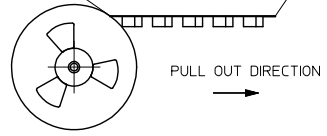
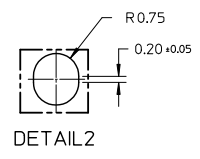
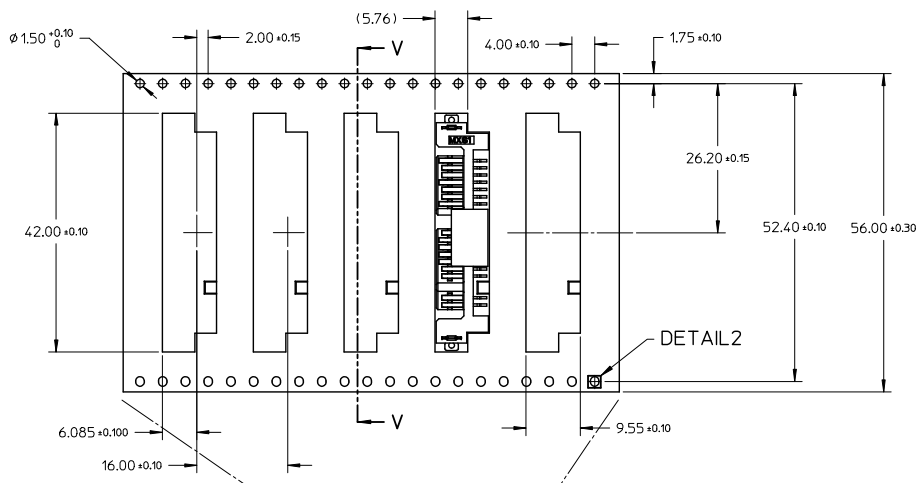
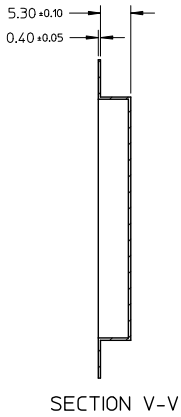


<b>ADD GATE LOCATION</b> EC NO: S2009-0894 DRAWN: JYONG 2009/06/07 CHK: KALIM 2009/06/07 APPR: BUKOK 2009/06/07	<b>QUALITY SYMBOLS</b> ▽=0 ▽=0	<b>GENERAL TOLERANCES (UNLESS SPECIFIED)</b> <table border="1"> <thead> <tr> <th></th> <th>mm</th> <th>INCH</th> </tr> </thead> <tbody> <tr> <td>4 PLACES</td> <td>± ---</td> <td>± ---</td> </tr> <tr> <td>3 PLACES</td> <td>± ---</td> <td>± ---</td> </tr> <tr> <td>2 PLACES</td> <td>± 0.20</td> <td>± ---</td> </tr> <tr> <td>1 PLACE</td> <td>± ---</td> <td>± ---</td> </tr> <tr> <td colspan="3">ANGULAR ± 3 °</td> </tr> </tbody> </table>		mm	INCH	4 PLACES	± ---	± ---	3 PLACES	± ---	± ---	2 PLACES	± 0.20	± ---	1 PLACE	± ---	± ---	ANGULAR ± 3 °			<b>DIMENSION STYLE</b> MM ONLY	<b>SCALE</b> NTS	<b>DESIGN UNITS</b> METRIC	THIRD ANGLE PROJECTION
		mm	INCH																					
	4 PLACES	± ---	± ---																					
	3 PLACES	± ---	± ---																					
2 PLACES	± 0.20	± ---																						
1 PLACE	± ---	± ---																						
ANGULAR ± 3 °																								
DRAWN BY: YKOH CHECKED BY: CGTAN APPROVED BY: KCLING	DATE: 2007/04/26 DATE: 2007/06/05 DATE: 2007/06/05	<b>TITLE</b> SERIAL ATA PLUG RIGHT ANGLE SMT FOR 1.8 INCH SSD	<b>MATERIAL NO.</b> SEE TABLE	<b>DOCUMENT NO.</b> SD-78285-001	<b>MOLEX INCORPORATED</b>	SHEET NO. 3 OF 5																		
DRAFT WHERE APPLICABLE MUST REMAIN WITHIN DIMENSIONS	SIZE: A3	THIS DRAWING CONTAINS INFORMATION THAT IS PROPRIETARY TO MOLEX INCORPORATED AND SHOULD NOT BE USED WITHOUT WRITTEN PERMISSION																						

9 8 7 6 5 4 3 2 1



10 9 8 7 6 5 4 3 2 1



- NOTES:
- LEADER AND TRAILER TAPE
  - PEELING OFF FORCE OF THE TOP TAPE: 20 - 80gf. (PEELING DIRECTION AS SHOWN IN FOLLOWING FIGURE)
  - TAPE AND REEL SPECIFICATION IS AS PER EIA-481.
  - TAPE AND REEL QUANTITY : 750 PCS/ REEL.
  - THE TAPE IS TREATED FOR ANTI-STATIC.

ADD GATE LOCATION EC No. S2009-0894 DRAWN: JYONG CHK: KILIM APPR: BUKOK 2009/06/01 2009/06/01 2009/06/02	QUALITY SYMBOLS	GENERAL TOLERANCES (UNLESS SPECIFIED)	DIMENSION STYLE	SCALE	DESIGN UNITS	THIRD ANGLE PROJECTION
	▼=0 ▽=0	4 PLACES ± --- ± --- 3 PLACES ± --- ± --- 2 PLACES ± 0.20 ± --- 1 PLACE ± --- ± --- ANGULAR ± 3°	MM ONLY	NTS	METRIC	
	DRAWN BY: YKOH CHECKED BY: CGTAN APPROVED BY: KCLING DATE: 2007/04/26 DATE: 2007/06/05 DATE: 2007/06/05	MATERIAL NO. SEE TABLE	TITLE SERIAL ATA PLUG RIGHT ANGLE SMT FOR 1.8 INCH SSD	MOLEX INCORPORATED	DOCUMENT NO. SD-78285-001	SHEET NO. 5 OF 5
	DRAFT WHERE APPLICABLE MUST REMAIN WITHIN DIMENSIONS	SIZE A3	THIS DRAWING CONTAINS INFORMATION THAT IS PROPRIETARY TO MOLEX INCORPORATED AND SHOULD NOT BE USED WITHOUT WRITTEN PERMISSION			

9 8 7 6 5 4 3 2 1